


SIGN	DATE	DESCRIPTION	APPROVER
		<i>THIS IS CAD DRAWING, DO NOT REVISE MANUALLY!!!</i>	

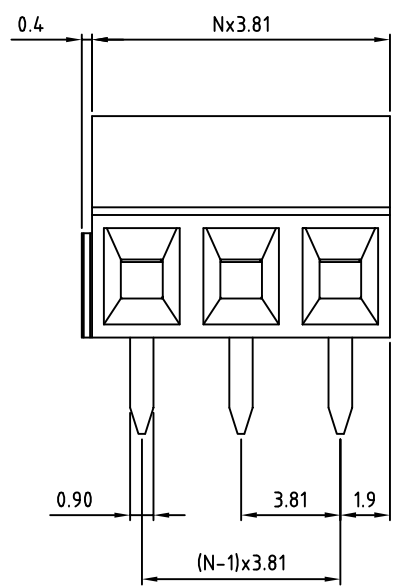
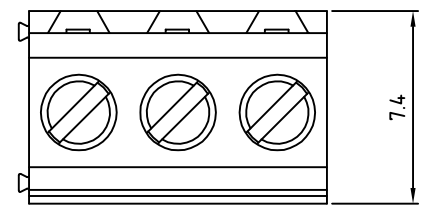
- Material**
- Terminal body
 - (metal housing): Brass(CuZn)
 - Terminal screw: Steel Zinc plating "-" slot type
 - Contacts: Brass
 - Surface of solder tail: Tin plated
 - Insulator (housing): Thermoplastic (UL94V-0)

- Electrical UL**
- Voltage rating: 150VAC
 - Current rating: 10A
 - Wire range:
 - Solid wire(AWG): 16-24
 - Stranded wire(AWG): 16-24
 - Torque(Lb-In): 1.7
 - Screw: M2
 - Wire strip length: 5-6mm
 - Withstanding Voltage: 1.3KV
 - Operating temperature: -30°C to +105°C
 - Soldering temperature: 250°C±10°C/5 Sec
 - Safety Approval: 

RoHS Compliant

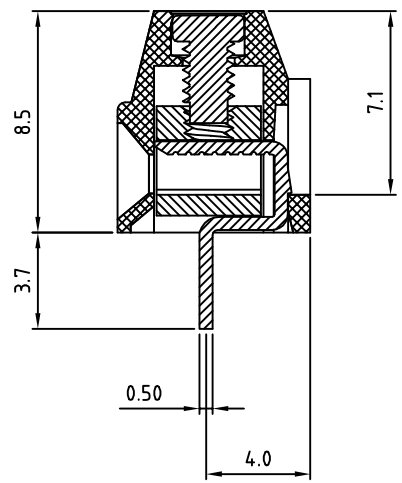
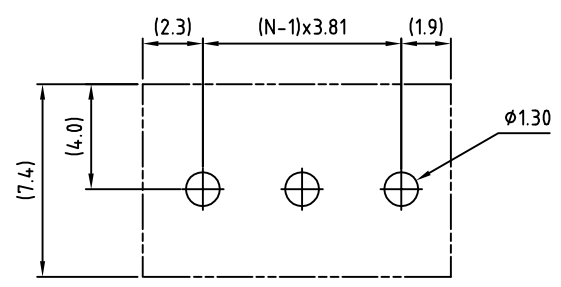
PART NUMBER:
OSTYOXX2150

- | | |
|--------------|---------------------|
| No. of Poles | COLOR |
| 02: 2 Poles | 0: Black |
| 03: 3 Poles | 5: Green (Standard) |
| ... | 6: Blue |
| 24 24 Poles | 8: Grey |




N=Number of poles

P.C.B. LAYOUT



THESE DRAWINGS AND SPECIFICATIONS ARE THE PROPERTY OF ON-SHORE TECHNOLOGY, INC. AND SHALL NOT BE REPRODUCED, COPIED OR USED IN ANY MANNER WITHOUT THE PRIOR WRITTEN CONSENT OF ON-SHORE TECHNOLOGY, INC.



TITLE		OSTYO 3.81mm series solid block 2p-24p			
PART NO.	OSTYOXX2150	DWG NO.	OSTYOXX2150.DWG		
APPROVED	CHECKED	DESIGNED	DRAWN	CUST NO.	Tolerance
Shi Jun	Shi Jun	xionghaitao	xionghaitao		X. ±0.50
2006.10.20	2006.10.20	2006.10.20	2006.10.20		X.X ±0.30
				SHEET: 01/01	X.XX ±0.10
					REV: E