

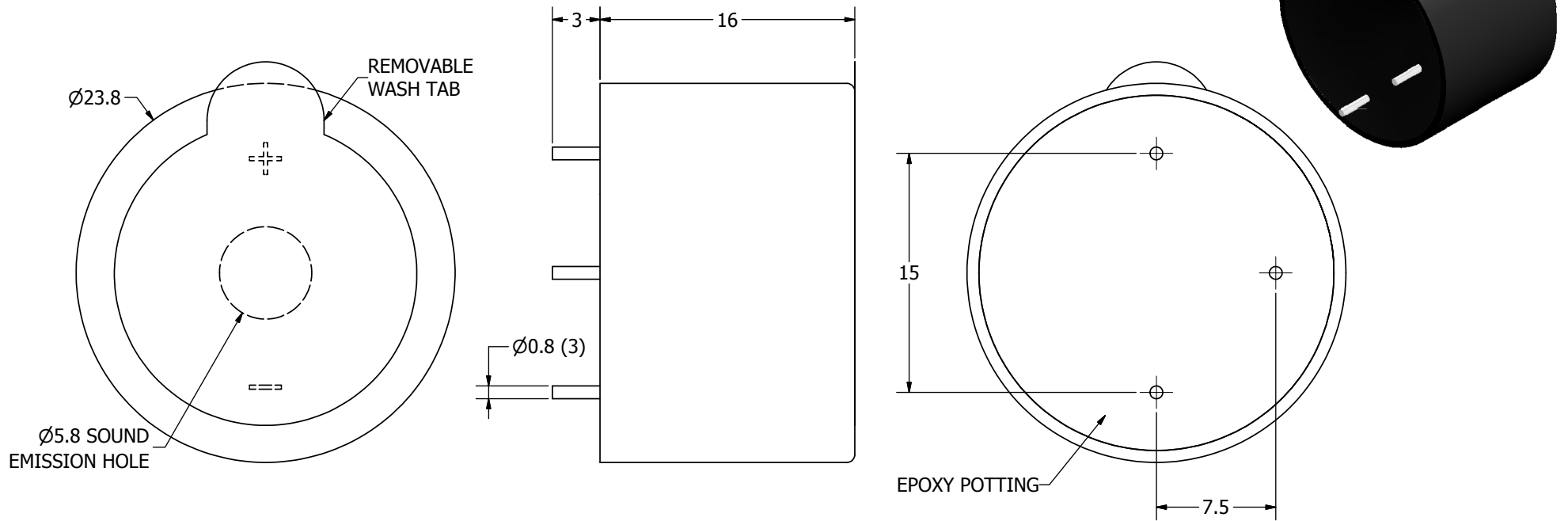
SPECIFICATIONS

| PARAMETERS | VALUES | UNITS |
|-------------------------|------------------|--------------|
| RATED VOLTAGE | 12 | Vdc |
| OPERATING VOLTAGE RANGE | 3 ~ 24 | Vdc |
| RATED CURRENT (MAX) | 7 | mA |
| MINIMUM SPL @ 10 CM | 90 | dBA |
| RESONANT FREQUENCY | 2,900 ± 500 | Hz |
| tone OR PULSE RATE | CONTINUOUS | 0 pulse /sec |
| OPERATING TEMPERATURE | -20 ~ +60 | °C |
| STORAGE TEMPERATURE | -20 ~ +70 | °C |
| HOUSING MATERIAL | ABS | - |
| TERMINAL MATERIAL | Sn PLATED COPPER | - |
| WEIGHT | 6 | grams |

THIS DOCUMENT CONTAINS DATA PROPRIETARY TO PROJECTS UNLIMITED, INC. ANY USE OR REPRODUCTION, IN ANY FORM, WITHOUT PRIOR WRITTEN PERMISSION OF PROJECTS UNLIMITED, INC. IS PROHIBITED.
©2003, Projects Unlimited Inc.


REVISION HISTORY

| LTR | DESCRIPTION | DATE | APPROVED |
|-----|--|-----------|----------|
| - | RELEASED FROM ENGINEERING | 8/9/2006 | |
| A | REVISED TO INVENTOR 3-D DRAWING TEMPLATE | 1/28/2008 | B.R. |



NOTES:

1. ALL DIMENSIONS ARE IN MILLIMETERS.
2. SPECIFICATIONS SUBJECT TO CHANGE OR WITHDRAWL WITHOUT NOTICE.
3. THIS PART IS RoHS 2002/95/EC COMPLIANT.

| | | | | | | | | | |
|--|-------------------|---|----------|------------|----------|-------------|----------|------------|-------|
| UNLESS OTHERWISE SPECIFIED: DIMENSIONS ARE IN MILLIMETERS, TOLERANCES ARE ±0.5 AND ANGLES ARE ±3°. | SIZE A3 | Designed by | Date | Checked by | Date | Approved by | Date | Drawn Date | |
| | | J.D. | 8/9/2006 | R.W. | 8/9/2006 | B.R. | 8/9/2006 | 1/28/2008 | |
| AI-2429-TWT-3P-R.idw | |  AI-2429-TWT-3P-R | | | | Indicator | | Edition | Sheet |
| | | | | | | | | - | 1 / 1 |