

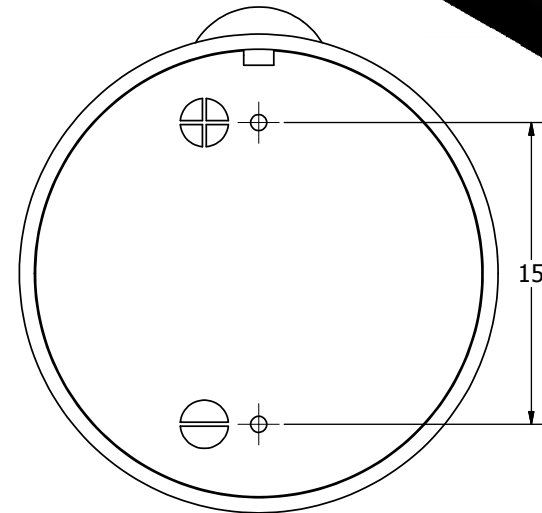
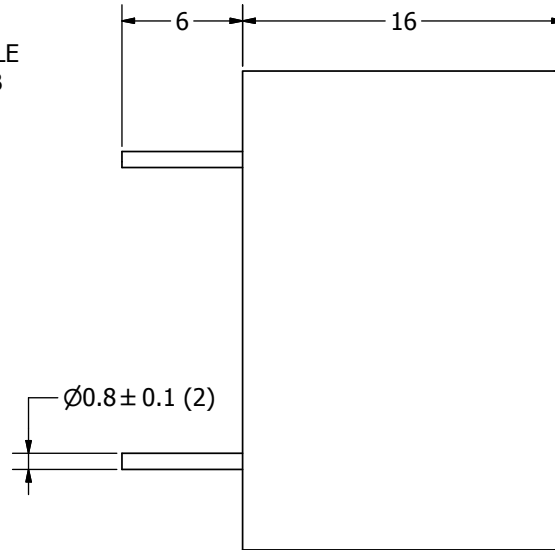
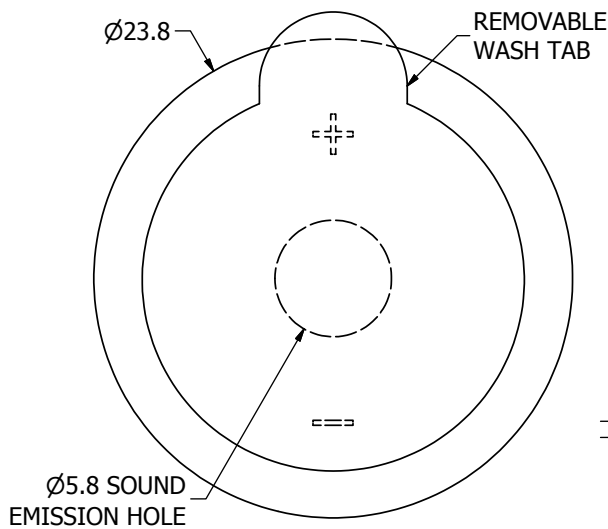
SPECIFICATIONS

| PARAMETERS | VALUES | UNITS |
|-------------------------|-------------------------|-------------|
| RATED VOLTAGE | 12 | Vdc |
| OPERATING VOLTAGE RANGE | 3 ~ 20 | Vdc |
| RATED CURRENT (MAX) | 8 | mA |
| MINIMUM SPL @ 10 CM | 100 | dBa |
| RESONANT FREQUENCY | 2,900 ± 500 | Hz |
| tone OR PULSE RATE | CONTINUOUS | 0 pulse/sec |
| OPERATING TEMPERATURE | -20 ~ +70 | °C |
| STORAGE TEMPERATURE | -40 ~ +80 | °C |
| HOUSING MATERIAL | ABS | - |
| TERMINAL MATERIAL | Sn PLATED RED COPPER | - |
| WEIGHT | 6 | grams |

THIS DOCUMENT CONTAINS DATA PROPRIETARY TO PROJECTS UNLIMITED, INC. ANY USE OR REPRODUCTION, IN ANY FORM, WITHOUT PRIOR WRITTEN PERMISSION OF PROJECTS UNLIMITED, INC. IS PROHIBITED.
©2003, Projects Unlimited Inc.

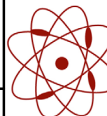
REVISION HISTORY

| LTR | DESCRIPTION | DATE | APPROVED |
|-----|--|-----------|----------|
| - | RELEASED FROM ENGINEERING | 8/19/2004 | |
| A | REMOVED LEAD FREE ADDED RoHS | 8/10/2005 | |
| B | REVISED TO INVENTOR 3-D DRAWING TEMPLATE | 1/28/2008 | B.R. |
| C | REVISED TERMINAL MATERIAL | 2/7/2011 | M.L. |



NOTES:

1. ALL DIMENSIONS ARE IN MILLIMETERS.
2. SPECIFICATIONS SUBJECT TO CHANGE OR WITHDRAWAL WITHOUT NOTICE.
3. THIS PART IS RoHS 2002/95/EC COMPLIANT.

| | | | | | | | | |
|--|------|--|-----------|-----------------------------------|------|-------------|-----------|------------|
| UNLESS OTHERWISE SPECIFIED: DIMENSIONS ARE IN MILLIMETERS, TOLERANCES ARE ±0.5 AND ANGLES ARE ±3°. | SIZE | Designed by | Date | Checked by | Date | Approved by | Date | Drawn Date |
| | A3 | R.A.C. | 8/19/2004 | | | R.W. | 8/19/2004 | 1/28/2008 |
| AI-2429-TWT-R.idw | |  pui audio a projects unlimited company | | AI-2429-TWT-R Indicator | | | Edition | Sheet |
| | | | | | | | - | 1 / 1 |