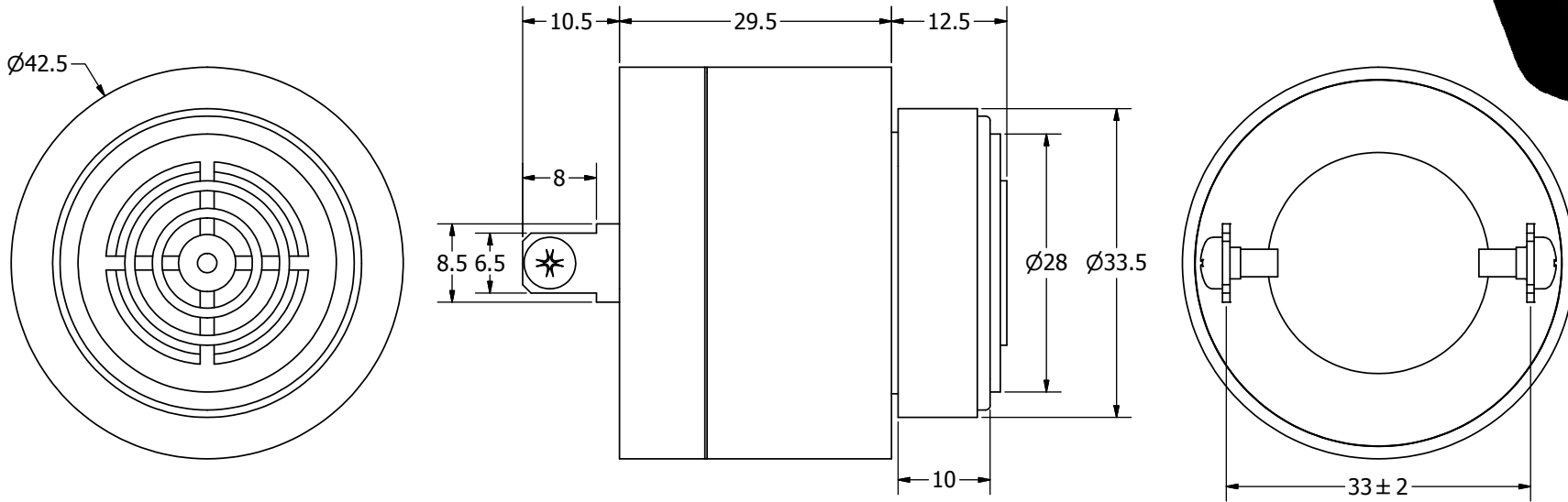
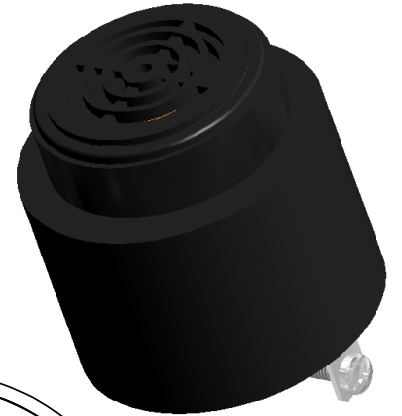


SPECIFICATIONS		
PARAMETERS	VALUES	UNITS
RATED VOLTAGE	220	Vac
OPERATING VOLTAGE RANGE	60 ~ 250	Vac/Vdc
RATED CURRENT (MAX)	18	mA
MINIMUM SPL @ 10 CM	94	dBa
RESONANT FREQUENCY	2,800 ± 500	Hz
TONE OR PULSE RATE	CONTINUOUS	0 pulse /sec
OPERATING TEMPERATURE	-30 ~ +85	°C
STORAGE TEMPERATURE	-40 ~ +85	°C
HOUSING MATERIAL	NYLON	-
TERMINAL MATERIAL	Sn PLATED BRONZE	-
WEIGHT	60	grams

THIS DOCUMENT CONTAINS DATA PROPRIETARY TO PROJECTS UNLIMITED, INC. ANY USE OR REPRODUCTION, IN ANY FORM, WITHOUT PRIOR WRITTEN PERMISSION OF PROJECTS UNLIMITED, INC. IS PROHIBITED.  
©2003, Projects Unlimited Inc.

REVISION HISTORY			
LTR	DESCRIPTION	DATE	APPROVED
-	RELEASED FROM ENGINEERING	6/21/2006	
A	REVISED TO INVENTOR 3-D DRAWING TEMPLATE	2/27/2008	B.R.



**NOTES:**

1. ALL DIMENSIONS ARE IN MILLIMETERS.
2. SPECIFICATIONS SUBJECT TO CHANGE OR WITHDRAWL WITHOUT NOTICE.
3. THIS PART IS RoHS 2002/95/EC COMPLIANT.



UNLESS OTHERWISE SPECIFIED:  
DIMENSIONS ARE IN MILLIMETERS,  
TOLERANCES ARE ±0.5 AND ANGLES ARE ±3°.

AI-4228-P-C250-R.idw

SIZE  
**A3**

Designed by	Date	Checked by	Date	Approved by	Date	Drawn Date
J.D.	6/21/2006	E.P.	6/21/2006	B.R.	6/21/2006	2/27/2008



**AI-4228-P-C250-R**

**UL Indicator**

Edition	Sheet
-	1 / 1