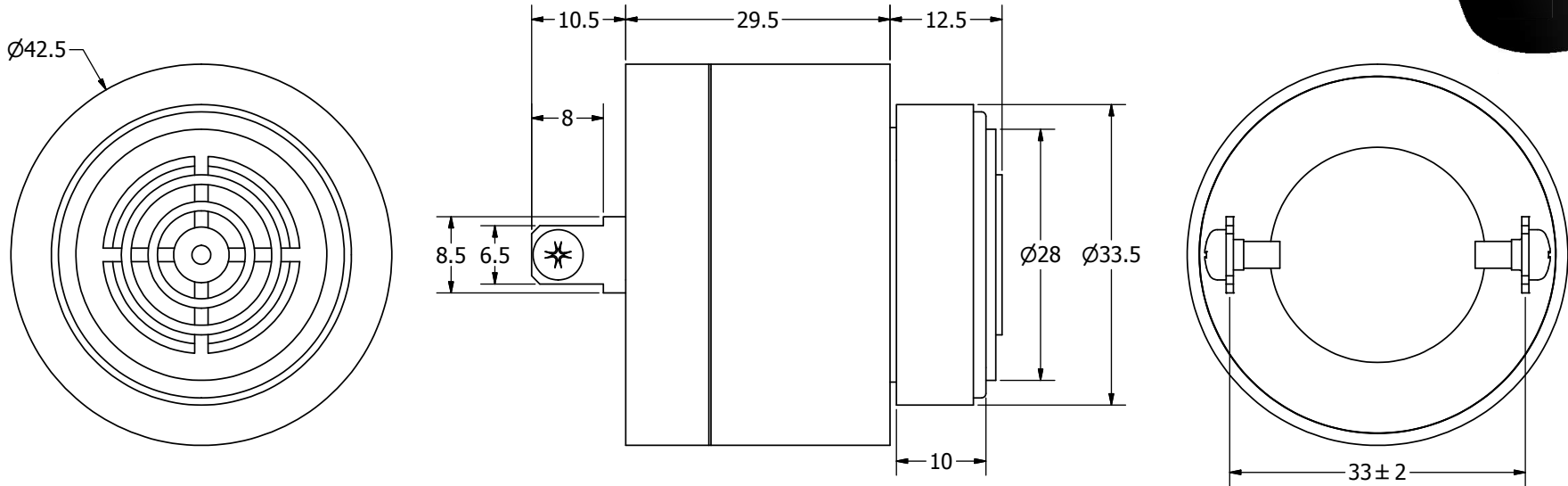


SPECIFICATIONS		
PARAMETERS	VALUES	UNITS
RATED VOLTAGE	220	Vdc
OPERATING VOLTAGE RANGE	60 ~ 250	Vac/Vdc
RATED CURRENT (MAX)	18	mA
MINIMUM SPL @ 10 CM	94	dba
RESONANT FREQUENCY	2,800 ± 500	Hz
TONE OR PULSE RATE	SLOW PULSE	1.2 pulse /sec
OPERATING TEMPERATURE	-30 ~ +85	°C
STORAGE TEMPERATURE	-40 ~ +85	°C
HOUSING MATERIAL	NYLON	-
TERMINAL MATERIAL	Sn PLATED BRONZE	-
WEIGHT	63	grams



THIS DOCUMENT CONTAINS DATA PROPRIETARY TO PROJECTS UNLIMITED, INC. ANY USE OR REPRODUCTION, IN ANY FORM, WITHOUT PRIOR WRITTEN PERMISSION OF PROJECTS UNLIMITED, INC. IS PROHIBITED.
©2003, Projects Unlimited Inc.

REVISION HISTORY			
LTR	DESCRIPTION	DATE	APPROVED
-	RELEASED FROM ENGINEERING	7/10/2006	
A	REVISED TO INVENTOR 3-D DRAWING TEMPLATE	2/29/2008	B.R.



NOTES:

1. ALL DIMENSIONS ARE IN MILLIMETERS.
2. SPECIFICATIONS SUBJECT TO CHANGE OR WITHDRAWL WITHOUT NOTICE.
3. THIS PART IS RoHS 2002/95/EC COMPLIANT.

 THIS PART IS UL RECOGNIZED IN THE US AND CANADA	UNLESS OTHERWISE SPECIFIED: DIMENSIONS ARE IN MILLIMETERS, TOLERANCES ARE ±0.5 AND ANGLES ARE ±3°.	Designed by	Date	Checked by	Date	Approved by	Date	Drawn Date	
		J.D.	7/10/2006	E.P.	7/10/2007	B.R.	7/10/2007	2/29/2008	
SIZE A3				AI-4228-P-SP250-R					
AI-4228-P-SP250-R.idw				UL Indicator				Edition -	Sheet 1 / 1