

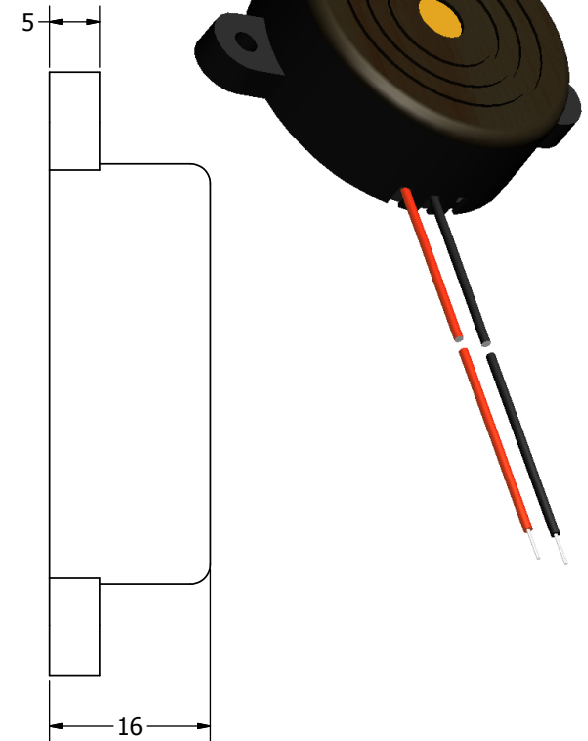
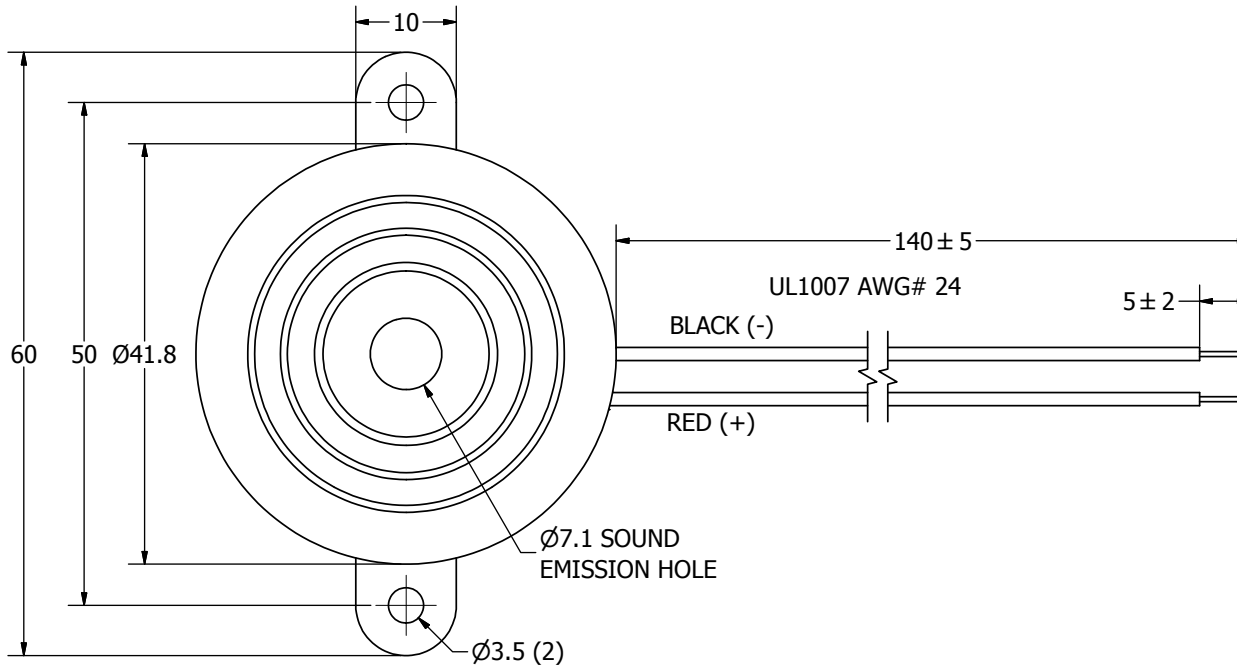
SPECIFICATIONS

PARAMETERS	VALUES	UNITS
RATED VOLTAGE	12	Vdc
OPERATING VOLTAGE RANGE	3 ~ 20	Vdc
RATED CURRENT (MAX)	10	mA
MINIMUM SPL @ 10 CM	105	dBA
RESONANT FREQUENCY	2,800 ± 500	Hz
TONE OR PULSE RATE	CONTINUOUS	0 pulse /sec
OPERATING TEMPERATURE	-20 ~ +60	°C
STORAGE TEMPERATURE	-30 ~ +70	°C
HOUSING MATERIAL	ABS	-
TERMINAL MATERIAL	LEAD WIRE	-
WEIGHT	12	grams

THIS DOCUMENT CONTAINS DATA PROPRIETARY TO PROJECTS UNLIMITED, INC. ANY USE OR REPRODUCTION, IN ANY FORM, WITHOUT PRIOR WRITTEN PERMISSION OF PROJECTS UNLIMITED, INC. IS PROHIBITED.
©2003, Projects Unlimited Inc.

REVISION HISTORY

LTR	DESCRIPTION	DATE	APPROVED
-	RELEASED FROM ENGINEERING	8/16/2004	
A	REVISED PART No. AND DIMENSIONS	8/26/2004	R.W.
B	REMOVED LEAD FREE ADDED RoHS NOTE	8/10/2005	B.R.
C	REVISED WIRE LENGTH FROM 215 TO 140	10/31/2005	B.R.
D	REVISED TO INVENTOR 3-D DRAWING TEMPLATE	3/05/2008	B.R.



NOTES:

- ALL DIMENSIONS ARE IN MILLIMETERS.
- SPECIFICATIONS SUBJECT TO CHANGE OR WITHDRAWAL WITHOUT NOTICE.
- THIS PART IS RoHS 2002/95/EC COMPLIANT.

UNLESS OTHERWISE SPECIFIED: DIMENSIONS ARE IN MILLIMETERS, TOLERANCES ARE ±0.5 AND ANGLES ARE ±3°.	SIZE A3	Designed by	Date	Checked by	Date	Approved by	Date	Drawn Date
		R.A.C.	8/16/2004			R.W.	8/16/2004	3/3/2008
AI-4228-TF-LW140-R.idw						AI-4228-TF-LW140-R		
						Indicator		
					-	1 / 1		