

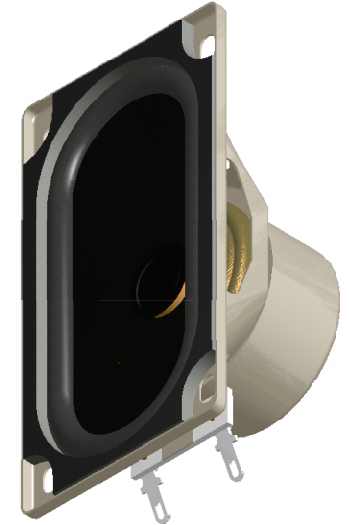
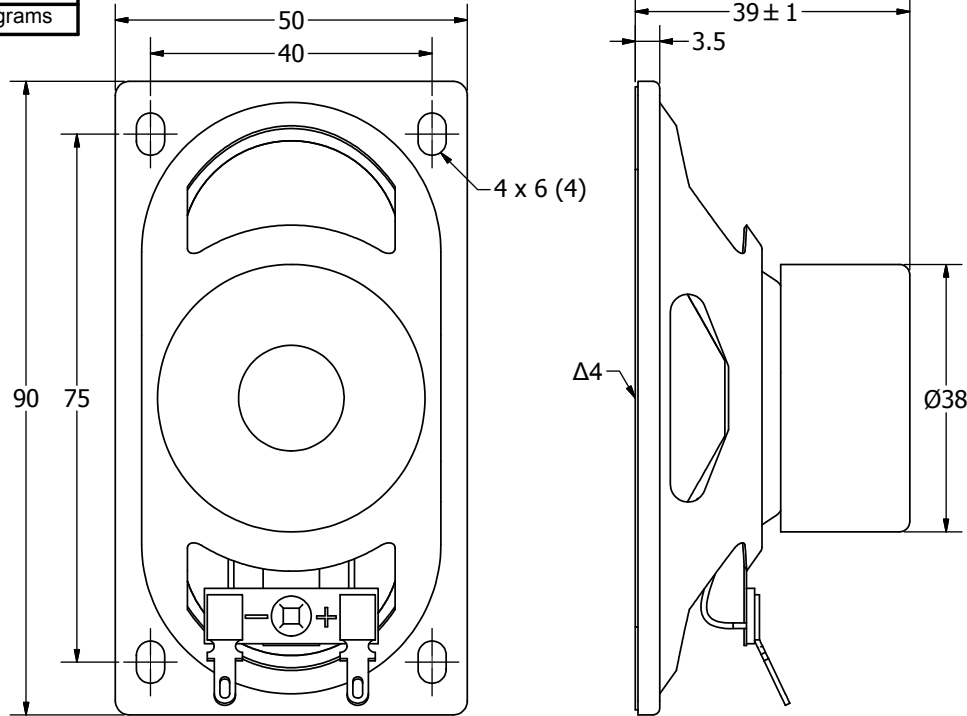
SPECIFICATIONS

PARAMETERS	VALUES	UNITS
RATED INPUT POWER	5	W
MAX INPUT POWER	8	W
IMPEDANCE	8 ± 15%	OHM
OUTPUT SPL @ 1W/0.5M (AT 0.6, 0.8, 1.0, 1.2 kHz)	86 ± 3	dBA
DISTORTION (MAX.)	5%	-
RESONANT FREQUENCY	240 ± 20%	Hz
FREQUENCY RANGE	240 ~ 18,000	Hz
HOUSING MATERIAL	METAL	-
CONE MATERIAL	TREATED PAPER	-
MAGNET MATERIAL	FERRITE	-
OPERATING TEMPERATURE	-25 ~ +70	°C
WEIGHT	128.44	grams

THIS DOCUMENT CONTAINS DATA PROPRIETARY TO PROJECTS UNLIMITED, INC. ANY USE OR REPRODUCTION, IN ANY FORM, WITHOUT PRIOR WRITTEN PERMISSION OF PROJECTS UNLIMITED, INC. IS PROHIBITED.
©2003, Projects Unlimited Inc.

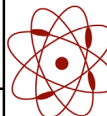
REVISION HISTORY

LTR	DESCRIPTION	DATE	APPROVED
-	RELEASED FROM ENGINEERING	8/16/2005	
A	REVISED MAGNET DIAMETER	12/19/2007	R.W.
B	REVISED HEIGHT & HOLE DIMENSIONS	1/29/2009	B.R.
C	REVISED TO INVENTOR 3-D DRAWING TEMPLATE	1/29/2009	B.R.
D	ADDED NOTE 5	8/12/2011	B.R.
E	REVISED OPERATING TEMPERATURE	2/9/2012	C.W.



NOTES:

1. ALL DIMENSIONS ARE IN MILLIMETERS.
2. SPECIFICATIONS SUBJECT TO CHANGE OR WITHDRAWAL WITHOUT NOTICE.
3. THIS PART IS RoHS 2002/95/EC COMPLIANT.
- Δ4. CONE HAS BEEN TREATED FOR WATER RESISTANCE.
5. BASE SPEAKER PUI# AS09008PO-2-R.

UNLESS OTHERWISE SPECIFIED: DIMENSIONS ARE IN MILLIMETERS, TOLERANCES ARE ±0.5 AND ANGLES ARE ±3°.	SIZE	Designed by	Date	Checked by	Date	Approved by	Date	Drawn Date	
	A3	J.A.F.	8/16/2005	B.R.	8/16/2005	E.P.	8/16/2005	1/29/2009	
AS09008PO-2-WR-R.idw	 pui audio <small>a projects unlimited company</small>		AS09008PO-2-WR-R			Speaker		Edition -	Sheet 1 / 1