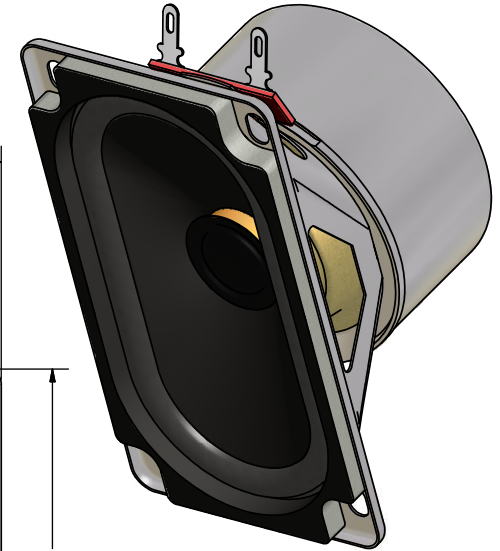
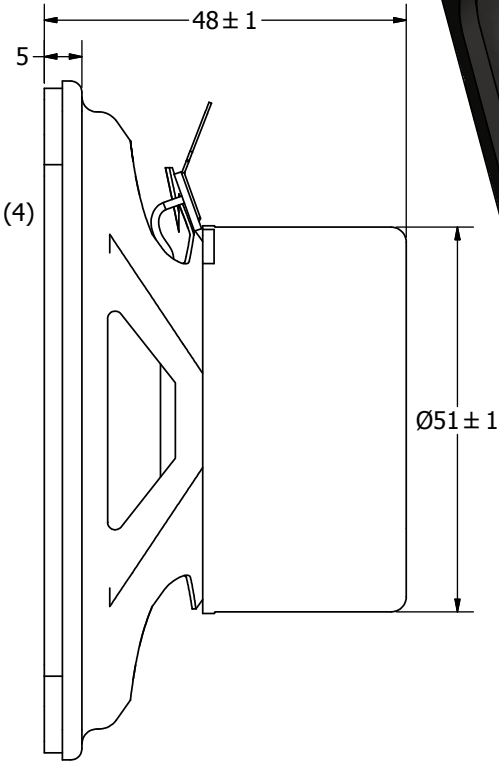
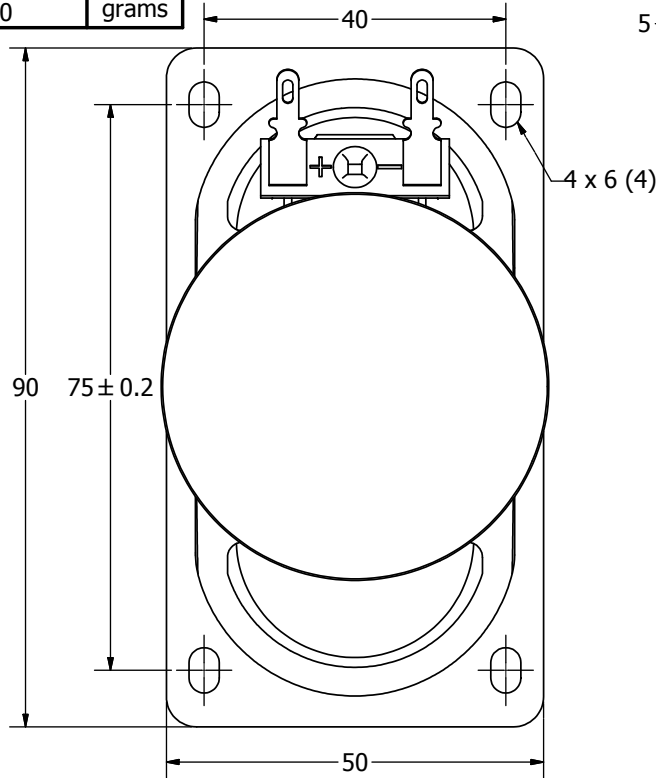


SPECIFICATIONS		
PARAMETERS	VALUES	UNITS
RATED INPUT POWER	5	W
MAX INPUT POWER	7	W
IMPEDANCE	$8 \pm 15\%$	OHM
OUTPUT SPL @ 1W/1M	88 ± 3	dB(A)
DISTORTION (MAX.)	7%	-
RESONANT FREQUENCY	$180 \pm 20\%$	Hz
FREQUENCY RANGE	180 ~ 15,000	Hz
HOUSING MATERIAL	METAL	-
CONE MATERIAL	PAPER	-
MAGNET MATERIAL	FERRITE	-
OPERATING TEMPERATURE	-10 ~ +55	°C
WEIGHT	220	grams


THIS DOCUMENT CONTAINS DATA PROPRIETARY TO PROJECTS UNLIMITED, INC. ANY USE OR REPRODUCTION, IN ANY FORM, WITHOUT PRIOR WRITTEN PERMISSION OF PROJECTS UNLIMITED, INC. IS PROHIBITED.
©2003, Projects Unlimited Inc.

REVISION HISTORY			
LTR	DESCRIPTION	DATE	APPROVED
-	RELEASED FROM ENGINEERING	9/29/2004	
A	REVISION TO IMPEDANCE AND OUTPUT SPL	9/30/2004	R.W.
B	REVISED TO INVENTOR 3-D DRAWING TEMPLATE	2/02/2009	B.R.



NOTES:

1. ALL DIMENSIONS ARE IN MILLIMETERS.
2. SPECIFICATIONS SUBJECT TO CHANGE OR WITHDRAWAL WITHOUT NOTICE.
3. THIS PART IS RoHS 2002/95/EC COMPLIANT.

UNLESS OTHERWISE SPECIFIED: DIMENSIONS ARE IN MILLIMETERS, TOLERANCES ARE ±0.5 AND ANGLES ARE ±3°.	SIZE	Designed by	Date	Checked by	Date	Approved by	Date	Drawn Date	
	A3	J.D.	9/29/2004	B.R.	9/29/2004	R.W.	9/29/2004	2/2/2009	
		AS09008PO-R-idw						AS09008PO-R	
						Speaker		Edition	Sheet
								-	1 / 1