

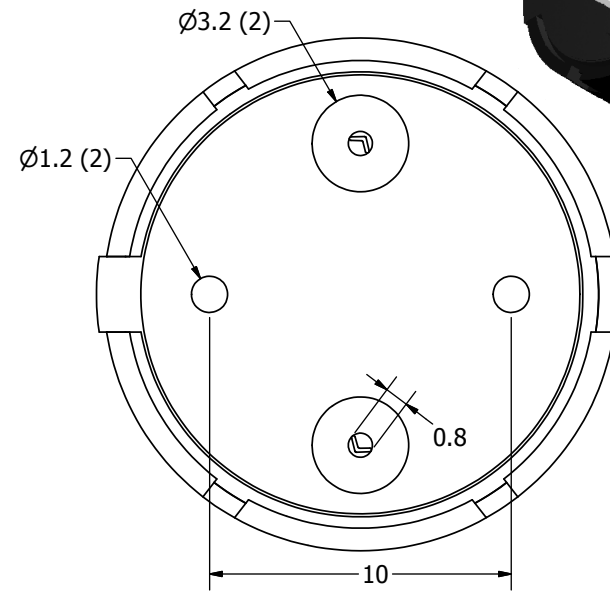
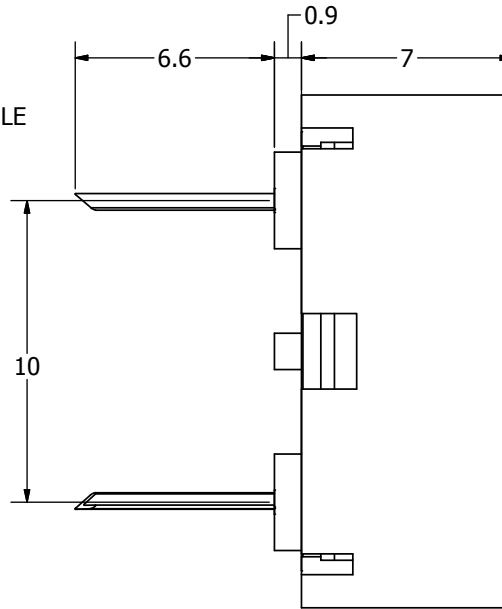
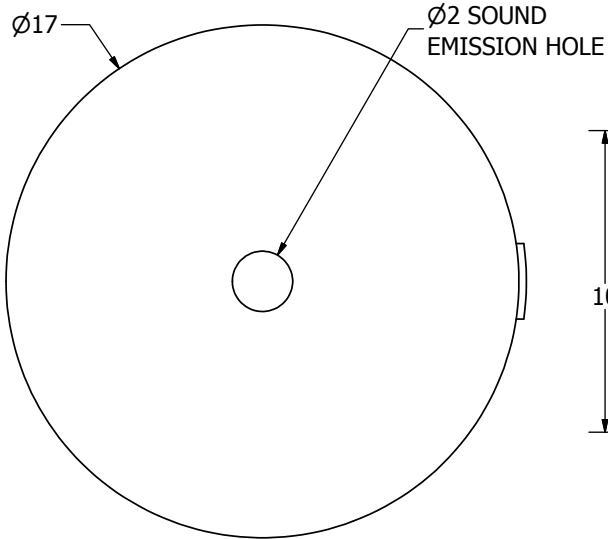
SPECIFICATIONS

| PARAMETERS | VALUES | UNITS |
|-------------------------|-----------------|-------|
| RATED VOLTAGE | 5 | Vp-p |
| OPERATING VOLTAGE RANGE | 1 ~ 30 | Vp-p |
| RATED CURRENT (MAX) | 1 | mA |
| CAPACITANCE | 15,000 ± 30% | pF |
| MINIMUM SPL @ 10 CM | 78 | dB |
| RESONANT FREQUENCY | 4,000 ± 500 | Hz |
| OPERATING TEMPERATURE | -20 ~ +70 | °C |
| STORAGE TEMPERATURE | -30 ~ +80 | °C |
| HOUSING MATERIAL | NORYL | - |
| TERMINAL MATERIAL | PHOSPHER BRONZE | - |
| WEIGHT | 1 | grams |

THIS DOCUMENT CONTAINS DATA PROPRIETARY TO PROJECTS UNLIMITED, INC. ANY USE OR REPRODUCTION, IN ANY FORM, WITHOUT PRIOR WRITTEN PERMISSION OF PROJECTS UNLIMITED, INC. IS PROHIBITED.
©2003, Projects Unlimited Inc.


REVISION HISTORY

| LTR | DESCRIPTION | DATE | APPROVED |
|-----|--|------------|----------|
| - | RELEASED FROM ENGINEERING | 11/12/2004 | |
| A | REVISED NOTES | 11/17/2004 | B.R. |
| B | REMOVED LEAD FREE ADDED RoHS NOTE | 8/10/2005 | |
| C | REVISED DRAWING TO MATCH SPECIFICATIONS | 11/4/2005 | R.W. |
| D | REVISED TO INVENTOR 3-D DRAWING TEMPLATE | 4/30/2008 | B.R. |



NOTES:

1. ALL DIMENSIONS ARE IN MILLIMETERS.
2. SPECIFICATIONS SUBJECT TO CHANGE OR WITHDRAWL WITHOUT NOTICE.
3. THIS PART IS RoHS 2002/95/EC COMPLIANT.

| | | | | | | | | |
|--|------|---|------------|------------|-----------------------|-------------|------------|------------|
| UNLESS OTHERWISE SPECIFIED: DIMENSIONS ARE IN MILLIMETERS, TOLERANCES ARE ±0.5 AND ANGLES ARE ±3°. | SIZE | Designed by | Date | Checked by | Date | Approved by | Date | Drawn Date |
| | A3 | R.A.C. | 11/12/2007 | E.P. | 11/12/2007 | B.R. | 11/12/2007 | 4/30/2008 |
| AT-1740-TT-R.idw | |  pui audio <small>a projects unlimited company</small> | | | <h2>AT-1740-TT-R</h2> | | | |
| | | Transducer (Piezo) | | | Edition | Sheet | | |
| | | | | | - | 1 / 1 | | |