

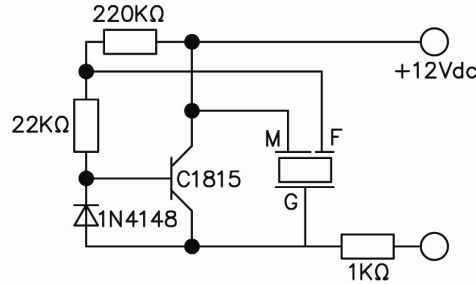
SPECIFICATIONS

PARAMETERS	VALUES	UNIT
RATED VOLTAGE	12	Vp-p
OPERATING VOLTAGE RANGE	3 ~ 24	Vp-p
RATED CURRENT (MAX)	8	mA
MINIMUM SPL @ 10 CM	85	dBA
RESONANT FREQUENCY	2,000 ± 500	Hz
OPERATING TEMPERATURE	-20 ~ +60	°C
STORAGE TEMPERATURE	-30 ~ +70	°C
HOUSING MATERIAL	PPO	-
TERMINAL MATERIAL	Sn PLATED COPPER	-
WEIGHT	4.2	grams

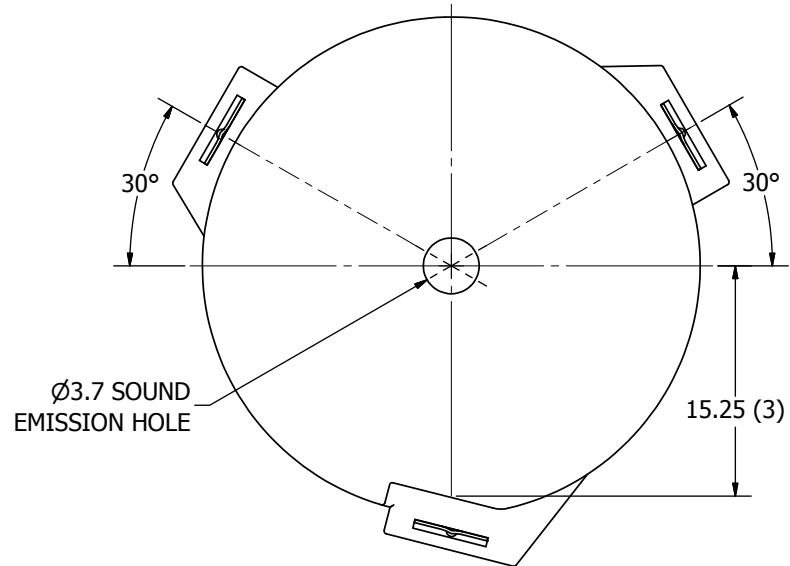
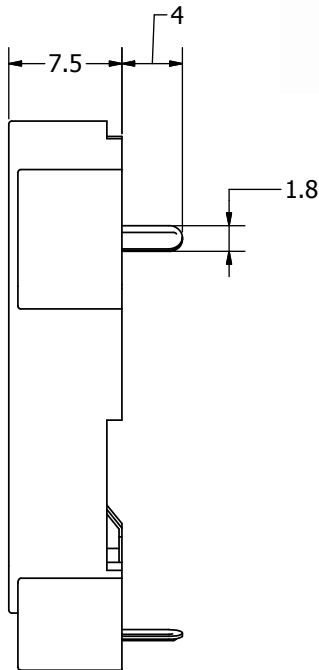
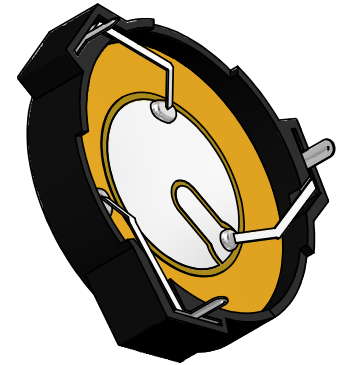
THIS DOCUMENT CONTAINS DATA PROPRIETARY TO PROJECTS UNLIMITED, INC. ANY USE OR REPRODUCTION, IN ANY FORM, WITHOUT PRIOR WRITTEN PERMISSION OF PROJECTS UNLIMITED, INC. IS PROHIBITED.
©2003, Projects Unlimited Inc.

REVISION HISTORY

LTR	DESCRIPTION	DATE	APPROVED
-	RELEASED FROM ENGINEERING	7/05/2006	
A	REVISED TO INVENTOR 3-D DRAWING TEMPLATE	9/02/2008	B.R.



DRIVE CIRCUIT



NOTES:

1. ALL DIMENSIONS ARE IN MILLIMETERS.
2. SPECIFICATIONS SUBJECT TO CHANGE OR WITHDRAWL WITHOUT NOTICE.
3. THIS PART IS RoHS 2002/95/EC COMPLIANT.

UNLESS OTHERWISE SPECIFIED: DIMENSIONS ARE IN MILLIMETERS, TOLERANCES ARE ±0.5 AND ANGLES ARE ±3°.	SIZE A3	Designed by	Date	Checked by	Date	Approved by	Date	Drawn Date	
		J.D.	7/5/2006	E.P.	7/5/2006	B.R.	7/5/2006	9/2/2008	
AT-3320-TT-R.idw		<p>pui audio A Division of Projects Unlimited</p>				<h1>AT-3320-TT-R</h1> <h2>Transducer (Piezo)</h2>		Edition	Sheet
								-	1 / 1