

SPECIFICATIONS

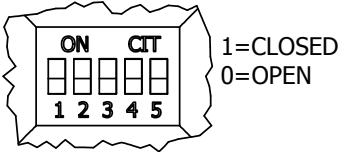
PARAMETERS	VALUES	UNITS
RATED VOLTAGE	12	Vdc
OPERATING VOLTAGE RANGE	9 ~ 18	Vdc
TONE OUTPUT	SEE 32 TONE CHART	-
CURRENT CONSUMPTION (NOMINAL)	SEE 32 TONE CHART	mA
INGRESS PROTECTION	IP54	-
LENS COLOR	RED	-
FLASH RATE	1	PER/SECOND
CASE MATERIAL/COLOR	ABS/RED	-
TERMINAL	SCREW	-
OPERATING TEMPERATURE	-10 ~ +55	°C
WEIGHT	300	grams

THIS DOCUMENT CONTAINS DATA PROPRIETARY TO PROJECTS UNLIMITED, INC. ANY USE OR REPRODUCTION, IN ANY FORM, WITHOUT PRIOR WRITTEN PERMISSION OF PROJECTS UNLIMITED, INC. IS PROHIBITED.
©2003, Projects Unlimited Inc.

REVISION HISTORY

LTR	DESCRIPTION	DATE	APPROVED
-	RELEASED FROM ENGINEERING	12/15/2005	
A	ADDED RoHS & BASE NOTES	5/21/2007	R.W.
B	REVISED DETAIL "A" DIL SWITCH	3/12/2009	B.R.
C	REVISED TO INVENTOR 3-D DRAWING TEMPLATE	5/17/2010	B.R.

DETAIL "A"



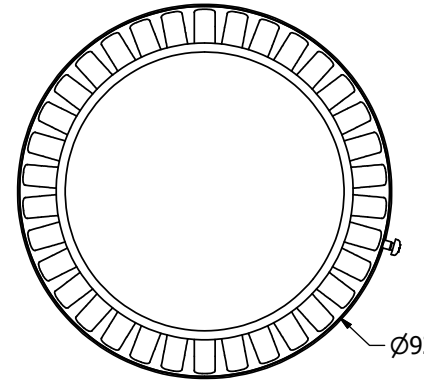
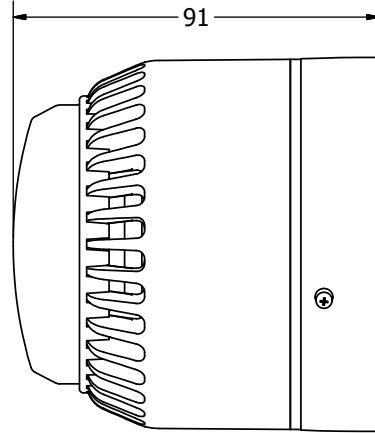
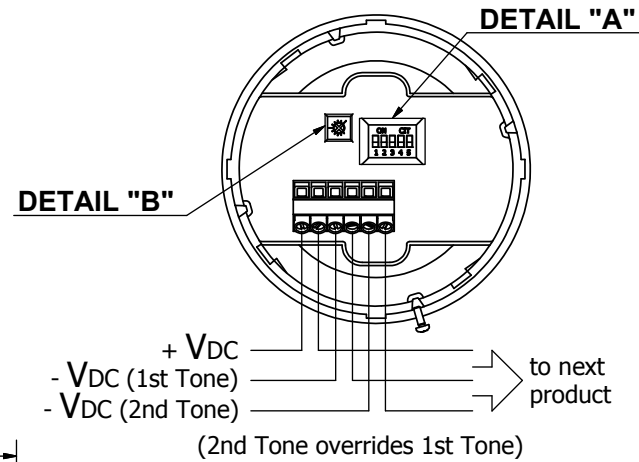
DETAIL "B" VOLUME CONTROL



OPTIONAL BASES
DEEP BASE: AWA-DBR
U BASE: AWA-UBR
120Vac BASE: AWA-DBR-120

NOTES:

1. ALL DIMENSIONS ARE IN MILLIMETERS.
2. SPECIFICATIONS SUBJECT TO CHANGE OR WITHDRAWAL WITHOUT NOTICE.
3. THIS PART IS RoHS 2002/95/EC COMPLIANT.
4. IP65 WITH USE OF AWA-DBR, AWA-DBR-120, OR AWA-UBR BASE.



UNLESS OTHERWISE SPECIFIED: DIMENSIONS ARE IN MILLIMETERS, TOLERANCES ARE ±0.5 AND ANGLES ARE ±3°.	SIZE	Designed by	Date	Checked by	Date	Approved by	Date	Drawn Date	
	A3	J.A.F.	12/15/2005	E.P.	12/15/2005	B.R.	12/15/2005	5/17/2010	
AVW-15SBR-RL-12.idw		AVW-15SBR-RL-12				Siren		Edition	Sheet
								-	1 / 1