
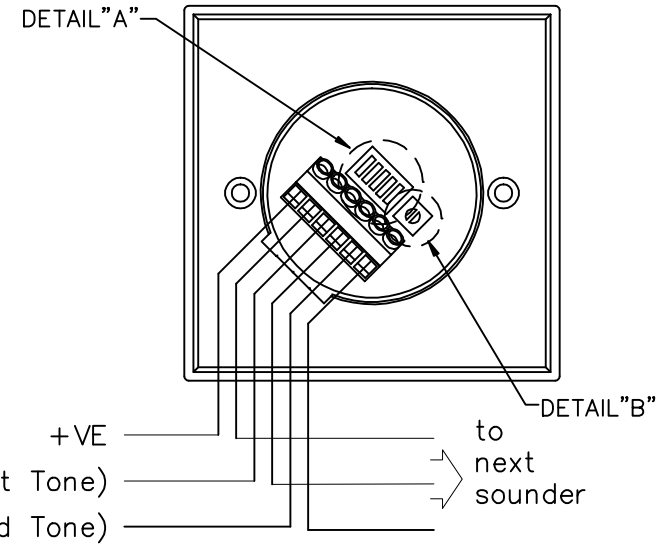
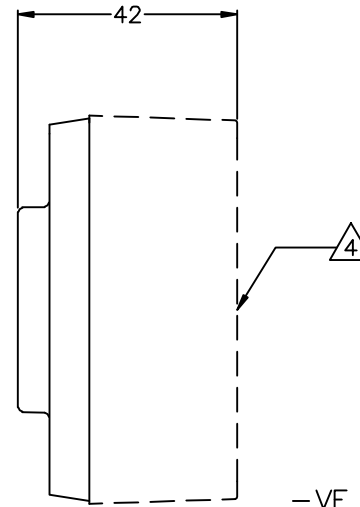
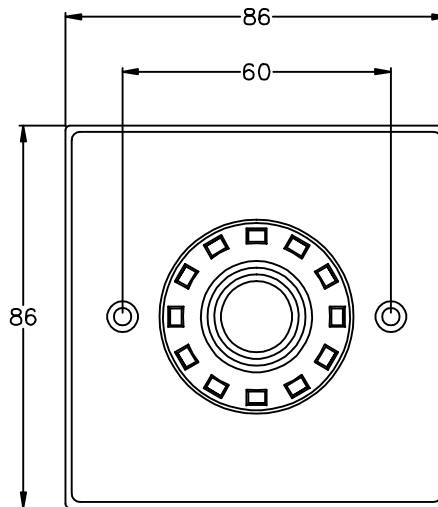
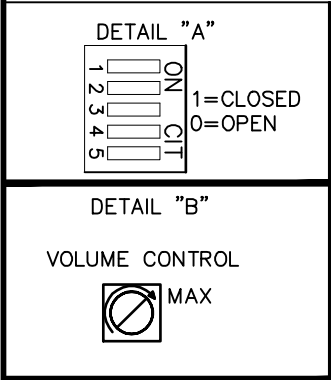


THIS DOCUMENT CONTAINS DATA PROPRIETARY TO PROJECTS UNLIMITED, INC. ANY USE OR REPRODUCTION, IN ANY FORM, WITHOUT PRIOR WRITTEN PERMISSION OF PROJECTS UNLIMITED, INC. IS PROHIBITED.
 ©2005, Projects Unlimited Inc.

SPECIFICATIONS

PARAMETERS	VALUES	UNITS
RATED VOLTAGE	24	Vdc
OPERATING VOLTAGE RANGE	9 ~ 28	Vdc
tone OUTPUT	SEE 32 TONE CHART	-
RATED CURRENT	18	mA
INGRESS PROTECTION	IP33 	-
COLOR	RED	-
OPERATING TEMPERATURE	-25 ~ +70	°C
HOUSING MATERIAL	ABS	-
TERMINAL	SCREW	-
WEIGHT	109	grams

REVISIONS			
LTR	DESCRIPTION	DATE	APPROVED
-	RELEASED FROM ENGINEERING	9/7/06	
A	ADDED RoHS & BASE NOTES	5/21/07	R.W.
B	REVISED DETAIL "A" DIL SWITCH	3/12/09	B.R.



NOTES:

- ALL DIMENSIONS ARE IN MILLIMETERS.
- SPECIFICATION SUBJECT TO CHANGE OR WITHDRAWAL WITHOUT NOTICE.
- THIS PART IS RoHS 2002/95/EC COMPLIANT.
- IP54 WITH BACK BOX.

FILE NAME
AW-10CSR.DWG

UNLESS OTHERWISE SPECIFIED:
DIMENSIONS ARE IN MILLIMETERS, TOLERANCES ARE ±0.5 AND ANGLES ARE ±3°.

APPROVALS	DATE
DRAWN J.D.	9/06
CHECKED R.W.	9/06
APPROVED B.R.	9/06

 projects unlimited Dayton, Ohio

SIREN

SIZE A DRAWING NO. AW-10CSR

DO NOT SCALE DRAWING

SCALE: N.T.S.

SHEET 1 OF 1