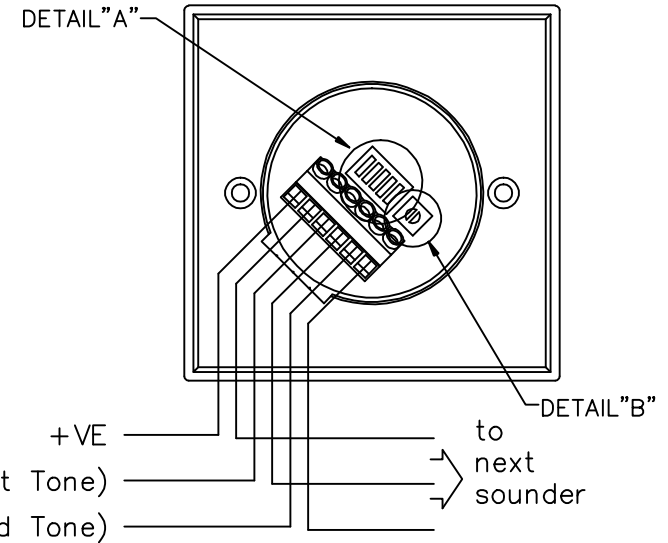
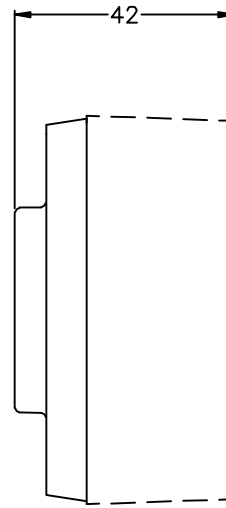
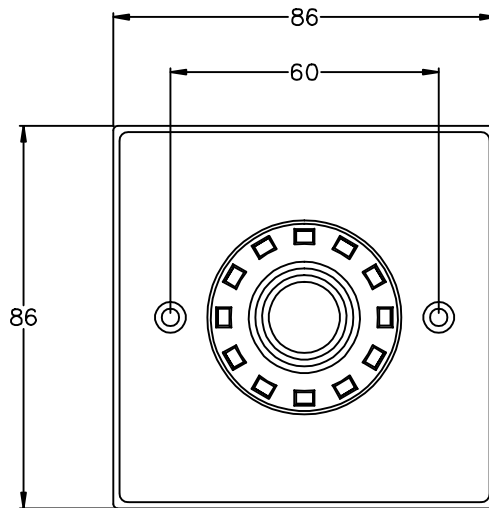
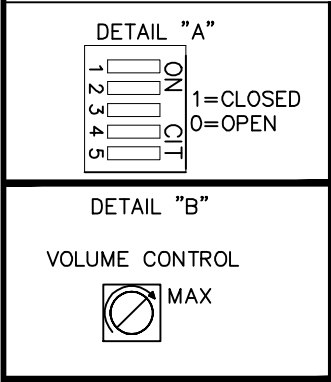


THIS DOCUMENT CONTAINS DATA PROPRIETARY TO PROJECTS UNLIMITED, INC. ANY USE OR REPRODUCTION, IN ANY FORM, WITHOUT PRIOR WRITTEN PERMISSION OF PROJECTS UNLIMITED, INC. IS PROHIBITED.  
 ©2005, Projects Unlimited Inc.

### SPECIFICATIONS

PARAMETERS	VALUES	UNITS
RATED VOLTAGE	24	Vdc
OPERATING VOLTAGE RANGE	9 ~ 28	Vdc
tone OUTPUT	SEE 32 TONE CHART	-
RATED CURRENT	18	mA
INGRESS PROTECTION	IP33	-
COLOR	WHITE	-
OPERATING TEMPERATURE	-25 ~ +70	°C
HOUSING MATERIAL	ABS	-
TERMINAL	SCREW	-
WEIGHT	109	grams

REVISIONS			
LTR	DESCRIPTION	DATE	APPROVED
-	RELEASED FROM ENGINEERING	9/7/06	
A	ADDED NOTE 4	5/21/07	R.W.
B	REVISED DETAIL "A" DIL SWITCH	3/12/09	R.W.



**NOTES:**

- ALL DIMENSIONS ARE IN MILLIMETERS.
- SPECIFICATION SUBJECT TO CHANGE OR WITHDRAWAL WITHOUT NOTICE.
- THIS PART IS RoHS 2002/95/EC COMPLIANT.
- IP54 WITH BACK BOX.

FILE NAME  
 AW-10CSW.DWG

UNLESS OTHERWISE SPECIFIED:  
 DIMENSIONS ARE IN MILLIMETERS, TOLERANCES ARE ±0.5 AND ANGLES ARE ±3°.

APPROVALS	DATE
DRAWN <i>J.D.</i>	9/06
CHECKED <i>R.W.</i>	9/06
APPROVED <i>B.R.</i>	9/06

DO NOT SCALE DRAWING

projects unlimited Dayton, Ohio

# SIREN

SIZE A	DRAWING NO. AW-10CSW
SCALE: N.T.S.	SHEET 1 OF 1