

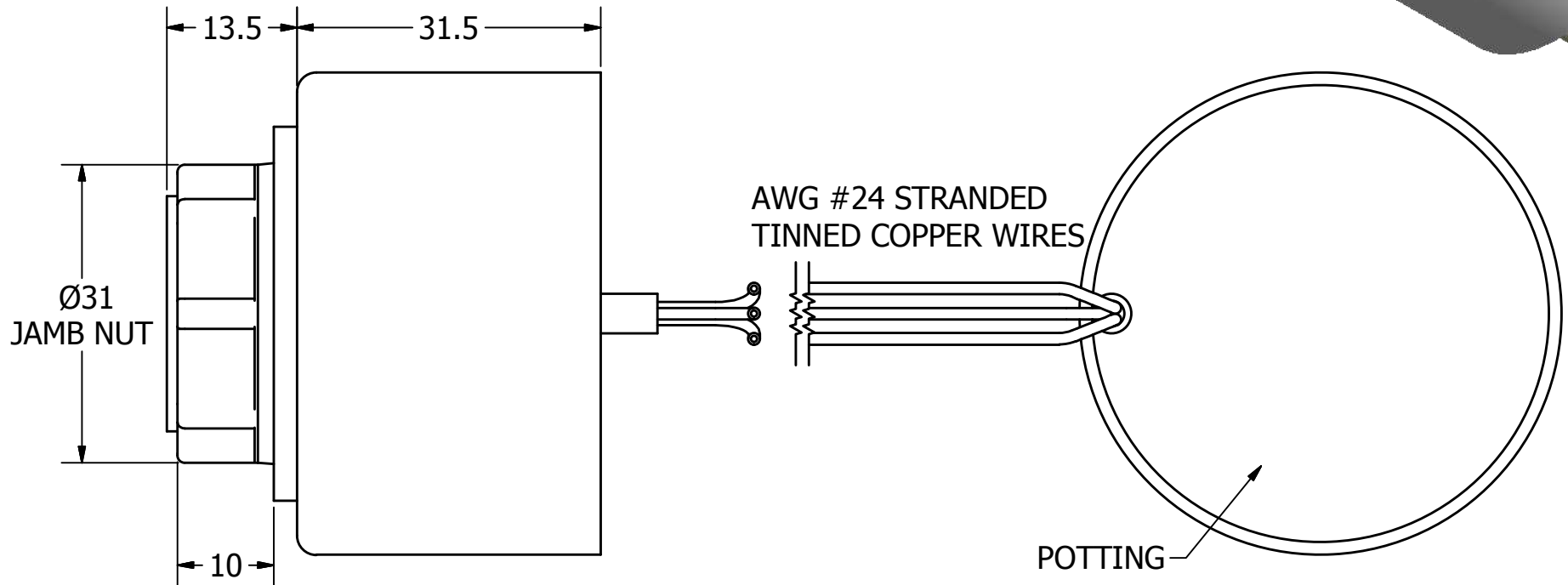
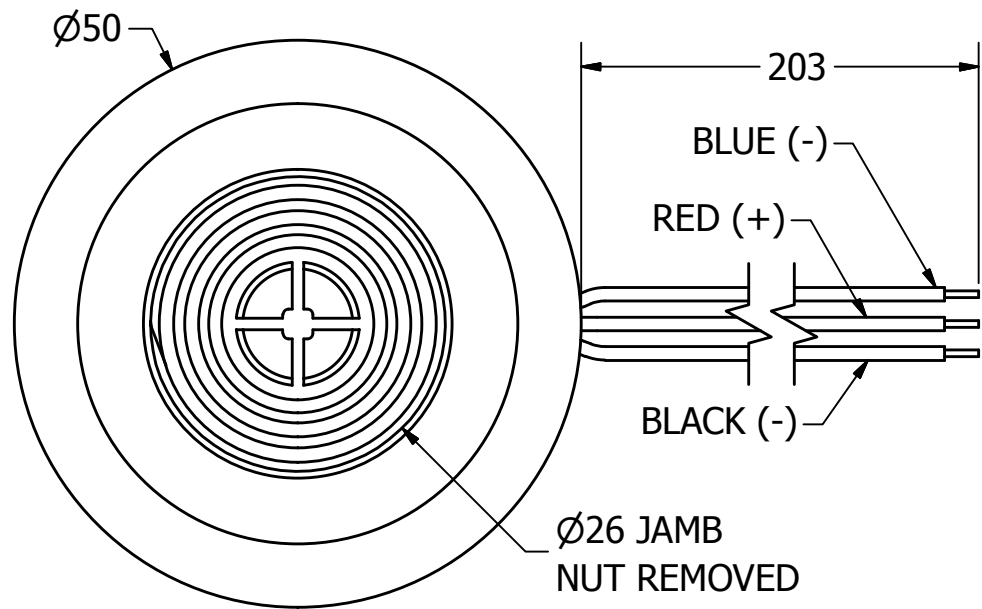
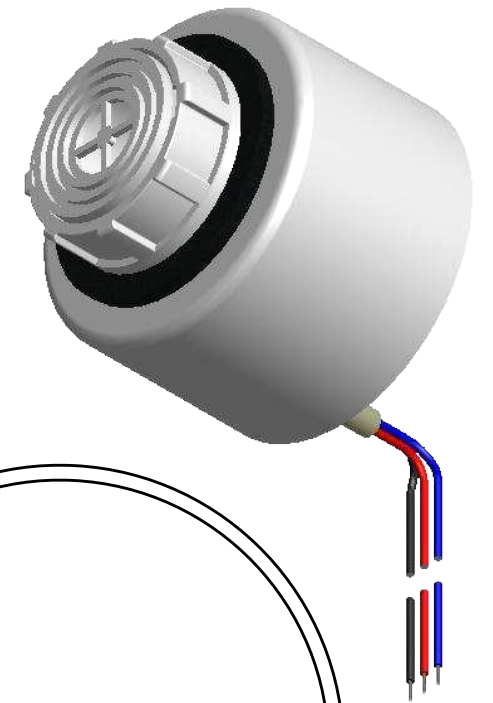
# SPECIFICATIONS

PARAMETERS	VALUES	UNITS
RATED VOLTAGE	12	Vdc
OPERATING VOLTAGE RANGE	9 ~ 28	Vdc
RATED CURRENT (MAX)	15	mA
INGRESS PROTECTION	IP65	-
TYPICAL SPL @ 10 cm	106	dBA
FREQUENCY RANGE	2,700 ~ 3,100	Hz
SWEEP RATE	4	Hz
CONTINUOUS TONE/ PULSING TONE	RED (+) & BLUE (-)/ RED (+) & BLACK (-)	-
OPERATING TEMPERATURE	-40 ~ +80	°C
CASE MATERIAL/COLOR	ABS/WHITE	-
TERMINAL	LEAD WIRE	-
WEIGHT	80	grams

THIS DOCUMENT CONTAINS DATA PROPRIETARY TO PROJECTS UNLIMITED, INC. ANY USE OR REPRODUCTION, IN ANY FORM, WITHOUT PRIOR WRITTEN PERMISSION OF PROJECTS UNLIMITED, INC. IS PROHIBITED.  
©2003, Projects Unlimited Inc.


# REVISION HISTORY

LTR	DESCRIPTION	DATE	APPROVED
-	RELEASED FROM ENGINEERING	12/15/2005	
A	ADDED RoHS NOTE	5/21/2007	R.W.
B	REVISED PANEL MOUNT & HEIGHT DIMENSIONS	6/11/2010	B.R.
C	REVISED TO INVENTOR 3-D DRAWING TEMPLATE	6/11/2010	B.R.



## NOTES:

1. ALL DIMENSIONS ARE IN MILLIMETERS.
2. SPECIFICATIONS SUBJECT TO CHANGE OR WITHDRAWL WITHOUT NOTICE.
3. THIS PART IS RoHS 2002/95/EC COMPLIANT.

UNLESS OTHERWISE SPECIFIED: DIMENSIONS ARE IN MILLIMETERS, TOLERANCES ARE ±0.5 AND ANGLES ARE ±3°.	SIZE <b>A3</b>	Designed by	Date	Checked by	Date	Approved by	Date	Drawn Date
		J.A.F.	12/15/2005	E.P.	12/15/2005	B.R.	12/15/2005	6/11/2010
AW-10PW-NSVC.idw				<b>AW-10PW-NSVC</b>				
				<b>Siren</b>			Edition	Sheet
							-	1 / 1