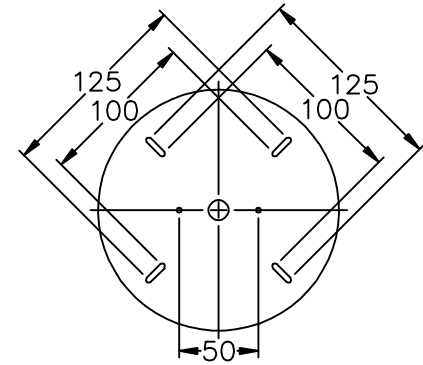


THIS DOCUMENT CONTAINS DATA PROPRIETARY TO PROJECTS UNLIMITED, INC. ANY USE OR REPRODUCTION, IN ANY FORM, WITHOUT PRIOR WRITTEN PERMISSION OF PROJECTS UNLIMITED, INC. IS PROHIBITED.  
 ©2005, Projects Unlimited Inc.

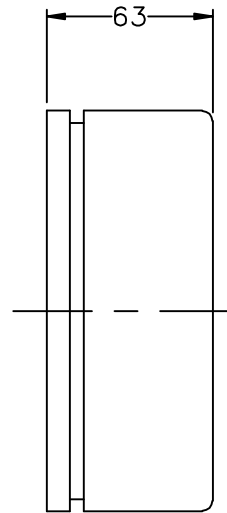
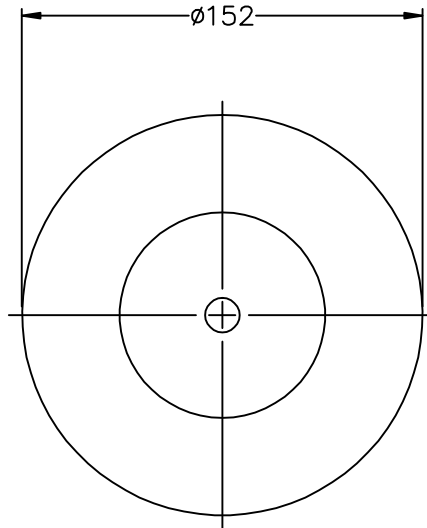
SPECIFICATIONS

PARAMETERS	VALUES	UNITS
RATED VOLTAGE	24	Vdc
OPERATING VOLTAGE RANGE	18 ~ 30	Vdc
CURRENT CONSUMPTION	25	mA
SOUND OUTPUT (TYPICAL)	93 ~ 95	dBA
INGRESS PROTECTION	IP42	-
GONG COLOR	RED	-
OPERATING TEMPERATURE	-10 ~ +55	°C
BASE MATERIAL	POLYCARBONATE	-
GONG MATERIAL	STEEL	-
WEIGHT	850	grams

REVISIONS			
LTR	DESCRIPTION	DATE	APPROVED
-	RELEASED FROM ENGINEERING	12/14/05	
A	ADDED RoHS NOTE	5/22/07	R.W.




FIXING DETAIL



NOTES:

1. ALL DIMENSIONS ARE IN MILLIMETERS.
2. SPECIFICATION SUBJECT TO CHANGE OR WITHDRAWAL WITHOUT NOTICE.
3. THIS PART IS RoHS 2002/95/EC COMPLIANT.

FILE NAME  
AWB-20R6-24.DWG

UNLESS OTHERWISE SPECIFIED: DIMENSIONS ARE IN MILLIMETERS. TOLERANCES ARE ±0.5 AND ANGLES ARE ±3°.		 <b>projects® unlimited</b> Dayton, Ohio	
APPROVALS		DATE	
DRAWN	J.A.F.	12/05	
CHECKED	E.P.	12/05	
APPROVED	B.R.	12/05	
DRAWING NO. AWB-20R6-24		SIZE A	
DO NOT SCALE DRAWING		SCALE: N.T.S.	SHEET 1 OF 1