

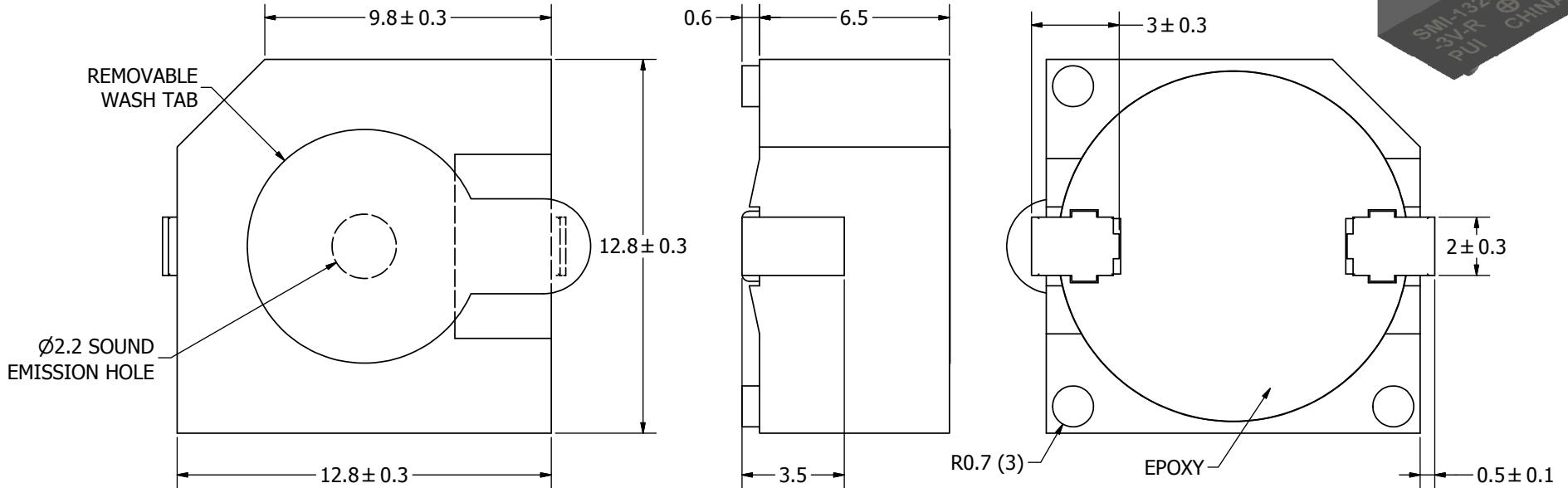
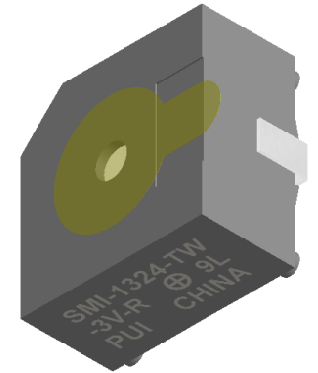
# SPECIFICATIONS

| PARAMETERS              | VALUES          | UNITS       |
|-------------------------|-----------------|-------------|
| RATED VOLTAGE           | 3               | Vdc         |
| OPERATING VOLTAGE RANGE | 2 ~ 5           | Vdc         |
| RATED CURRENT (MAX)     | 30              | mA          |
| MINIMUM SPL @ 10 CM     | 75              | dBa         |
| RESONANT FREQUENCY      | 2,400 ± 400     | Hz          |
| tone OR PULSE RATE      | CONTINUOUS      | 0 pulse/sec |
| OPERATING TEMPERATURE   | -20 ~ +70       | °C          |
| STORAGE TEMPERATURE     | -30 ~ +80       | °C          |
| HOUSING MATERIAL        | PPS             | -           |
| TERMINAL MATERIAL       | Sn PLATED BRASS | -           |
| WEIGHT                  | 2               | grams       |

THIS DOCUMENT CONTAINS DATA PROPRIETARY TO PROJECTS UNLIMITED, INC. ANY USE OR REPRODUCTION, IN ANY FORM, WITHOUT PRIOR WRITTEN PERMISSION OF PROJECTS UNLIMITED, INC. IS PROHIBITED.  
©2003, Projects Unlimited Inc.

# REVISION HISTORY

| LTR | DESCRIPTION                              | DATE       | APPROVED |
|-----|--|------------|----------|
| -   | RELEASED FROM ENGINEERING                | 10/18/2006 |          |
| A   | REVISED DRAWING TO SHOW POSITIVE MARK    | 10/26/2006 | R.W.     |
| B   | REVISED TO INVENTOR 3-D DRAWING TEMPLATE | 6/1/2010   | B.R.     |



## NOTES:

1. ALL DIMENSIONS ARE IN MILLIMETERS.
2. SPECIFICATIONS SUBJECT TO CHANGE OR WITHDRAWAL WITHOUT NOTICE.
3. THIS PART IS RoHS 2002/95/EC COMPLIANT.

| UNLESS OTHERWISE SPECIFIED:<br>DIMENSIONS ARE IN MILLIMETERS,<br>TOLERANCES ARE ±0.5 AND ANGLES ARE ±3°. | SIZE<br><b>A3</b> | Designed by | Date      | Checked by | Date      | Approved by                          | Date      | Drawn Date |
|--|-------------------|-------------|-----------|------------|-----------|--------------------------------------|-----------|------------|
|  |                   | J.D.        | 9/18/2006 | B.R.       | 9/18/2006 | R.W.                                 | 9/18/2006 | 6/1/2010   |
| SMI-1324-TW-3V-R.idw   |                   |             |           |            |           | <b>SMI-1324-TW-3V-R</b><br>Indicator |           |            |
|  |                   |             |           |            |           | Edition                              | Sheet     |            |
|  |                   |             |           |            |           | -                                    | 1 / 1     |            |