

# SPECIFICATIONS

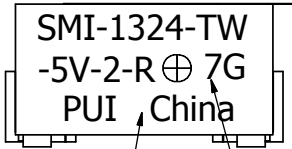
| PARAMETERS              | VALUES          | UNITS       |
|-------------------------|-----------------|-------------|
| RATED VOLTAGE           | 5               | Vdc         |
| OPERATING VOLTAGE RANGE | 4 ~ 7           | Vdc         |
| RATED CURRENT (MAX)     | 30              | mA          |
| MINIMUM SPL @ 10 CM     | 88              | dB          |
| RESONANT FREQUENCY      | 2,400 ± 400     | Hz          |
| TONE OR PULSE RATE      | CONTINUOUS      | 0 pulse/sec |
| OPERATING TEMPERATURE   | -40 ~ +85       | °C          |
| STORAGE TEMPERATURE     | -40 ~ +85       | °C          |
| HOUSING MATERIAL        | PPS             | -           |
| TERMINAL MATERIAL       | Sn PLATED BRASS | -           |
| WEIGHT                  | 2               | grams       |

THIS DOCUMENT CONTAINS DATA PROPRIETARY TO PROJECTS UNLIMITED, INC. ANY USE OR REPRODUCTION, IN ANY FORM, WITHOUT PRIOR WRITTEN PERMISSION OF PROJECTS UNLIMITED, INC. IS PROHIBITED.  
©2003, Projects Unlimited Inc.

# REVISION HISTORY

| LTR | DESCRIPTION                              | DATE       | APPROVED |
|-----|--|------------|----------|
| -   | RELEASED FROM ENGINEERING                | 8/2/2004   |          |
| A   | REVISED TERMINAL MATERIAL                | 12/13/2004 | R.W.     |
| B   | REMOVED LEAD FREE ADDED RoHS NOTE        | 8/10/2005  |          |
| C   | ADDED NOTE 4                             | 11/2/2005  | B.R.     |
| D   | REVISED TERMINAL MATERIAL                | 3/20/2006  | B.R.     |
| E   | REVISED TEMPERATURES ADD DATE CODE       | 6/14/2006  | R.W.     |
| F   | REVISED LAYOUT ADDED SIDE DIMENSION      | 8/16/2006  | B.R.     |
| G   | REVISED TO INVENTOR 3-D DRAWING TEMPLATE | 11/9/2007  | B.R.     |

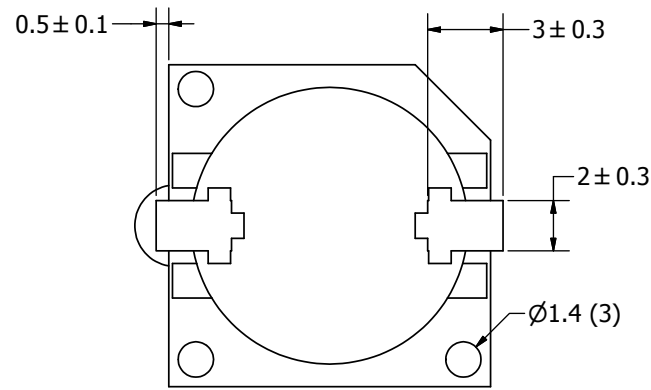
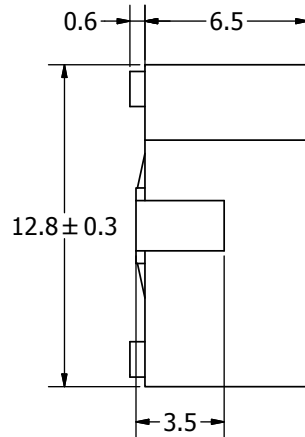
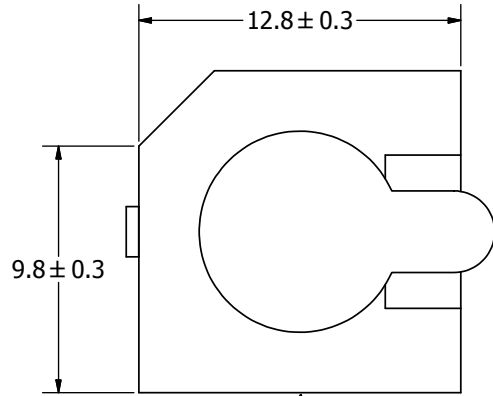
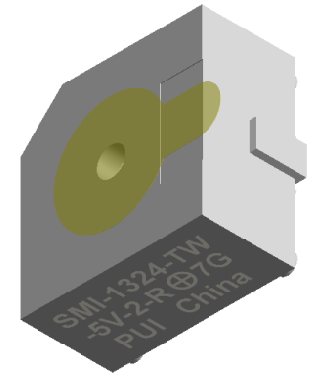
A (4 : 1)



SILK SCREEN MARKING  
COLOR: SILVER

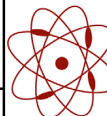
DATE CODE MARKING

"7 G"  
YEAR: 7=2007 MONTH: G=JULY



### NOTES:

1. ALL DIMENSIONS ARE IN MILLIMETERS.
2. SPECIFICATIONS SUBJECT TO CHANGE OR WITHDRAWAL WITHOUT NOTICE.
3. THIS PART IS RoHS 2002/95/EC COMPLIANT.
4. MAXIMUM REFOLW TEMPERATURE IS 260°C.

|  |      |  |          |                           |      |             |           |              |                |
|--|------|--|----------|---------------------------|------|-------------|-----------|--------------|----------------|
| UNLESS OTHERWISE SPECIFIED:<br>DIMENSIONS ARE IN MILLIMETERS,<br>TOLERANCES ARE ±0.5 AND ANGLES ARE ±3°. | SIZE | Designed by  | Date     | Checked by                | Date | Approved by | Date      | Drawn Date   |                |
|  | A3   | R.A.C.   | 8/2/2004 |                           |      | R.W.        | 8/2/2004  | 11/9/2007    |                |
| SMI-1324-TW-5V-2-R.idw   |      |  <b>pui audio</b><br>a projects unlimited company |          | <b>SMI-1324-TW-5V-2-R</b> |      |             | Indicator | Edition<br>- | Sheet<br>1 / 1 |