

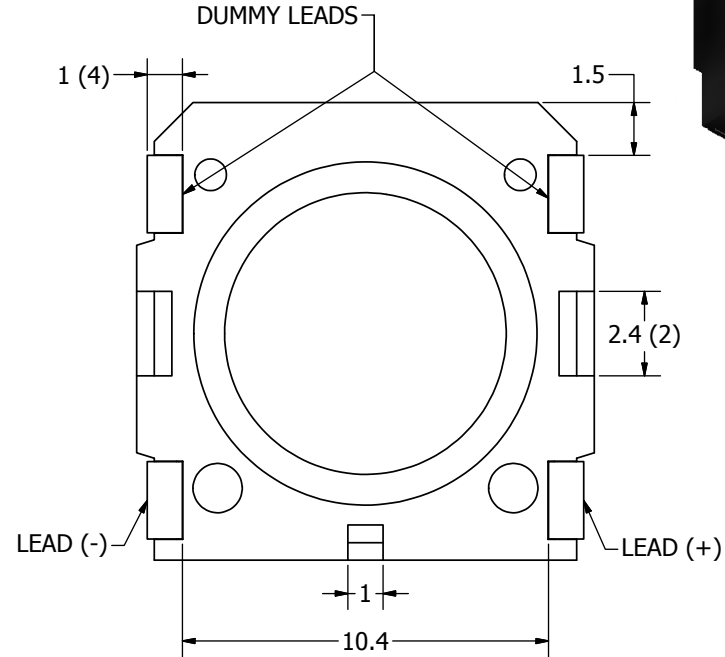
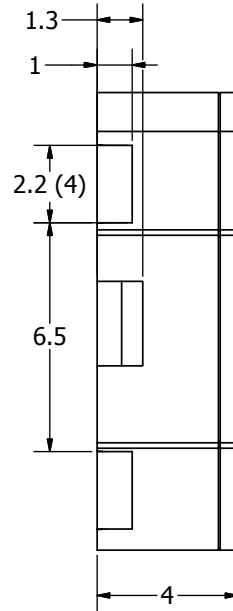
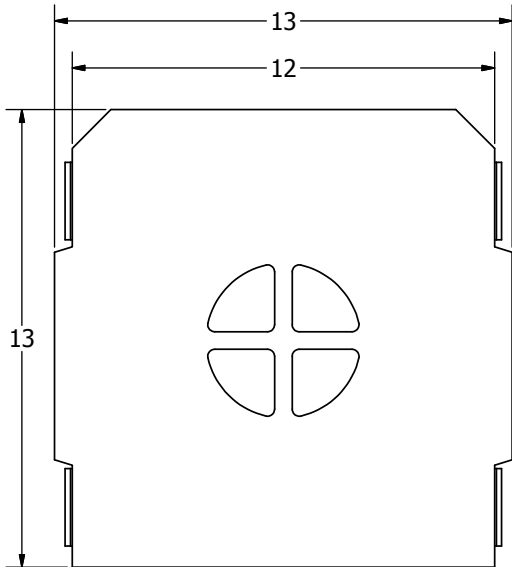
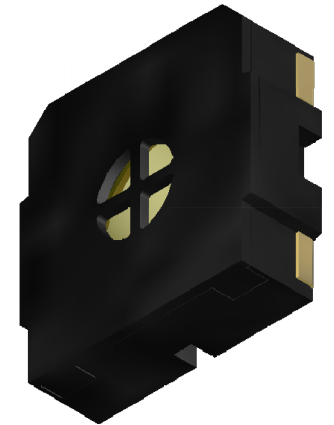
# SPECIFICATIONS

PARAMETERS	VALUES	UNITS
RATED INPUT POWER	0.7	W
MAX INPUT POWER	1	W
IMPEDANCE	8 ± 15%	OHM
OUTPUT SPL @ 0.7W/0.1M (AT 1.0, 1.6, 2.0, 3.2 kHz)	88 ± 3	dBA
DISTORTION (MAX.)	5%	-
RESONANT FREQUENCY	850 ± 15%	Hz
FREQUENCY RANGE	400 ~ 20,000	Hz
HOUSING MATERIAL	LCP	-
CONE MATERIAL	KAPTON	-
MAGNET MATERIAL	SmCo	-
OPERATING TEMPERATURE	-30 ~ +85	°C
WEIGHT	1.2	grams

THIS DOCUMENT CONTAINS DATA PROPRIETARY TO PROJECTS UNLIMITED, INC. ANY USE OR REPRODUCTION, IN ANY FORM, WITHOUT PRIOR WRITTEN PERMISSION OF PROJECTS UNLIMITED, INC. IS PROHIBITED.  
©2003, Projects Unlimited Inc.

# REVISION HISTORY

LTR	DESCRIPTION	DATE	APPROVED
-	RELEASED FROM ENGINEERING	3/4/2009	
A	REVISED TO INVENTOR 3-D DRAWING TEMPLATE	8/30/2010	B.R.



## NOTES:

1. ALL DIMENSIONS ARE IN MILLIMETERS.
2. SPECIFICATIONS SUBJECT TO CHANGE OR WITHDRAWAL WITHOUT NOTICE.
3. THIS PART IS RoHS 2002/95/EC COMPLIANT.

UNLESS OTHERWISE SPECIFIED: DIMENSIONS ARE IN MILLIMETERS, TOLERANCES ARE ±0.5 AND ANGLES ARE ±3°.	SIZE <b>A3</b>	Designed by	Date	Checked by	Date	Approved by	Date	Drawn Date	
		J.D.	3/5/2009	C.W.	3/5/2009	B.R.	3/5/2009	8/30/2010	
SMS-1308MS-R.idw						<b>SMS-1308MS-R</b> Speaker		Edition	Sheet
								-	1 / 1