

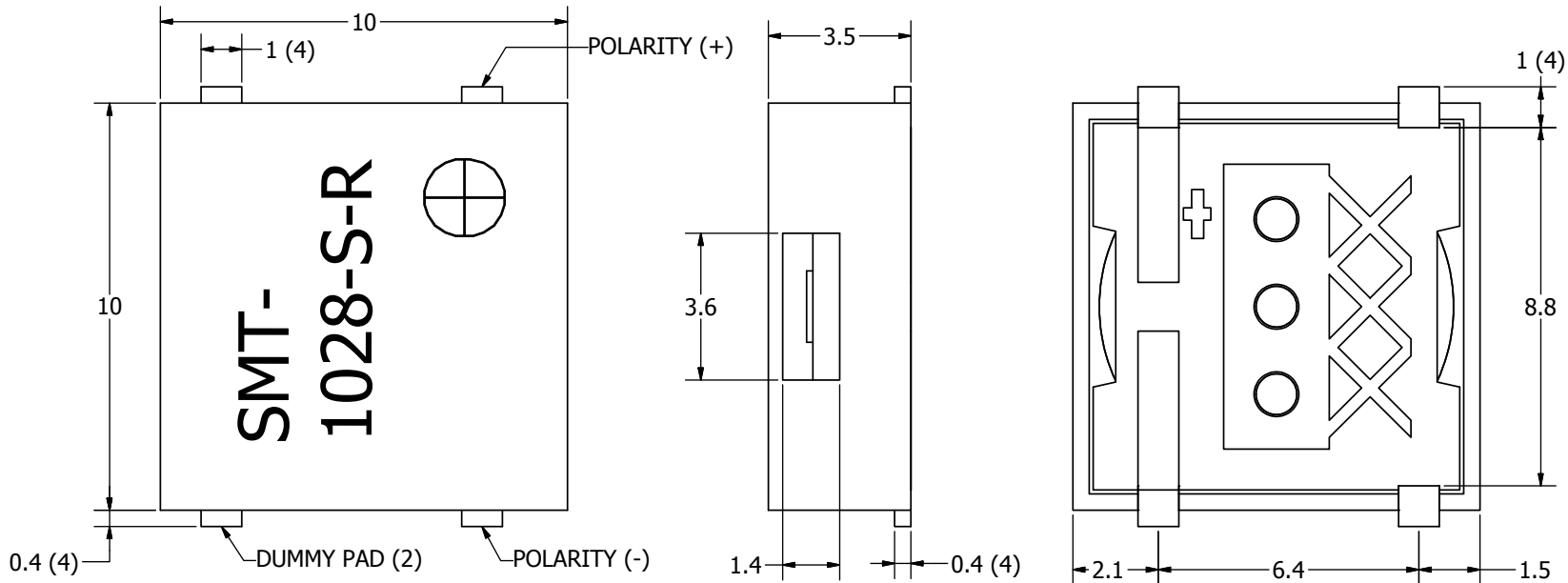
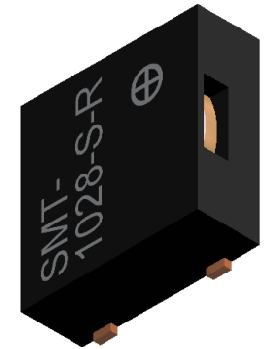
SPECIFICATIONS

PARAMETERS	VALUES	UNITS
RATED VOLTAGE (SQUARE WAVE)	3.6	Vp-p
OPERATING VOLTAGE RANGE	3 ~ 4.6	Vp-p
RATED CURRENT (MAX)	100	mA
COIL RESISTANCE	18 ± 5	OHM
MINIMUM SPL @ 10 CM	93	dB
RESONANT FREQUENCY	2,830 ± 500	Hz
OPERATING TEMPERATURE	-20 ~ +70	°C
STORAGE TEMPERATURE	-40 ~ +85	°C
HOUSING MATERIAL	LCP	-
TERMINAL MATERIAL	Cu WRAPPED FR4 Au PLATED	-
WEIGHT	0.9	grams

THIS DOCUMENT CONTAINS DATA PROPRIETARY TO PROJECTS UNLIMITED, INC. ANY USE OR REPRODUCTION, IN ANY FORM, WITHOUT PRIOR WRITTEN PERMISSION OF PROJECTS UNLIMITED, INC. IS PROHIBITED.
©2003, Projects Unlimited Inc.

REVISION HISTORY

LTR	DESCRIPTION	DATE	APPROVED
-	RELEASED FROM ENGINEERING	7/19/2005	
A	REVISED TERMINAL MATERIAL	1/20/2006	B.R.
B	REVISED HOUSING AND TERMINAL MATERIAL	8/21/2006	B.R.
C	REVISED TO INVENTOR 3-D DRAWING TEMPLATE	11/6/2007	B.R.



NOTES:

1. ALL DIMENSIONS ARE IN MILLIMETERS.
2. SPECIFICATIONS SUBJECT TO CHANGE OR WITHDRAWAL WITHOUT NOTICE.
3. THIS PART IS RoHS 2002/95/EC COMPLIANT.

UNLESS OTHERWISE SPECIFIED: DIMENSIONS ARE IN MILLIMETERS, TOLERANCES ARE ±0.5 AND ANGLES ARE ±3°.	SIZE A3	Designed by	Date	Checked by	Date	Approved by	Date	Drawn Date
		R.C.	7/19/2005			E.P.	7/19/2005	11/6/2007
SMT-1028-S-R.idw				SMT-1028-S-R				
Transducer (Electro-Mech)						Edition	Sheet	
						-	1 / 1	