

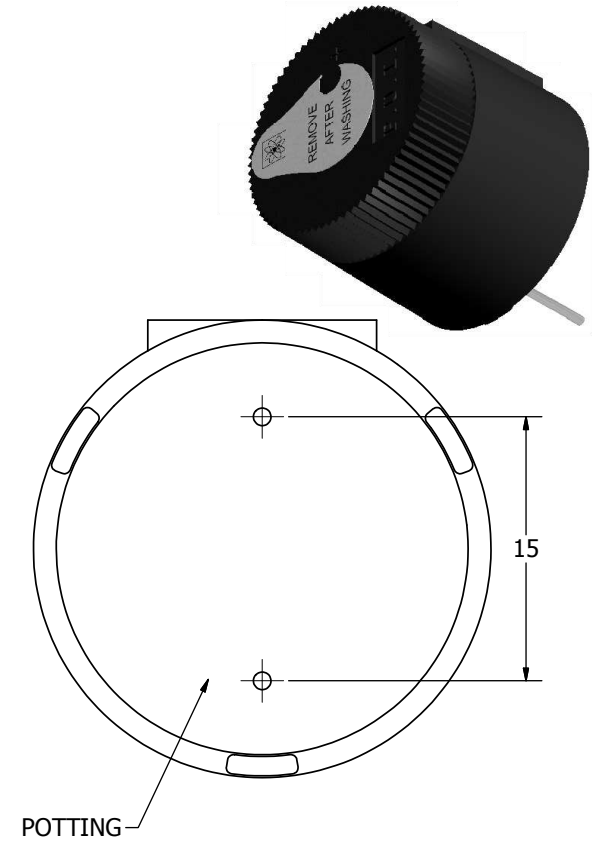
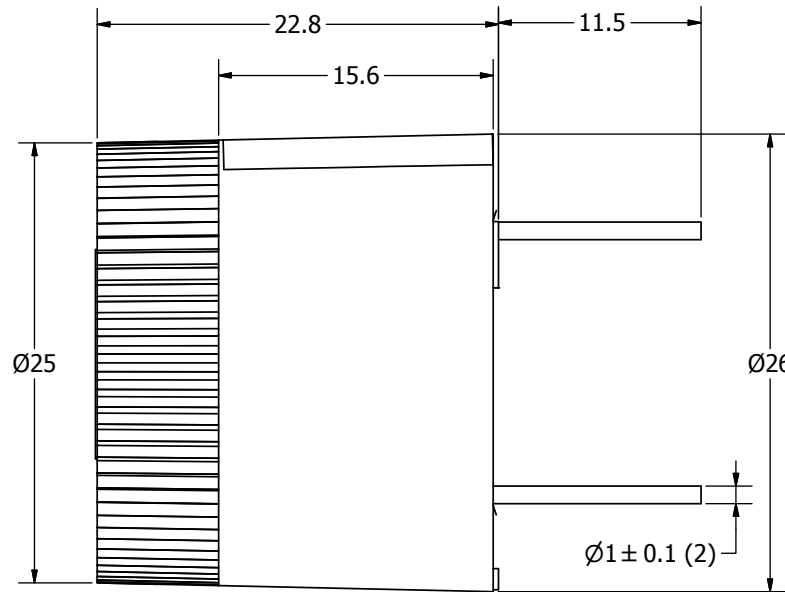
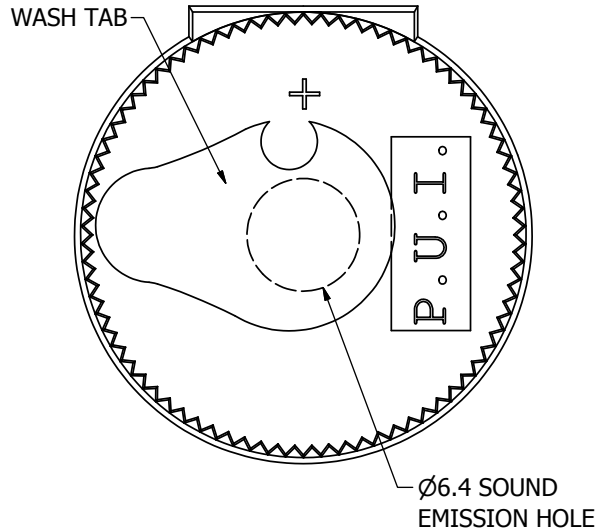
# SPECIFICATIONS

PARAMETERS	VALUES	UNITS
RATED VOLTAGE	12	Vdc
OPERATING VOLTAGE RANGE	5 ~ 14	Vdc
RATED CURRENT (MAX)	35	mA
MINIMUM SPL @ 10 CM	107	dBA
RESONANT FREQUENCY	2,900 ± 500	Hz
tone OR PULSE RATE	CONTINUOUS	0 pulse /sec
OPERATING TEMPERATURE	-40 ~ +85	°C
STORAGE TEMPERATURE	-40 ~ +85	°C
HOUSING MATERIAL	PC	-
TERMINAL MATERIAL	Sn PLATED COPPER	-
WEIGHT	12	grams

THIS DOCUMENT CONTAINS DATA PROPRIETARY TO PROJECTS UNLIMITED, INC. ANY USE OR REPRODUCTION, IN ANY FORM, WITHOUT PRIOR WRITTEN PERMISSION OF PROJECTS UNLIMITED, INC. IS PROHIBITED.  
©2003, Projects Unlimited Inc.


# REVISION HISTORY

LTR	DESCRIPTION	DATE	APPROVED
-	RELEASED FROM ENGINEERING	12/28/2007	
A	REVISED STORAGE & OPERATING TEMPERATURES	10/23/2006	B.R.
B	ADDED POSITIVE TERMINAL INDICATOR	1/14/2008	B.R.
C	REVISED TO INVENTOR 3-D DRAWING TEMPLATE	4/27/2010	B.R.



## NOTES:

1. ALL DIMENSIONS ARE IN MILLIMETERS.
2. SPECIFICATIONS SUBJECT TO CHANGE OR WITHDRAWAL WITHOUT NOTICE.
3. THIS PART IS RoHS 2002/95/EC COMPLIANT.

UNLESS OTHERWISE SPECIFIED: DIMENSIONS ARE IN MILLIMETERS, TOLERANCES ARE ±0.5 AND ANGLES ARE ±3°.	SIZE <b>A3</b>	Designed by	Date	Checked by	Date	Approved by	Date	Drawn Date
		J.A.F.	1/26/2006	E.P.	1/26/2006	B.R.	1/26/2006	4/27/2010
X-2629-TWT-R.idw		 <b>X-2629-TWT-R</b> Indicator				Edition	Sheet	
						-	1 / 1	