



MBR2060C

Preliminary

DIODE

20A SCHOTTKY BARRIER RECTIFIER

DESCRIPTION

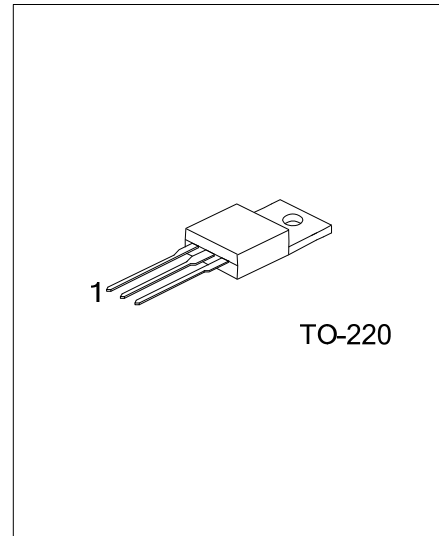
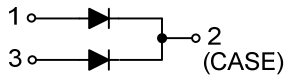
The UTC **MBR2060C** is a 20A schottky barrier rectifier, it uses UTC's advanced technology to provide the customers with high surge capability, high efficiency, high current capability, low power loss and low forward voltage drop, etc.

The UTC **MBR2060C** is suitable for free wheeling and polarity protection, etc.

FEATURES

- * High surge capability
- * High efficiency
- * High current capability
- * Low power Loss and low forward voltage drop

SYMBOL



ORDERING INFORMATION

Ordering Number		Package	Pin Assignment			Packing
Lead Free	Halogen Free		1	2	3	
MBR2060CL-TA3-T	MBR2060CG-TA3-T	TO-220	A	K	A	Tube

Note: Pin Assignment: A: Anode, K: Cathode

<p>MBR2060CL-TA3-T</p> <p>(1)Packing Type</p> <p>(2)Package Type</p> <p>(3)Halogen Free</p>	<p>(1) T: Tube</p> <p>(2) TA3: TO-220</p> <p>(3) L: Lead Free, G: Halogen Free</p>
---	--

■ ABSOLUTE MAXIMUM RATINGS AND ELECTRICAL CHARACTERISTICS

(T_A=25°C, unless otherwise specified.)

PARAMETER	SYMBOL	RATINGS	UNIT	
Peak Repetitive Reverse Voltage	V _{RRM}	60	V	
Working Peak Reverse Voltage	V _{RWM}	60	V	
DC Blocking Voltage	V _R	60	V	
RMS Reverse Voltage	V _{R(RMS)}	42	V	
Average Rectified Output Current	I _O	20	A	
	T _C =125°C			
Non-Repetitive Peak Forward Surge Current 8.3ms Single half sine-wave superimposed on rated load (JEDEC Method)	I _{FSM}	150	A	
Forward Voltage Drop (Note 2)	V _{FM}	I _F =20A, T _C =25°C	0.95	V
		I _F =20A, T _C =125°C	0.85	V
		I _F =10A, T _C =125°C	0.70	V
Peak Reverse Current at Rated DC Blocking Voltage	I _{RM}	T _C =25°C	0.1	mA
		T _C =125°C	15	mA
Typical Junction Capacitance	C _j	650	pF	
	V _R =4V, f=1MHz			
Voltage Rate of Change (Rated V _R)	dV/dt	10000	V/μs	
Junction Temperature	T _J	-65~+150	°C	
Storage Temperature	T _{STG}	-65~+150	°C	

Notes: 1. Absolute maximum ratings are those values beyond which the device could be permanently damaged.

Absolute maximum ratings are stress ratings only and functional device operation is not implied.

2. Pulse width≤300μs, duty cycle≤2%.

■ THERMAL DATA

PARAMETER	SYMBOL	RATINGS	UNIT
Junction to Ambient	θ _{JA}	2.0	°C/W

UTC assumes no responsibility for equipment failures that result from using products at values that exceed, even momentarily, rated values (such as maximum ratings, operating condition ranges, or other parameters) listed in products specifications of any and all UTC products described or contained herein. UTC products are not designed for use in life support appliances, devices or systems where malfunction of these products can be reasonably expected to result in personal injury. Reproduction in whole or in part is prohibited without the prior written consent of the copyright owner. The information presented in this document does not form part of any quotation or contract, is believed to be accurate and reliable and may be changed without notice.