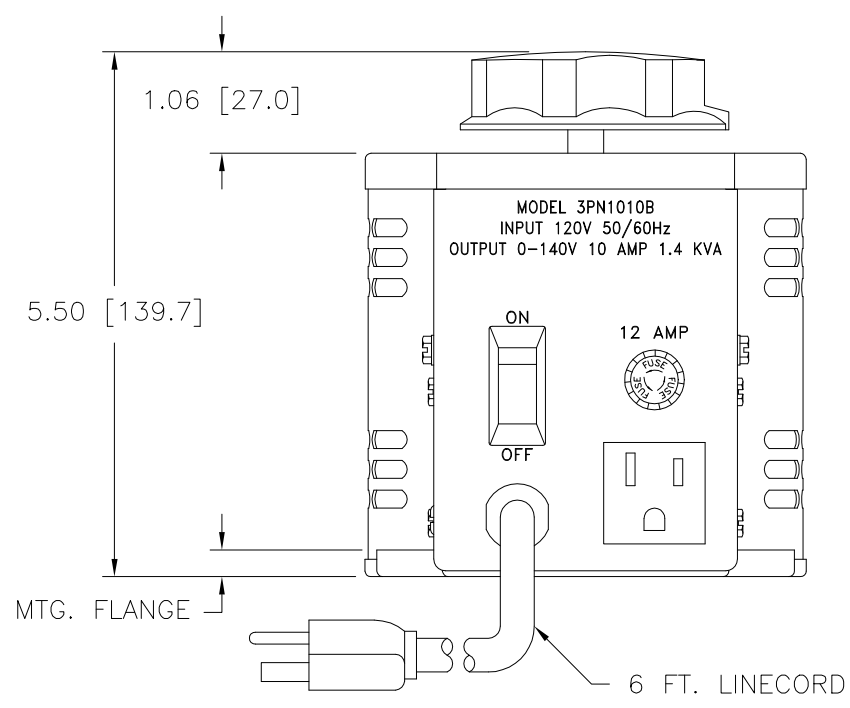
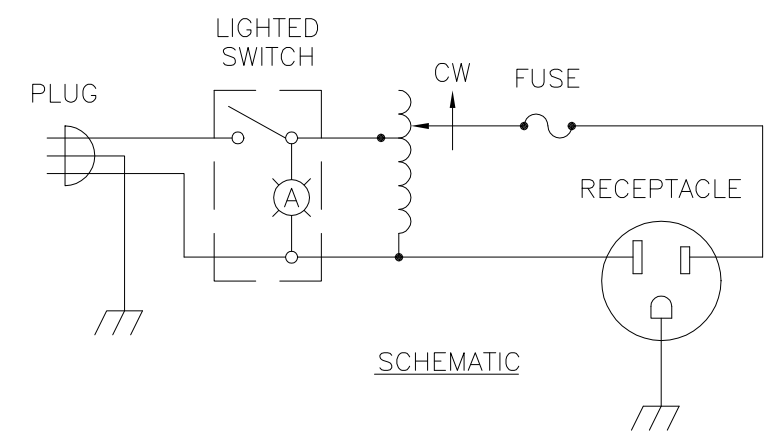
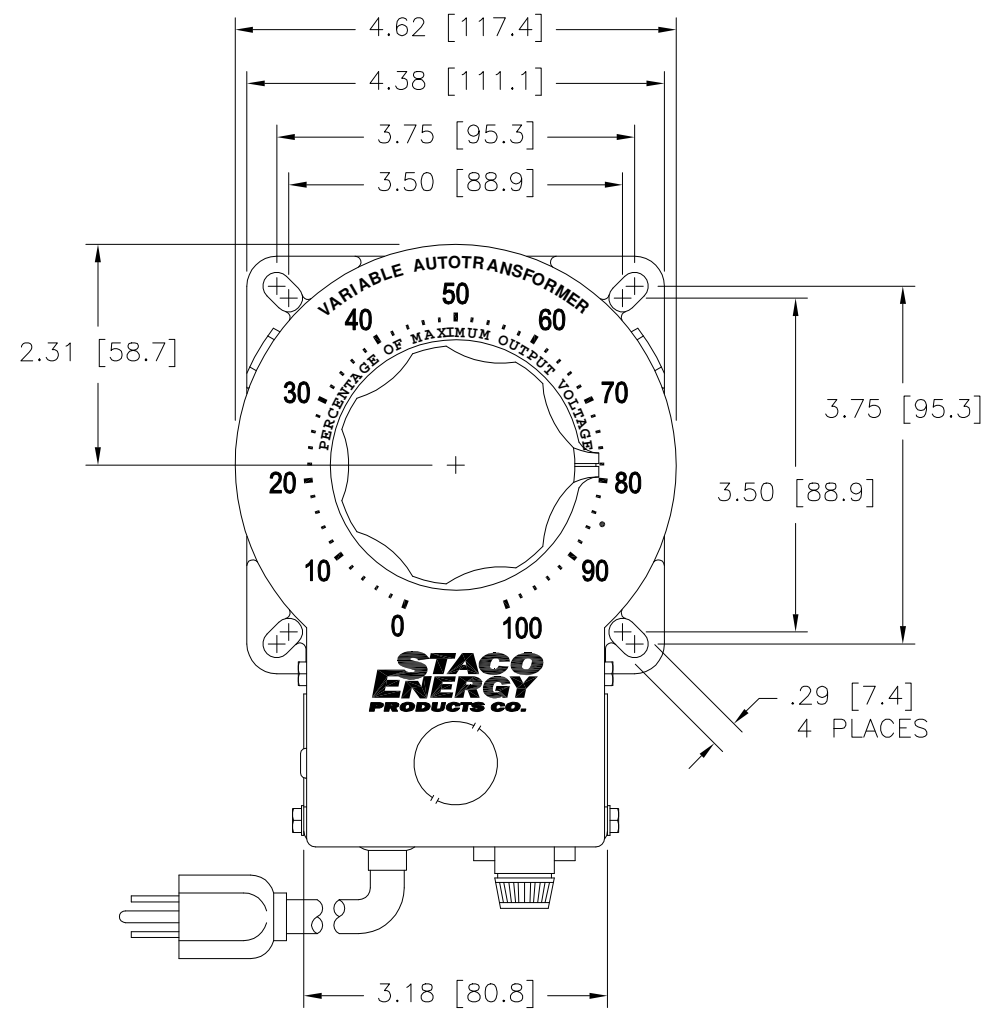
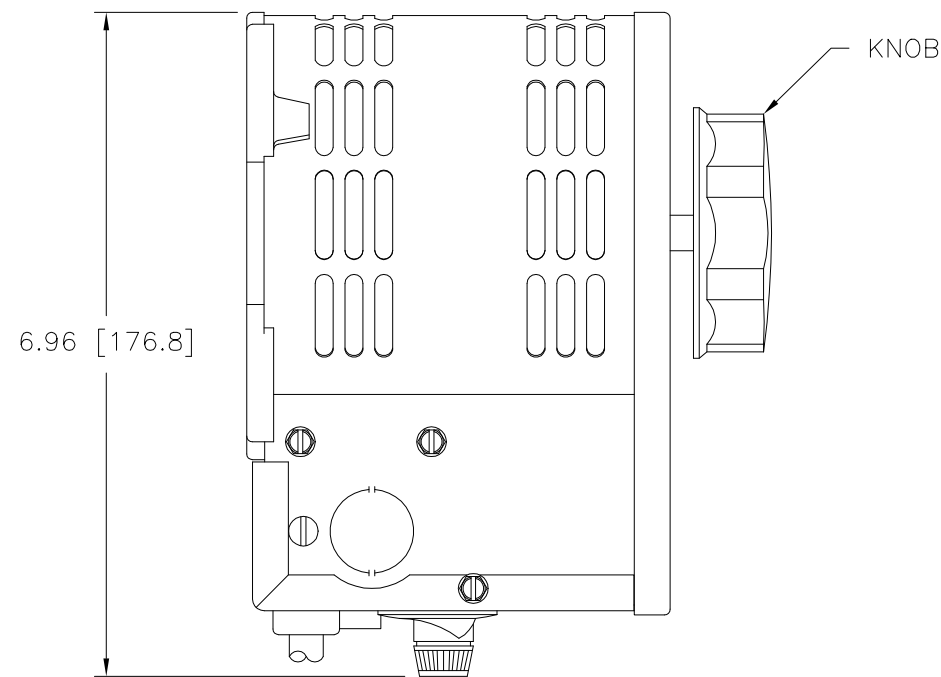


DWG. NO.	031-1648		
REVISIONS			
SYM.	E.C.N.	DATE	APVD.
A	24536	3/12/01	
REVISED SILKSCREEN			



SPECIFICATIONS					
WIRING	INPUT		OUTPUT		
	VOLTS	HERTZ	VOLTS	CONSTANT CURRENT LOAD	
SINGLE PHASE	120	50/60	0-140	MAX. AMPS	MAX. KVA
				10	1.4

UNLESS OTHERWISE SPECIFIED, TOLERANCE IS ±		UNITS		TITLE: SPEC. CONTROL DRAWING	
DECIMALS	HOLES	ANGLES	DRAFT	SCALE DWG.	
.XX	.0000	.01	1°	3PN1010B	DO NOT SCALE DWG.
.XXX	.005			10.25 LBS	83008
MATERIAL:		ALL DIMENSIONS APPLY AFTER PLATING		DRAWN BY S.A. SMITH	
DATE 10/10/96		FIRST USED ON 3PN1010B		CHECKER	
DATE		WEIGHT APPROX. 10.25 LBS		ENGINEER	
DATE		SCALE 1=1		SHEET 1 OF 1	
DWG. NO. 031-1648		DWG. NO. 031-1648		DWG. NO. 031-1648	

