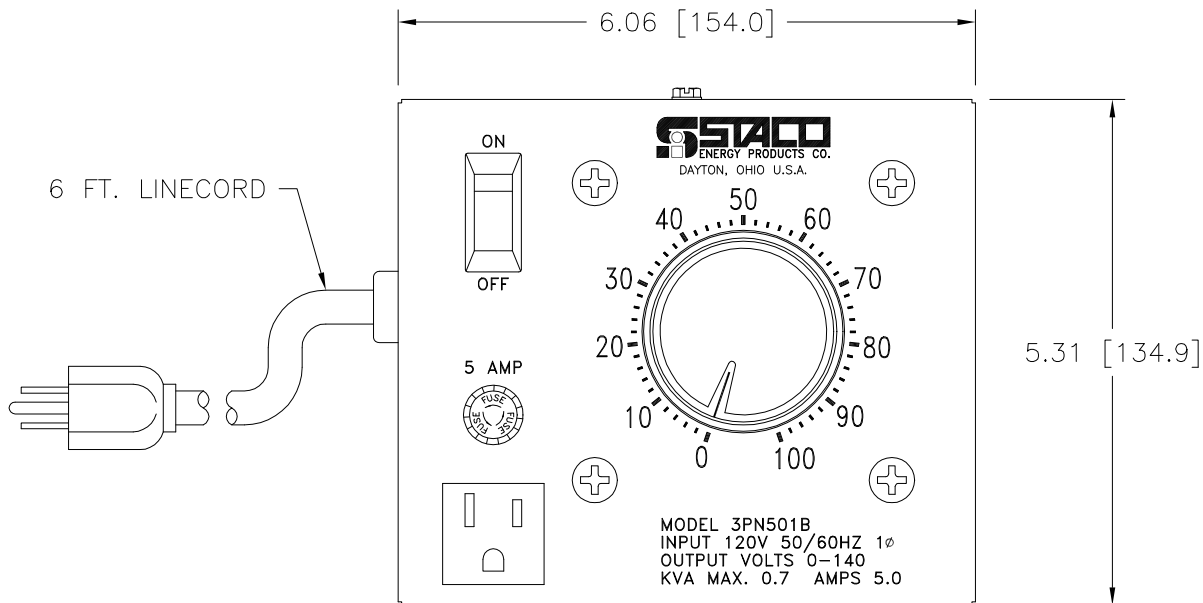
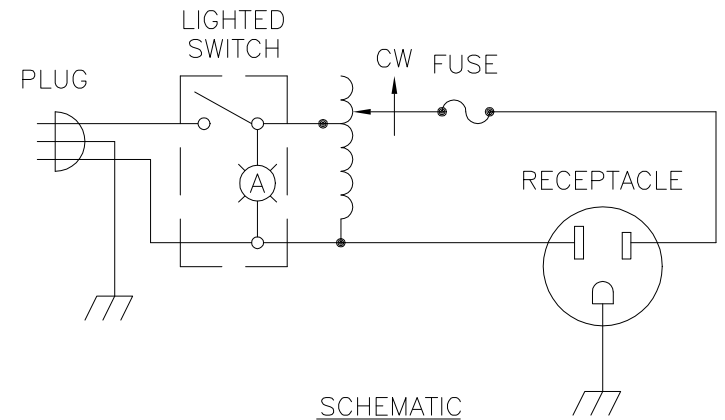
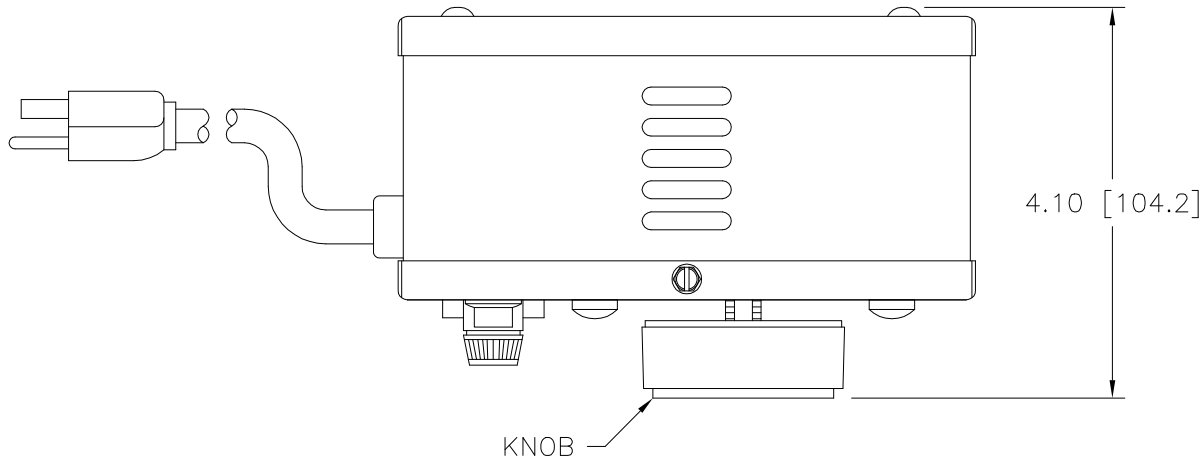


DWG. SIZE	DWG. NO.		
C	031-0835		
REVISIONS			
SYM.	E.C.N.	DATE	APVD.
A	23948	3/26/99	
CHG'D MOUNTING			



SPECIFICATIONS					
WIRING	INPUT		OUTPUT		
	VOLTS	HERTZ	VOLTS	CONSTANT CURRENT LOAD	
				MAX. AMPS	MAX. KVA
SINGLE PHASE	120	50/60	0-140	5	0.7

UNLESS OTHERWISE SPECIFIED, TOLERANCE IS ±		
DECIMALS	HOLES	ANGLES DRAFT
.XX	.0005 .03 .002	1° 1-1/2°
.XXX .005		
MATERIAL :		
ALL DIMENSIONS APPLY AFTER PLATING		

TITLE: SPEC. CONTROL DRAWING
 VARIABLE TRANSFORMER
 MODEL: 3PN501B



The information and design disclosed herein was originated by and is the property of STACO ENERGY PRODUCTS CO., which reserves all patent, proprietary, design, manufacturing, reproduction, use and sale rights thereto, and to any article disclosed therein except to the extent rights are expressly granted to others. The foregoing does not apply to vendor proprietary parts.		DRAWN BY	DATE	FIRST USED ON	DO NOT SCALE DWG.	CUSTOMER APPROVAL		DATE
CHECKER	DATE	S.A. SMITH	7/2/96	3PN501B				
ENGINEER	DATE			WEIGHT APPROX. 6.25 LBS	CODE IDENT. NO. 83008	DWG. SIZE C	DWG. NO. 031-0835	
				SCALE 1=1	SHEET 1 OF 1			