

## SPECIFICATION

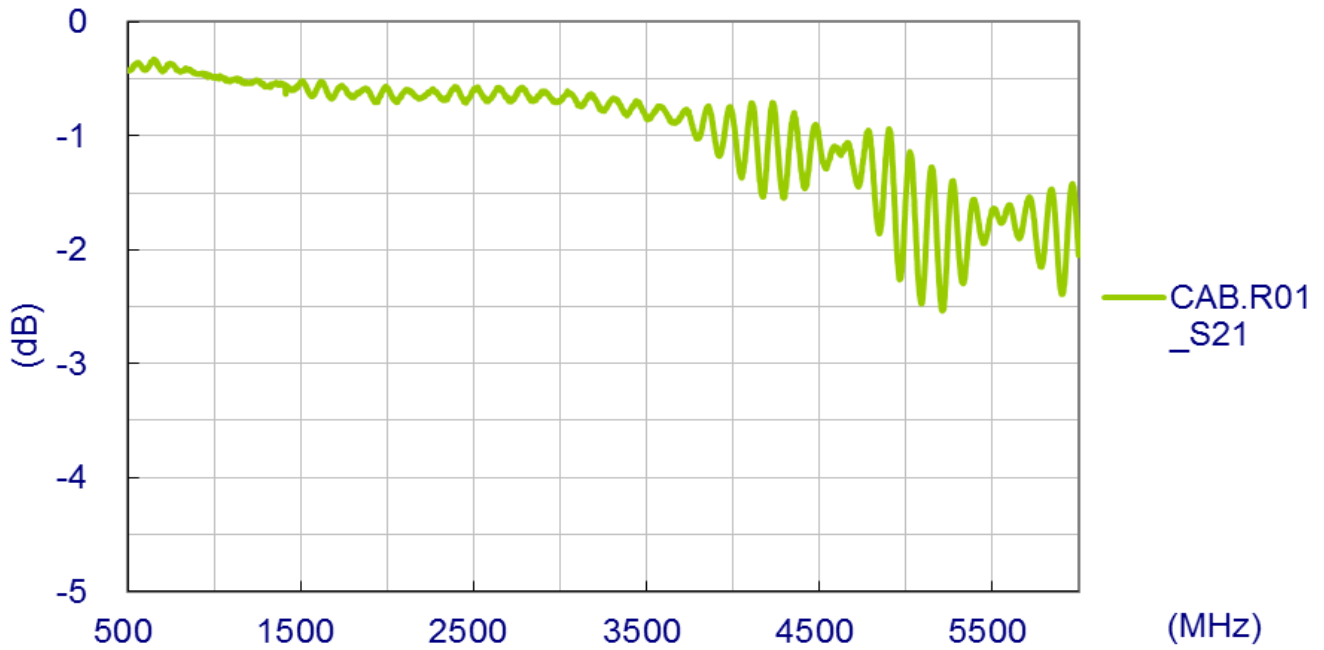
Part No. : **CAB.R01**

Product Name : Taoglas Cable Assembly  
Murata HSC to SMA(F)Bulkhead Straight Connector  
with 100mm  $\varnothing$ 0.81 cable

Photo :

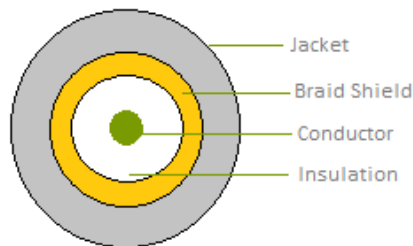


# 1. Cable Insertion Loss



# 2. 0.81 Cable Specification

## 2.1 Drawing – Cross Section



## 2.2 Structure and Dimensions

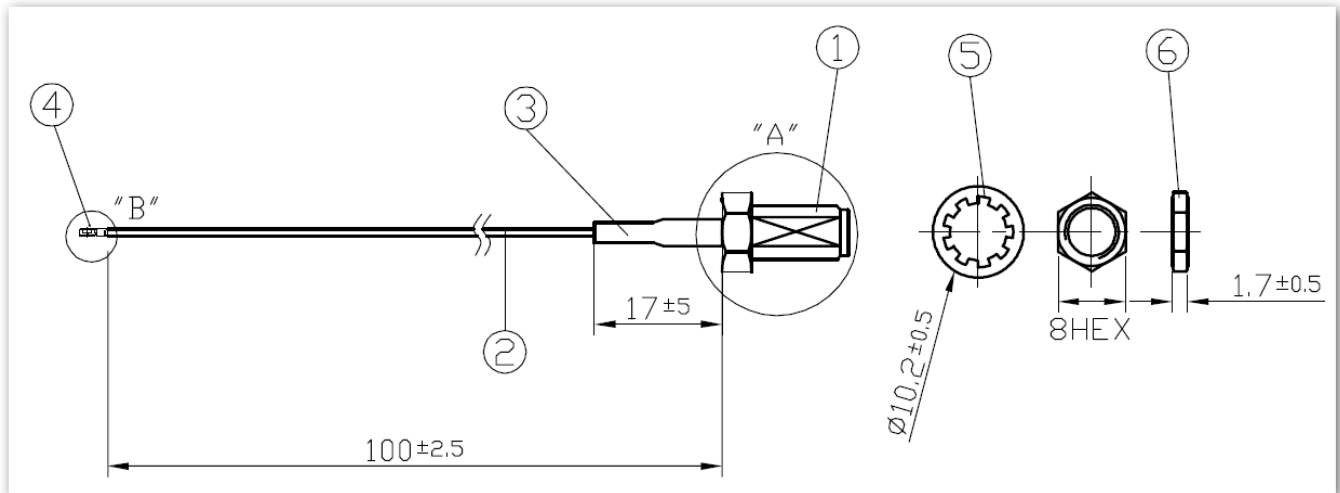


## 2.3 Electrical & Physical Specification

|   |                        |                       |      |
|---|------------------------|-----------------------|------|
| 1 | Insulation Resistance: | 1000 MEGA OHM-KM Min. |      |
| 2 | Conductor Resistance:  | 1400 OHM/KM/20°C Max. |      |
| 3 | Dielectric Strength:   | AC 1.0 KV/minute      |      |
| 4 | Spark test:            | 2.5 KV                |      |
| 5 | Nom. Impedance         | 50 ± 3 Ohms           |      |
| 6 | Nom. Capacitance       | 97 ± 3 pF/m           |      |
| 7 | Attenuation (dB/1M)    | 2.0GHz                | 3.60 |
|   |                        | 2.4GHz                | 5.10 |
|   |                        | 3.0GHz                | 6.20 |
|   |                        | 4.0GHz                | 7.50 |
|   |                        | 5.0GHz                | 8.50 |
|   |                        | 6.0GHz                | 9.40 |

### 3. Technical Drawing

#### 3.1 CAB.R01



|   | Name             | Part No.           | Material | Finish    | QTY |
|---|------------------|--------------------|----------|-----------|-----|
| 1 | SMA(F) ST        | SMA.F.ST.JACK.B.W  | Brass    | Gold      | 1   |
| 2 | 0.81 Cable       | OD.081.W           | FEP      | Gray      | 1   |
| 3 | Heat Shrink Tube | 001312E000014A     | PE       | Black     | 1   |
| 4 | Murata HSC       | MUR.HSC.081        | Brass    | Ni Plated | 1   |
| 5 | Washer           | See Connector Spec | Brass    | Gold      | 1   |
| 6 | Nut              | See Connector Spec | Brass    | Gold      | 1   |

### 3.2 Connectors

