

## SPECIFICATION

- Part No. : **FW.80.SMA.M**
- Product Name : **Meteor** 169MHz 0dBi Flexible Whip Monopole  
Omni-Directional Antenna  
SMA Male connector
- Feature : IP67 Housing  
1/4 Wavelength  
Robust but Flexible Inner Steel Whip  
High Efficiency Outdoor Antenna  
Advanced RF Design and Materials



## 1. Introduction

The Meteor FW.80 is a 0dBi 169MHz ISM band 1/4 wavelength monopole flexible whip antenna with omni-directional pattern optimized in the azimuth for wide coverage range in typical 169 MHz applications such as Wireless M-Bus metering. It also finds its usage in remote asset monitoring applications, alarms, paging systems and private mobile radio services.

The Meteor has a IP67 housing. The antenna, like all low frequency monopole antennas needs to be mounted to a metal plate to radiate.

For a waterproof integration to a metal box a waterproof panel mount SMA connector or cable assembly can be provided. TNC and N-type antenna versions are also available.

This whip is made up of a flexible inner steel core covered by TPU so extremely resistant to collisions and maintaining its original shape and RF performance.

Customized frequency and gain versions can be supplied.

## 2. Specification Table

Meteor FW.80	
Frequency (MHz)	169
Peak Gain (dBi) *	0dBi
Average Gain (dBi) *	-3.9
Efficiency (%) *	40%
Impedance ( $\Omega$ )	50
Polarization	Linear
Radiation Pattern	Omni
Input Power(W)	50
MECHANICAL	
Dimensions (mm)	353x $\phi$ 16
Base Diameter (mm)	$\phi$ 16
Whip Diameter (mm)	$\phi$ 4
Casing	ABS
Connector	SMA(M)
ENVIRONMENTAL	
Temperature Range	-40°C to 85°C
Humidity	Non-condensing 65°C 95% RH

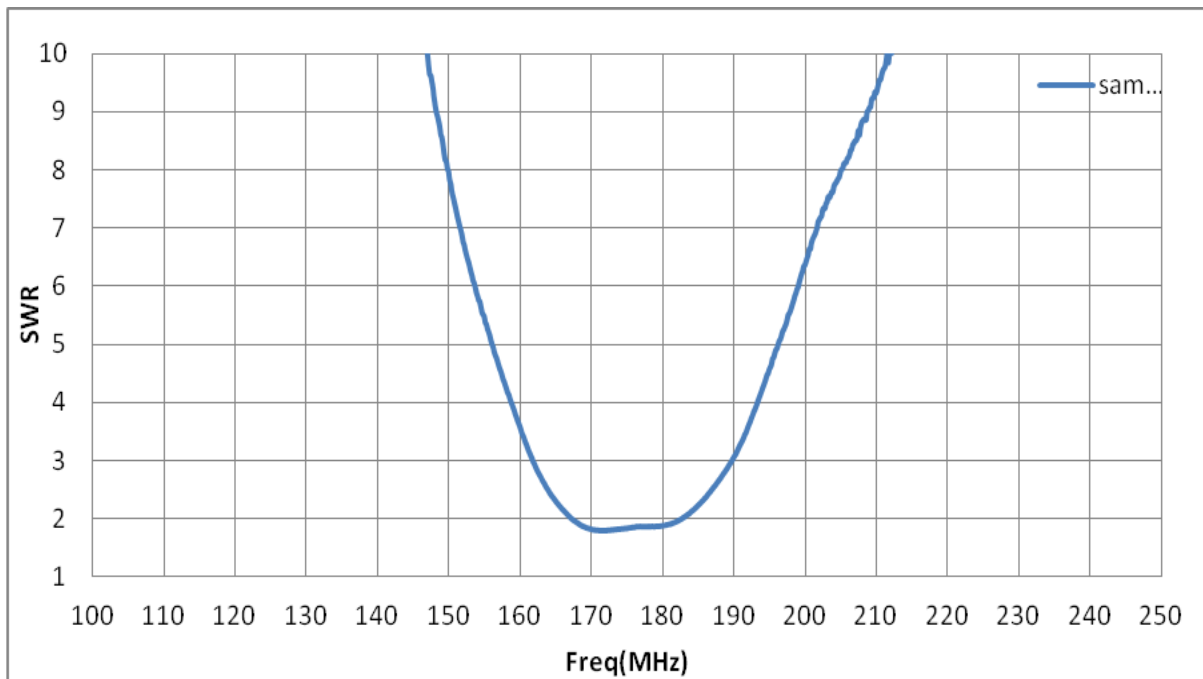
\* For low frequency antennas these parameters can only be estimated using RF formula calculation, simulation or rough field test comparisons with large benchmark antennas.

### 3. Antenna Characteristics

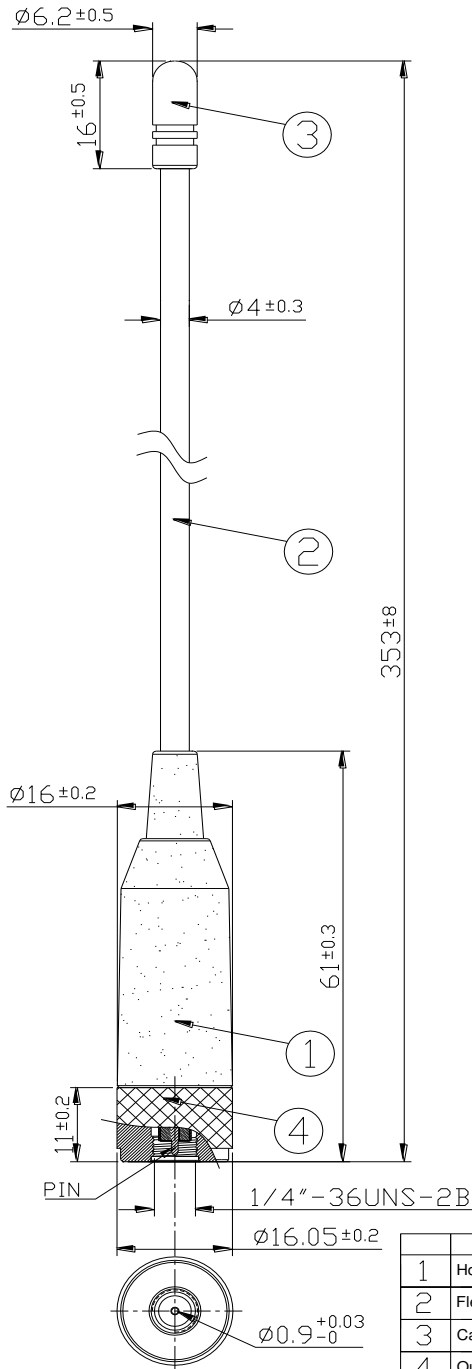
#### 3.1 Antenna setup

Antenna is placed on metal ground 30x30cm

#### 3.2 SWR (on metal ground plane 30x30cm)

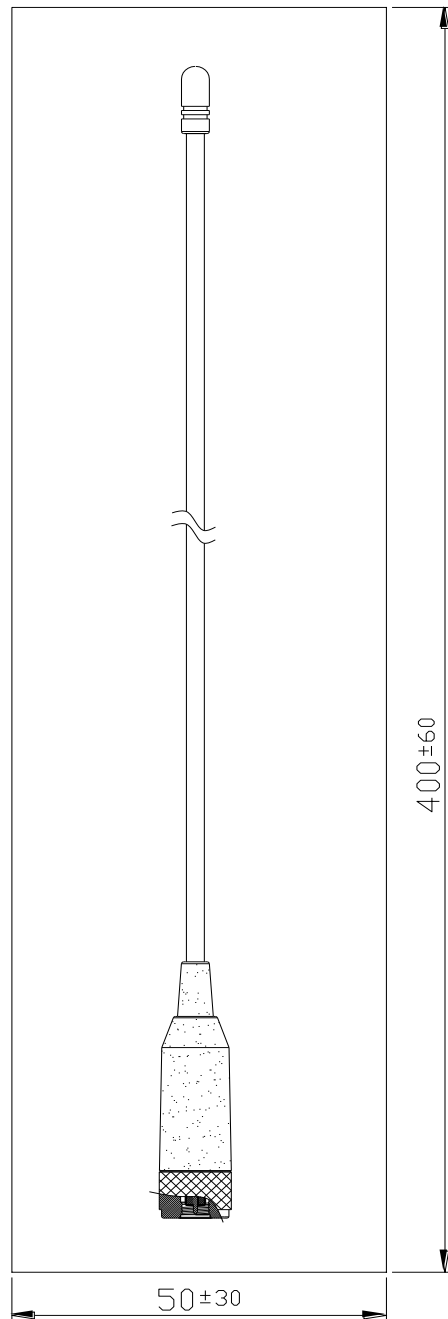


## 4. Drawing



	Name	P/N	Material	Finish	QTY
1	Housing	000111K0600XXA	ABS	Black	1
2	Flexible Whip	001111K0000XXA	Steel+PE Jacket	Black	1
3	Cap	000711C0000XXA	ABS	Black	1
4	Outer Body SMA(M)	000611B0000XXA	Brass	Black	1

## 5. Packaging



1PCS/BAG