

## SPECIFICATION

- Part No. : **GSA.8825.051N11**
- Product Name : I-Wand Penta-Band GSM Antenna  
Works with  
AMPS 850MHz/GSM 900/DCS 1800MHz/PCS  
1900MHz/UMTS 3G
- Features : Easy installation – Adjustable Clip  
Fully customized cable and connector  
Standard = Length 0.5M with SMK connector  
**RoHS Compliant**

Photo :



## 1. Introduction

The **GSA.8825** I-Wand Penta-band GSM Antenna is flexible and robust. Its Omni-directional gain across all bands ensures constant reception and transmission. It is a high gain, high efficiency solution. Cables and connectors are fully customizable.

## 2. Antenna Specifications

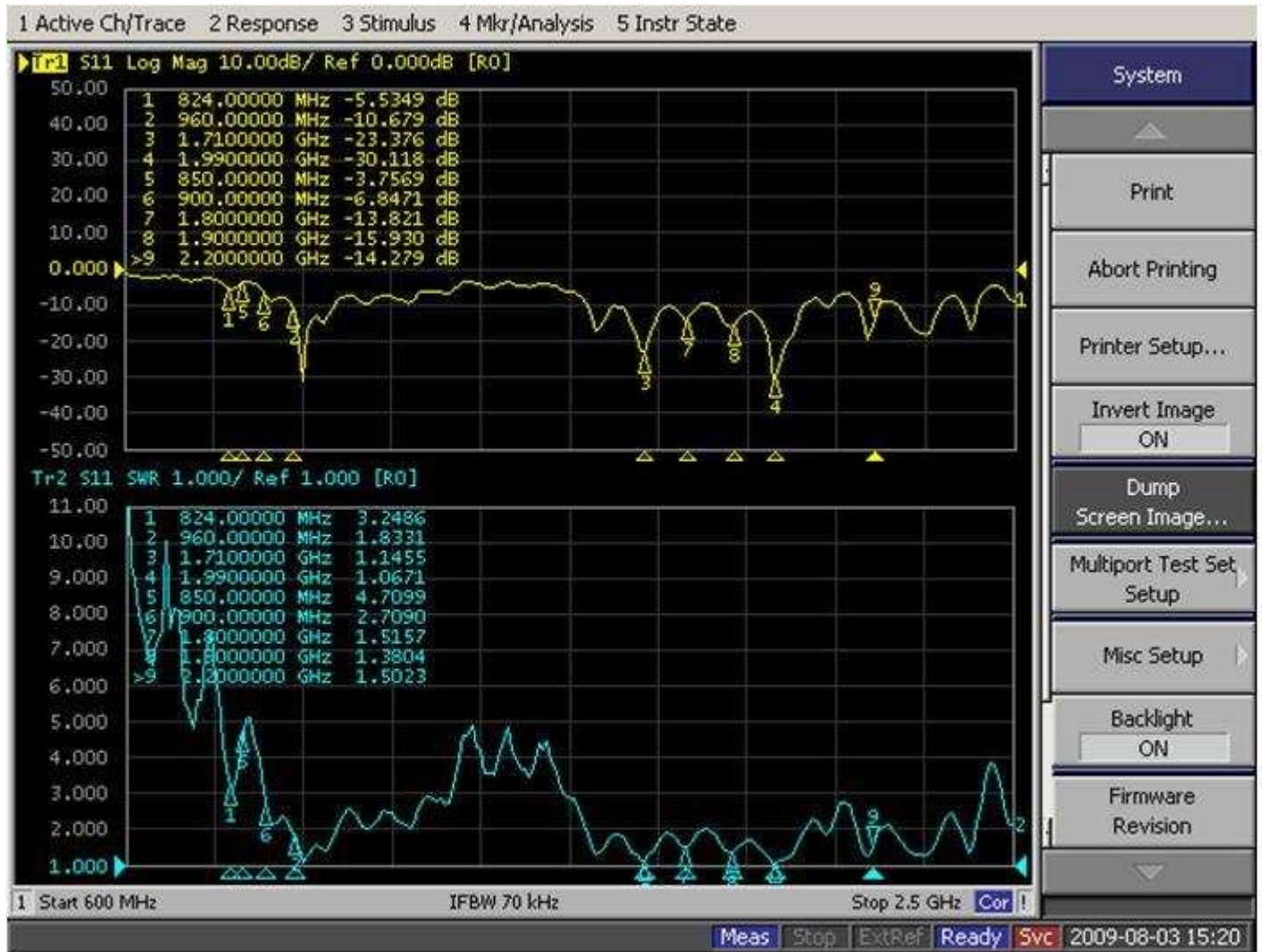
| Communication System | Penta-band Cellular                                |         |           |           |           |
|----------------------|--|---------|-----------|-----------|-----------|
|                      | AMPS   | GSM     | DCS       | PCS       | UMTS      |
| Frequency (MHz)      | 824 ~ 896  | 880~960 | 1710~1880 | 1850~1990 | 1710~2170 |
| Impedance            | 50 Ohm   |         |           |           |           |
| Radiation Pattern    | Omni-directional                                   |         |           |           |           |
| Polarization         | Linear (Vertical)                                  |         |           |           |           |
| Gain                 | 2dBi   |         |           |           |           |
| Input Connection     | Coaxial Cable - RG174 Standard, Fully customizable |         |           |           |           |
| VSWR                 | < 2.0 : 1  |         |           |           |           |
| Dimensions (mm)      | 140 x 25.2mm                                       |         |           |           |           |
| Weight               | 48g  |         |           |           |           |
| Casing               | Engineering Plastic - Black                        |         |           |           |           |
| Temperature Range    | -40°C to +85°C                                     |         |           |           |           |

### 3. Antenna Electrical Characteristics

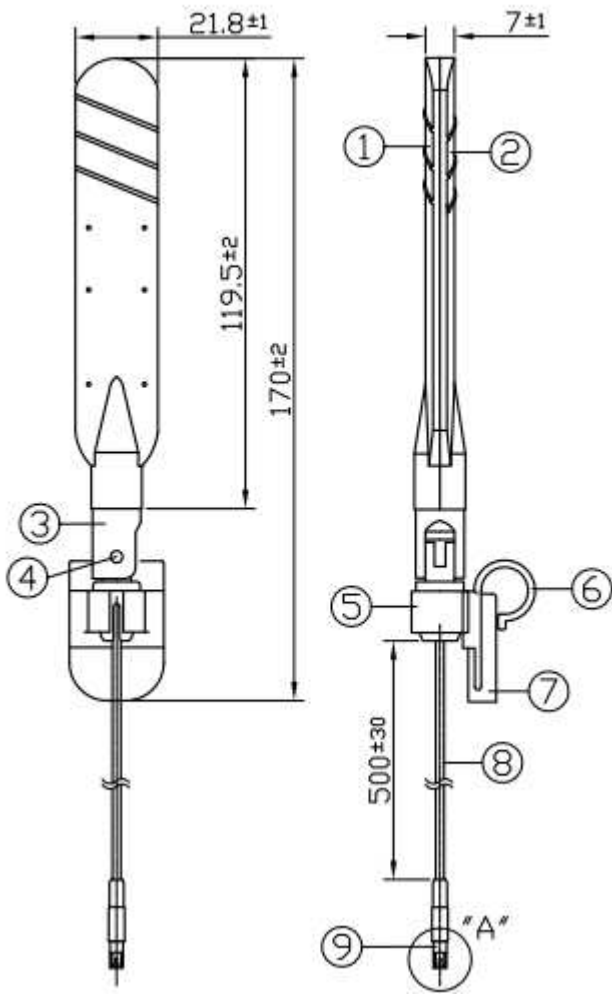
#### 3.1 Return Loss & VSWR – GSA.8825– 1M RG-174 FME(F)



### 3.2 Return Loss & VSWR – GSA.8825.101N11 – 1M RG-174 SMK(M)



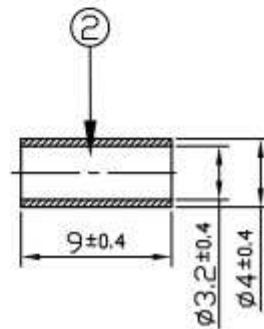
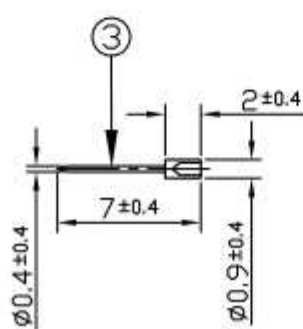
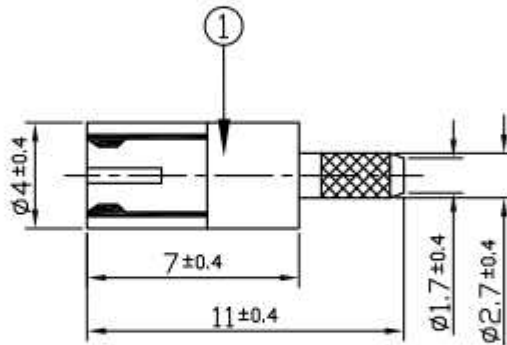
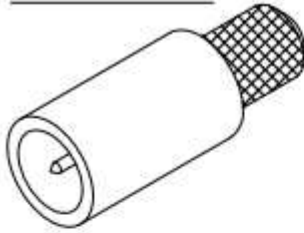
## 4. Mechanical Drawing (unit:mm)



|   | Name           | Material | Finish | QTY |
|---|----------------|----------|--------|-----|
| 1 | Housing_Top    | ABS      | Black  | 1   |
| 2 | Housing_Bottom | ABS      | Black  | 1   |
| 3 | Hinge_Top      | ABS      | Black  | 1   |
| 4 | Rotary Shaft   | ABS      | Black  | 1   |
| 5 | Hinge_Bottom   | Brass    | Black  | 1   |
| 6 | Body_Fix       | ABS      | Black  | 1   |
| 7 | Sheet_Fix      | ABS      | Black  | 1   |
| 8 | RG-174         | PVC      | Black  | 1   |
| 9 | SMK(M) ST      | Brass    | Gold   | 1   |

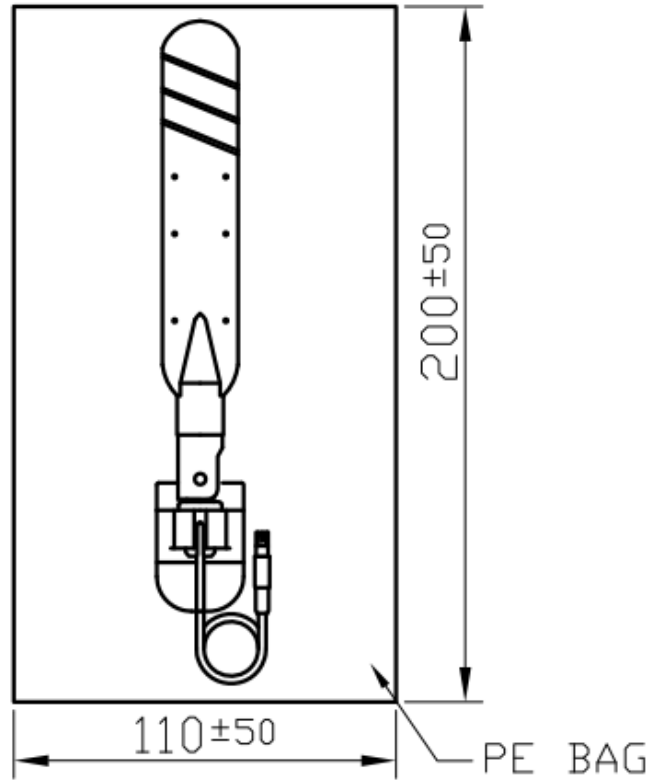
## 4.1 Connector Drawing

### 3D View



| P/N | Name          | Material | Finish | QTY |
|-----|---------------|----------|--------|-----|
| ①   | Assembly Body | Brass    | Gold   | 1   |
| ②   | Ferrule       | Brass    | Gold   | 1   |
| ③   | PIN(M)        | Brass    | Gold   | 1   |

## 5. Packaging



PACKING:1PCS/BAG