

SPECIFICATION

Part No. : **PCB.MMCXFSTJ.SMT.HT**

Product Name : MMCX(F) Surface Mount Jack

Feature : MMCX(F) Jack
Surface Mount PCB Jack
Frequency Range: DC up to 6GHz
Finish: Gold
Leg Length: 0.76mm
Total Length: 5mm
RoHS Compliant



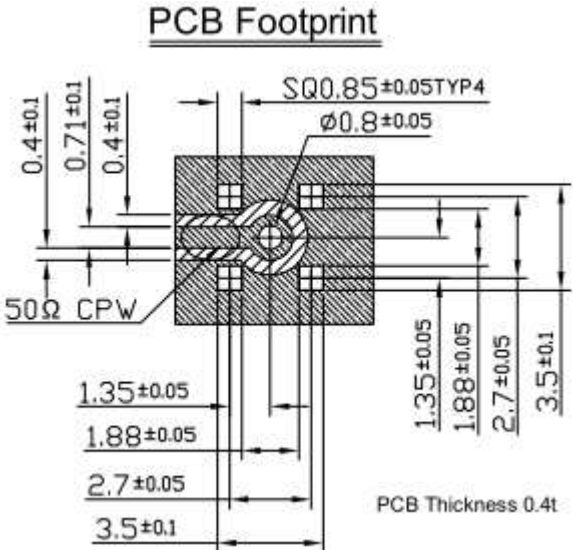
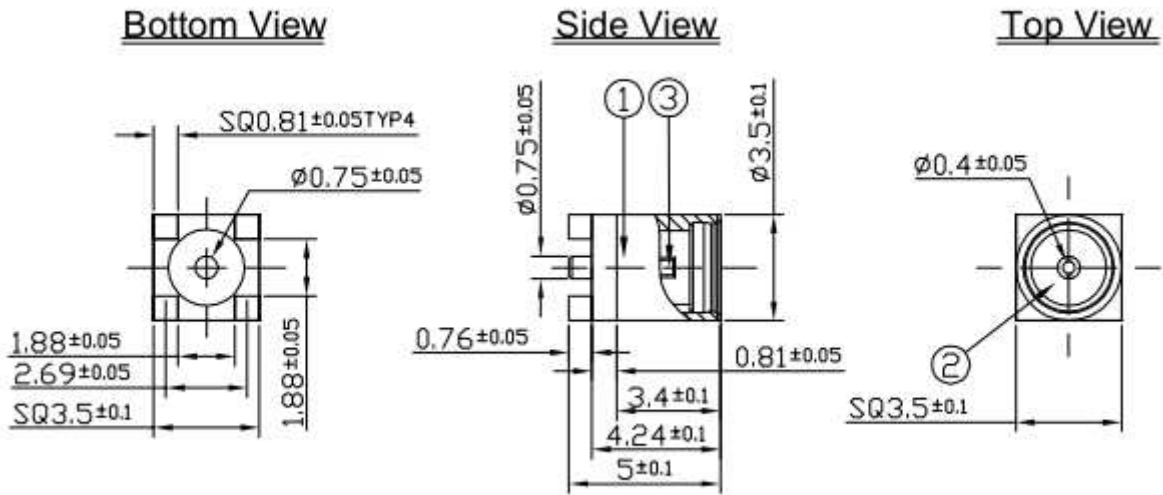
1. Introduction

The PCB.MMCXFSTJ.SMT.HT connector was designed to be surface mounted on a PCB. The maximum thickness of PCB that the connector can be used with is 0.4mm. The connector pin is directly soldered onto pads on the PCB. The connector is a standard MMCX (F) Jack. Taoglas connectors are all RoHS compliant.




2. Specification

ELECTRICAL	
Impedance	50Ω
Frequency Range	DC~6 GHz
Working Voltage	Max. ≤170 Vrms
Dielectric withstanding Voltage	500 Vrms
Insulation Resistance	≥1000M MΩ
MECHANICAL	
Connector Dimension	5mm*Ø3.5mm
Max. Thickness PCB acceptable	0.4 mm
Connector Pin Diameter	0.75 mm
Connector Type	MMCX(F) Jack for surface Mount
ENVIRONMENTAL	
RoHS compliant	

3. Connector Drawing



Note:

- 1 Copper Area 
- 2 Through Hole Area 
- 3 Clearance Area 

	Name	Material	Finish	QTY
1	Body	Brass	Gold	1
2	Insulator	Teflon	White	1
3	Female Contact	Phosphor Bronze	Gold	1

Taoglas makes no warranties based on the accuracy or completeness of the contents of this document and reserves the right to make changes to specifications and product descriptions at any time without notice. Taoglas reserves all rights to this document and the information contained herein. Reproduction, use or disclosure to third parties without express permission is strictly prohibited. Copyright © 2012, Taoglas Ltd.