

## SPECIFICATION

- Part No. : **CGGP.25.4.A.02**
- Product Name : 4mm thick GPS/GLONASS Patch Antenna,  
1575-1610MHz
- Feature : 25\*25\*4mm  
RoHS compliant



## 1. Introduction

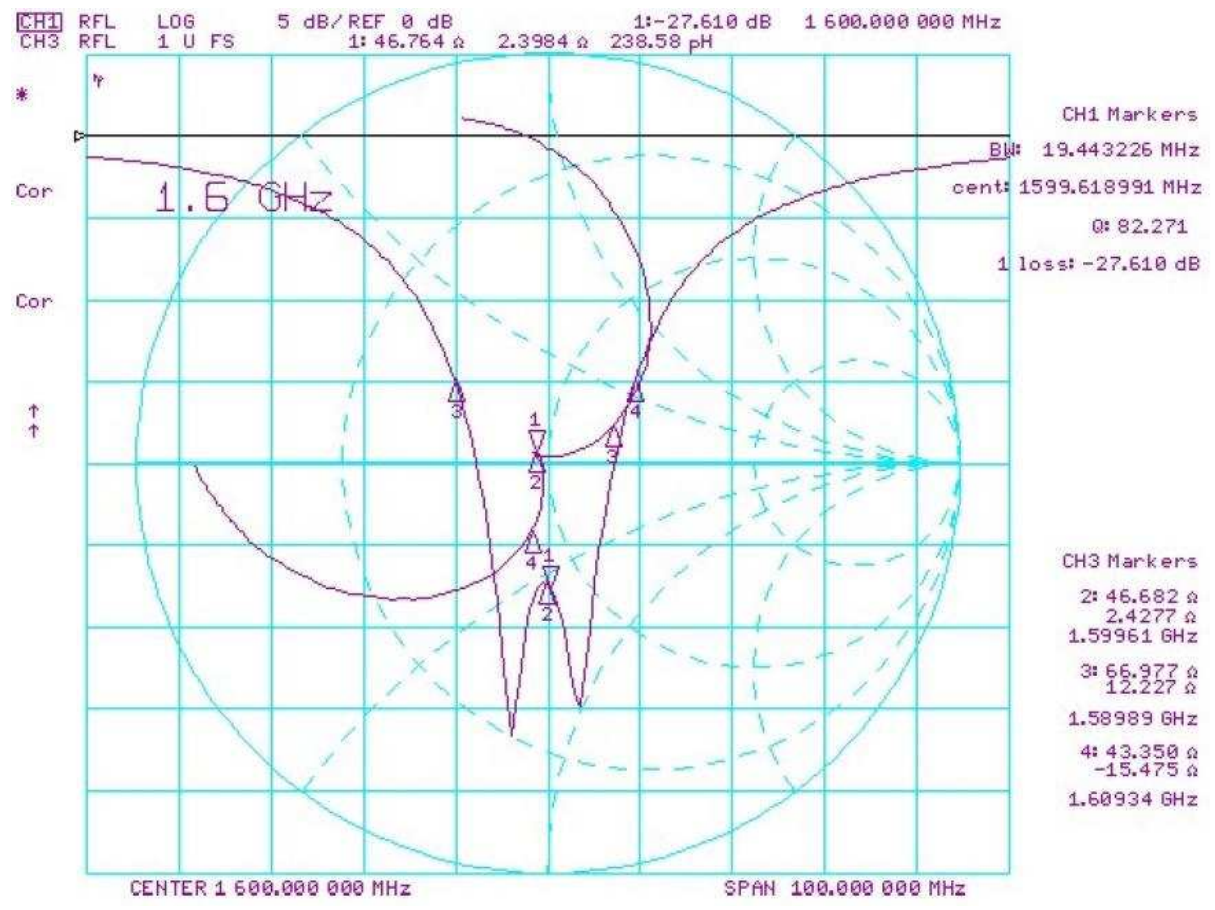
This miniaturized ceramic GPS patch antenna is based on smart *XtremeGain*™ technology. It is mounted via pin and double-sided adhesive and has been selected as optimal solution for the customer device environment.

## 2. Specification

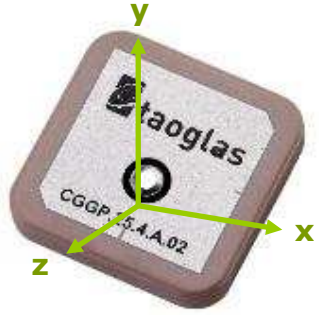
ELECTRICAL	
Center Frequency	1600MHz ± 3MHz
Bandwidth	15 MHz min Return Loss <-10dB
VSWR	1.5 max
Gain at Zenith	+5.0 dBic typ.
Gain at 10° Elevation	-1.0 dBic typ.
Axial ratio	3dB Max
Polarization	RHCP
Impedance	50 ohms
MECHANICAL	
Ceramic Dimension	25.1 x 25.1 x 4mm
Pin Diameter	0.9mm
Pin Length	1.8mm
ENVIRONMENTAL	
Operation Temperature	-40°C to 105°C
Humidity	Non-condensing 65°C 95% RH

\* Antenna properties were measurement with the antenna mounted on 70mm\*70mm Ground Plane

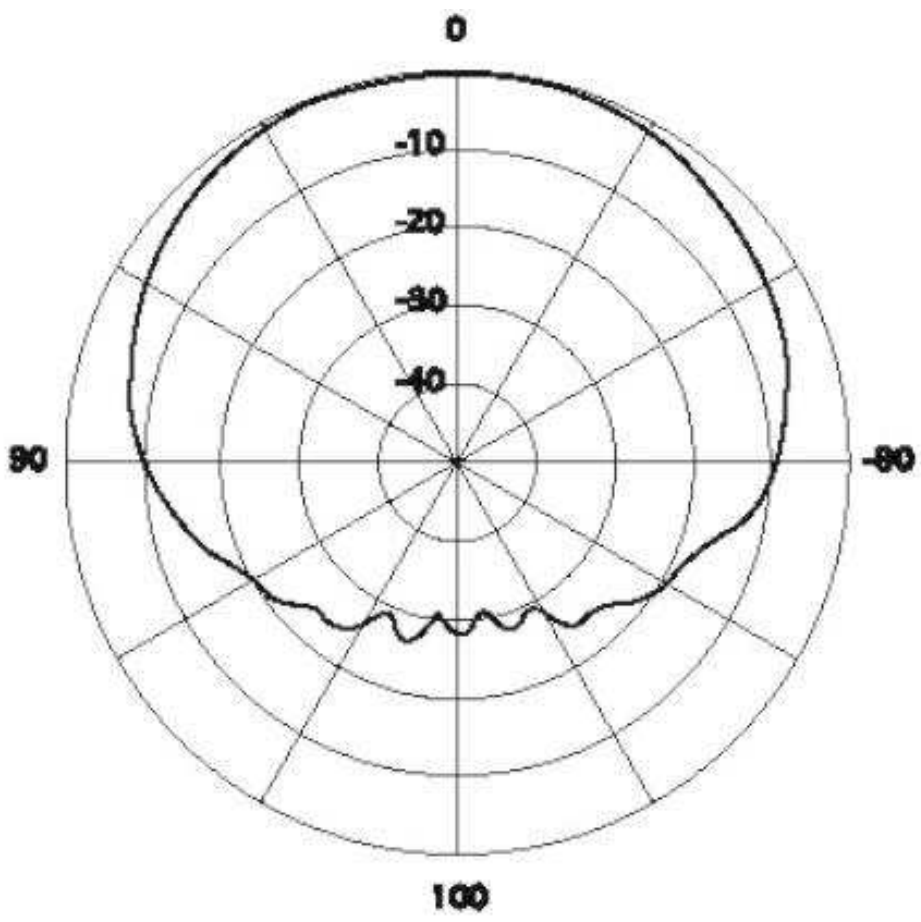
### 3. Antenna S11 Properties



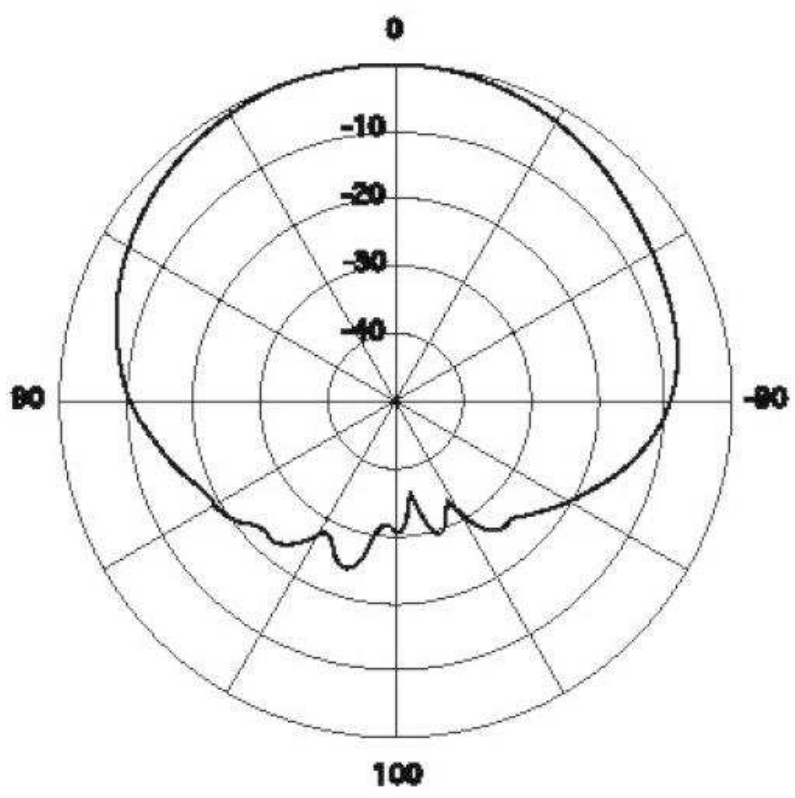
# 4. Antenna Radiation Properties



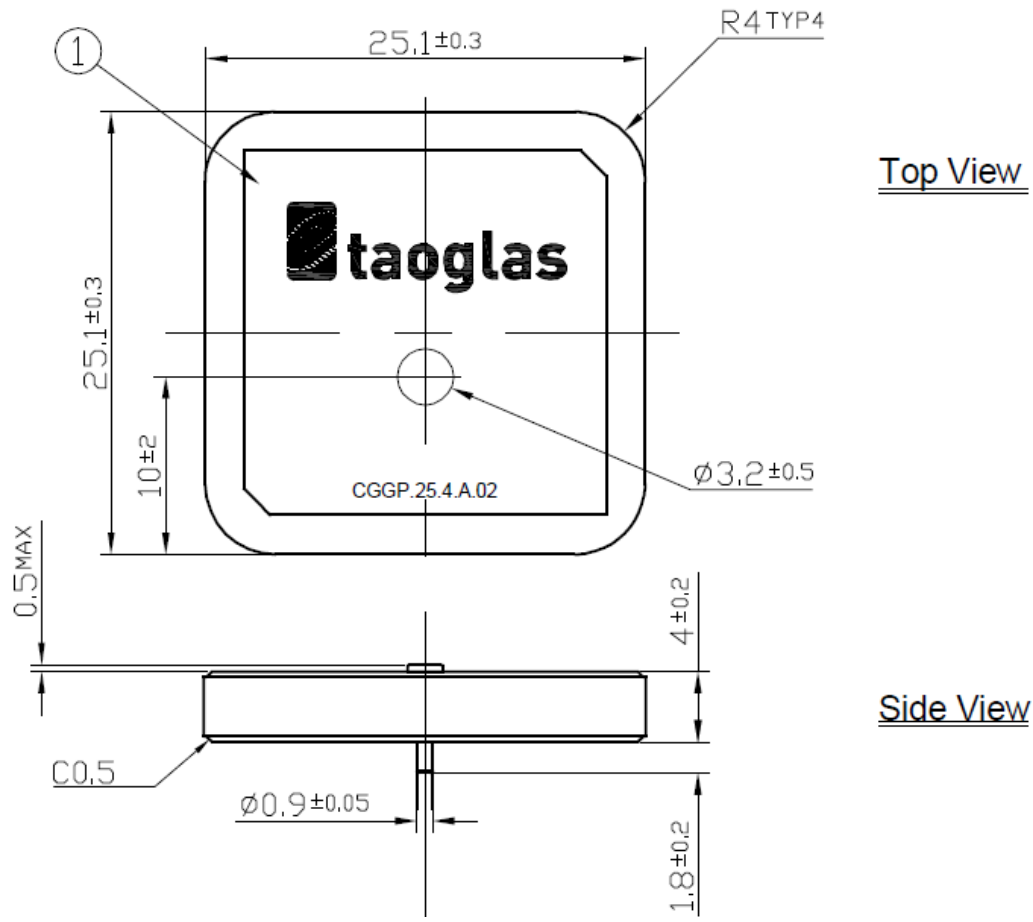
## 4.1. XZ – Plane Radiation



## 4.2. YZ- Plane Radiation

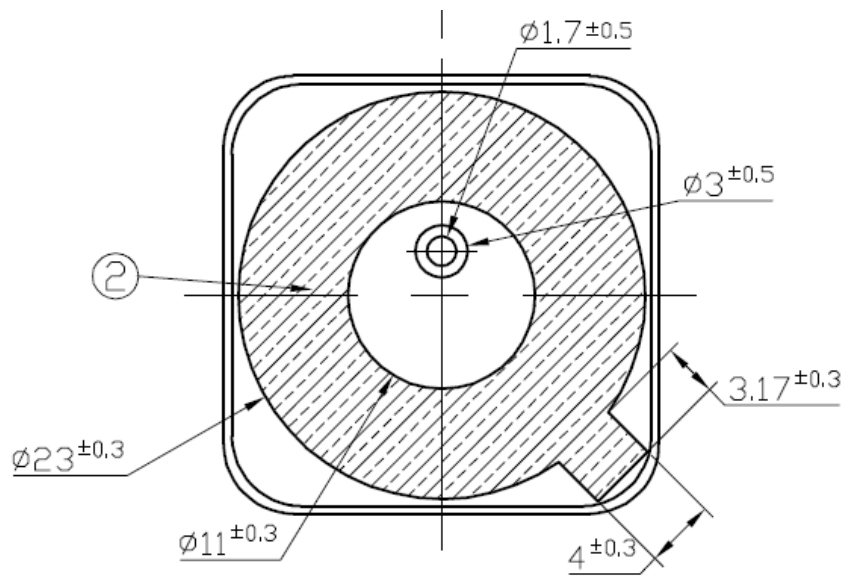


# 5. Mechanical Drawing

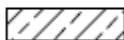


Top View

Side View

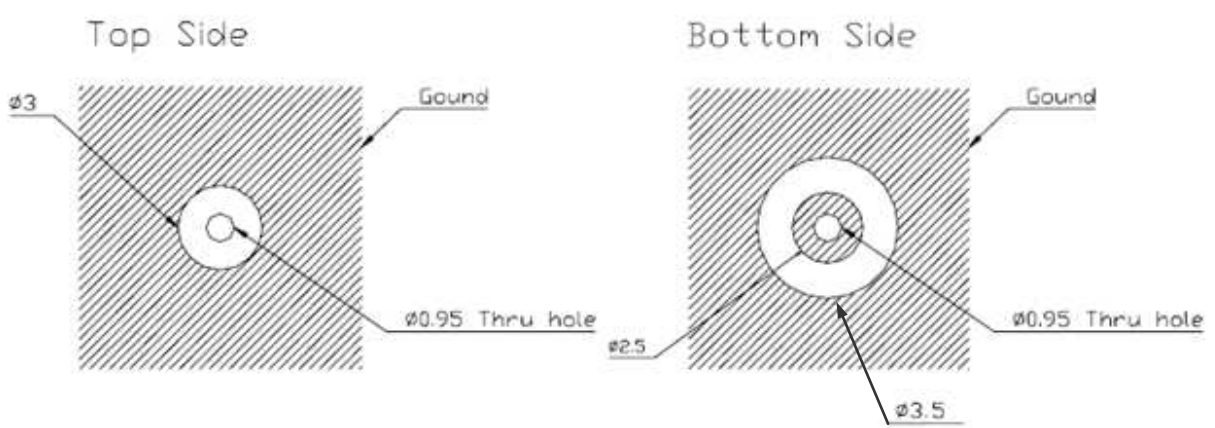


Bottom View

NOTES:  
 1. Double sided adhesive area. 

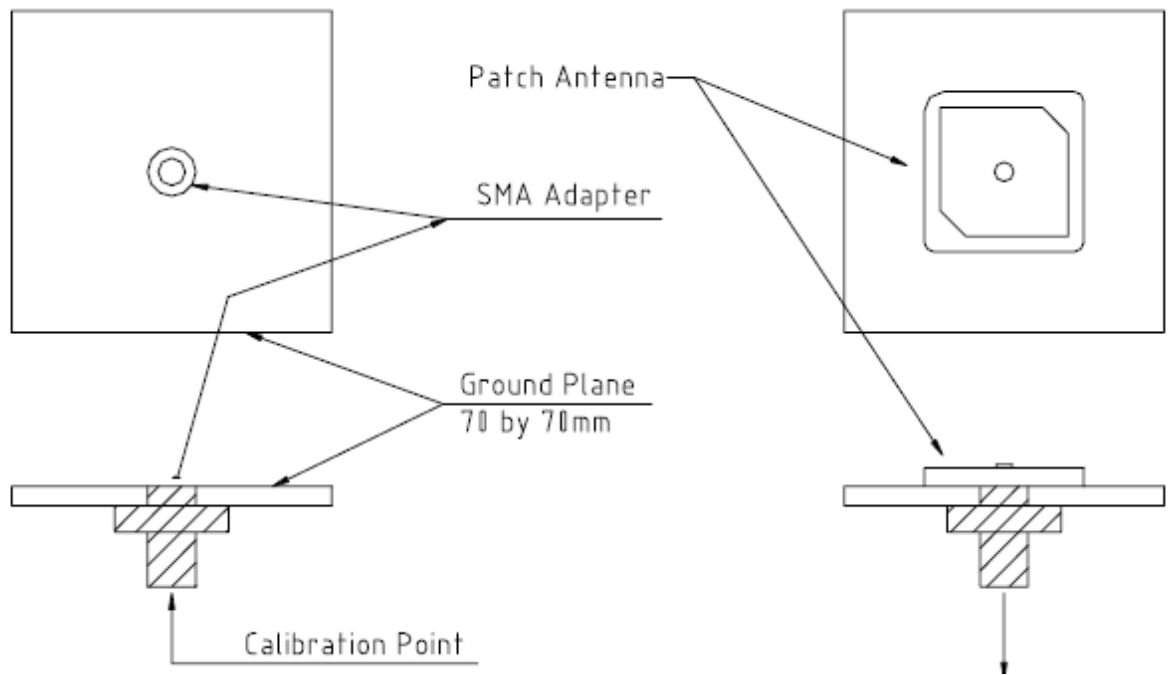
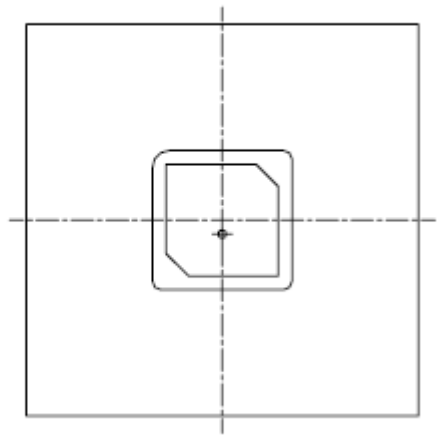
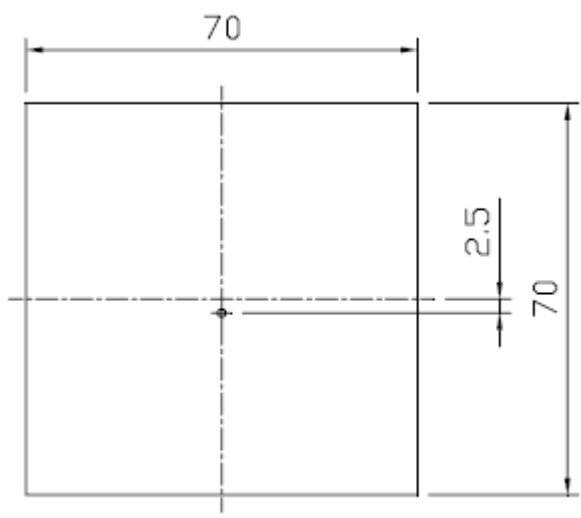
Unit : mm

## 6. PCB Footprint Recommendation



Unit : mm

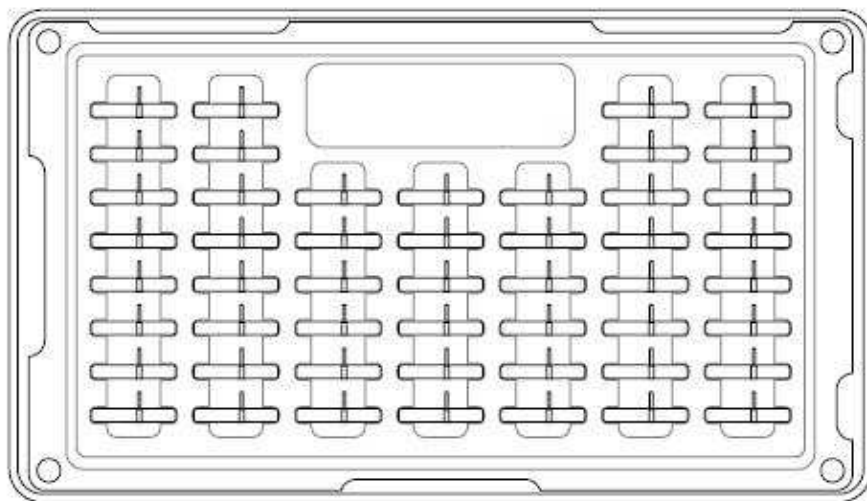
# 7. Evaluation Board





## 8. Packaging

### 8.1. Inner Tray



200 pieces per tray

## 8.2. Carton

