

## SPECIFICATION

Part No. : **GP.1575.35.3.A.02**

Specification No : **GP.35A**

Product Name : **3.5mm thick GPS Patch Antenna, 1575MHz**

Features : 35mm\*35mm\*3.5mm  
ROHS Compliant

:



## 1. Introduction

This 35\*35mm ceramic GPS patch antenna is based on smart *XtremeGain*™ technology. It is mounted via pin and double-sided adhesive and has been tuned as optimal solution for the customer device environment.

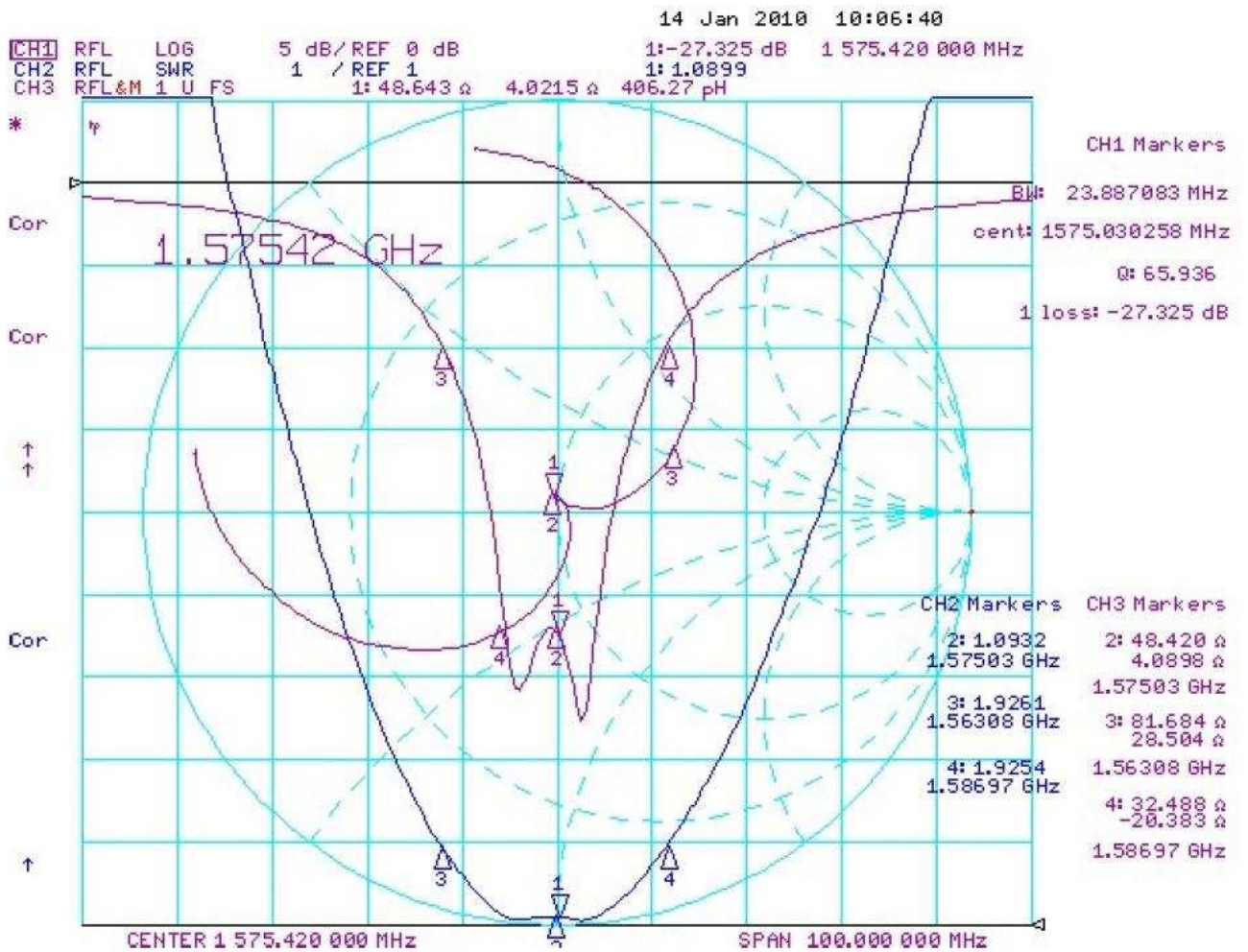
## 2. Key Antenna Performance Indicators

Original Patch Specification tested on 50\*50mm ground plane

No	Parameter	Specification	Notes
1	Range of Receiving Frequency	1616~1626.5MHz	
2	Center Frequency	1575MHz ± 6MHz	With 50x50mm ground plane
3	Bandwidth	22MHz min	Return Loss ≤ -10 dB
4	VSWR	1.5 max	Center Frequency
5	Gain at Zenith	2.0 dBic typ.	
6	Gain at 10°elevation	1.5dBic typ.	
7	Axial Ratio	3 dB max	
8	Polarization	RHCP	
9	Impedance	50 Ohms	
10	Frequency Temperature Coefficient ( Tf )	0 ± 20ppm / °C	-40°C to +85°C
11	Operating Temperature	-40°C to +85°C	

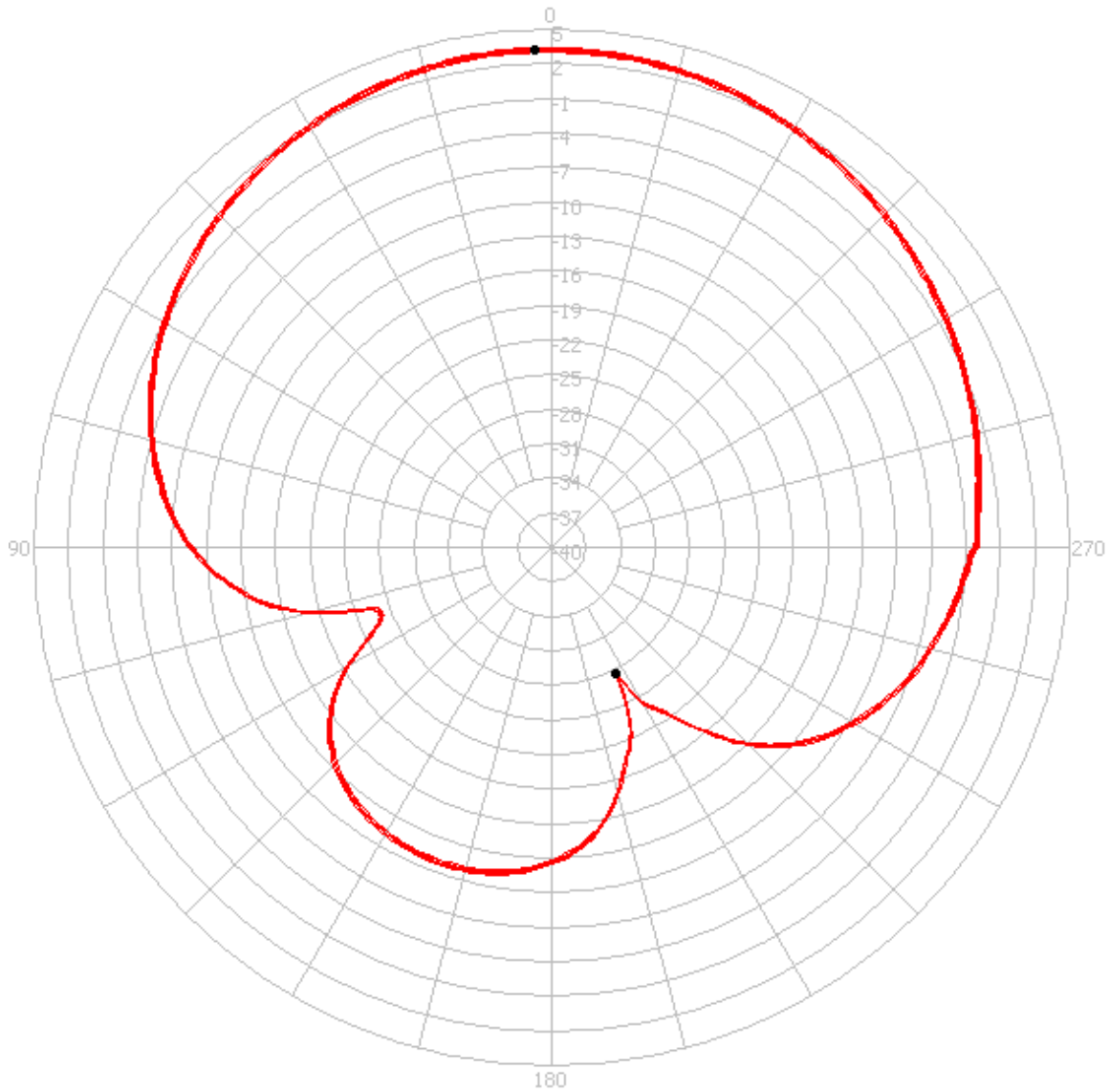
### 3. Electrical Specification

#### 3.1 Smith Chart

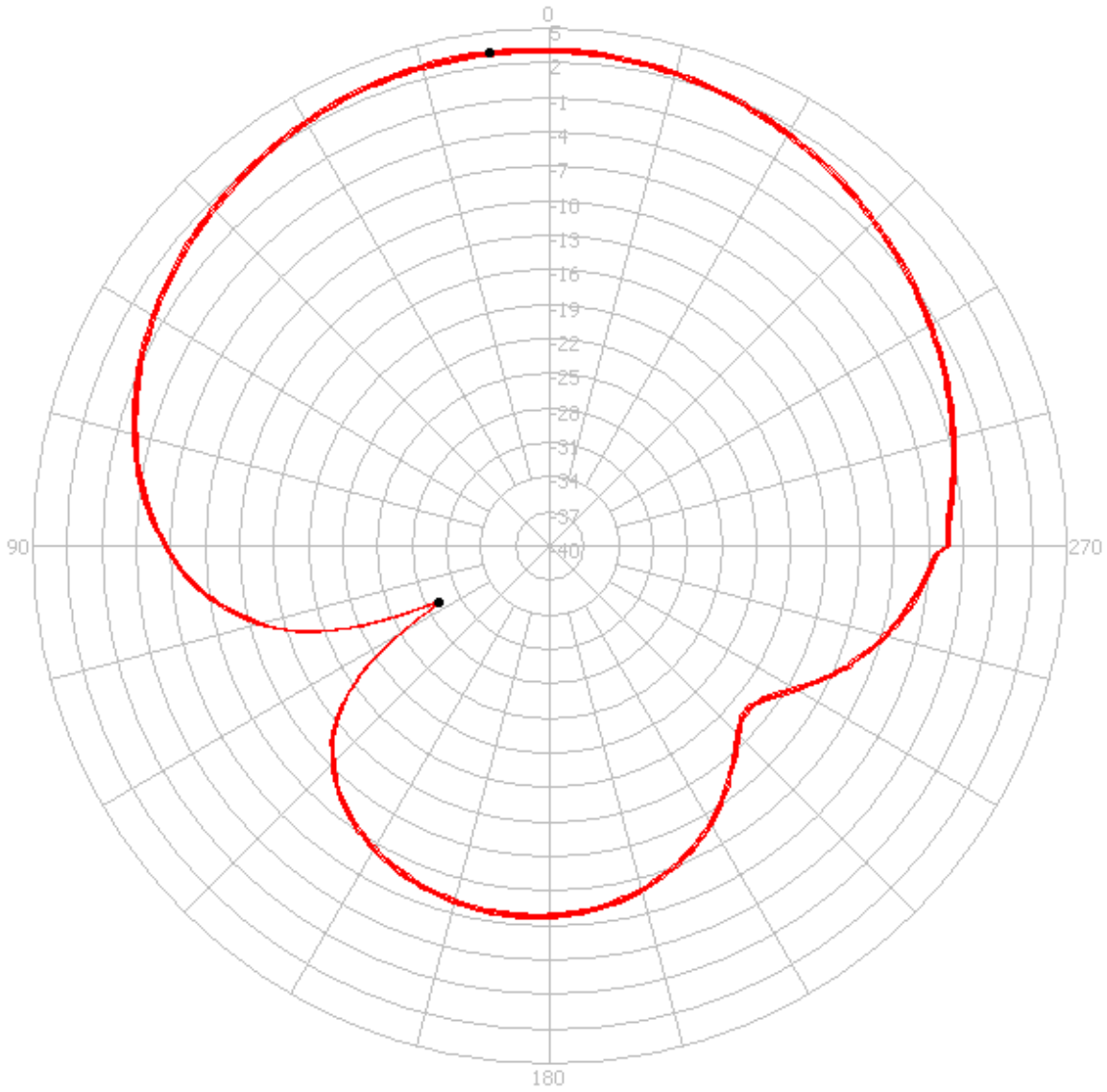


## 4. 2D Radiation

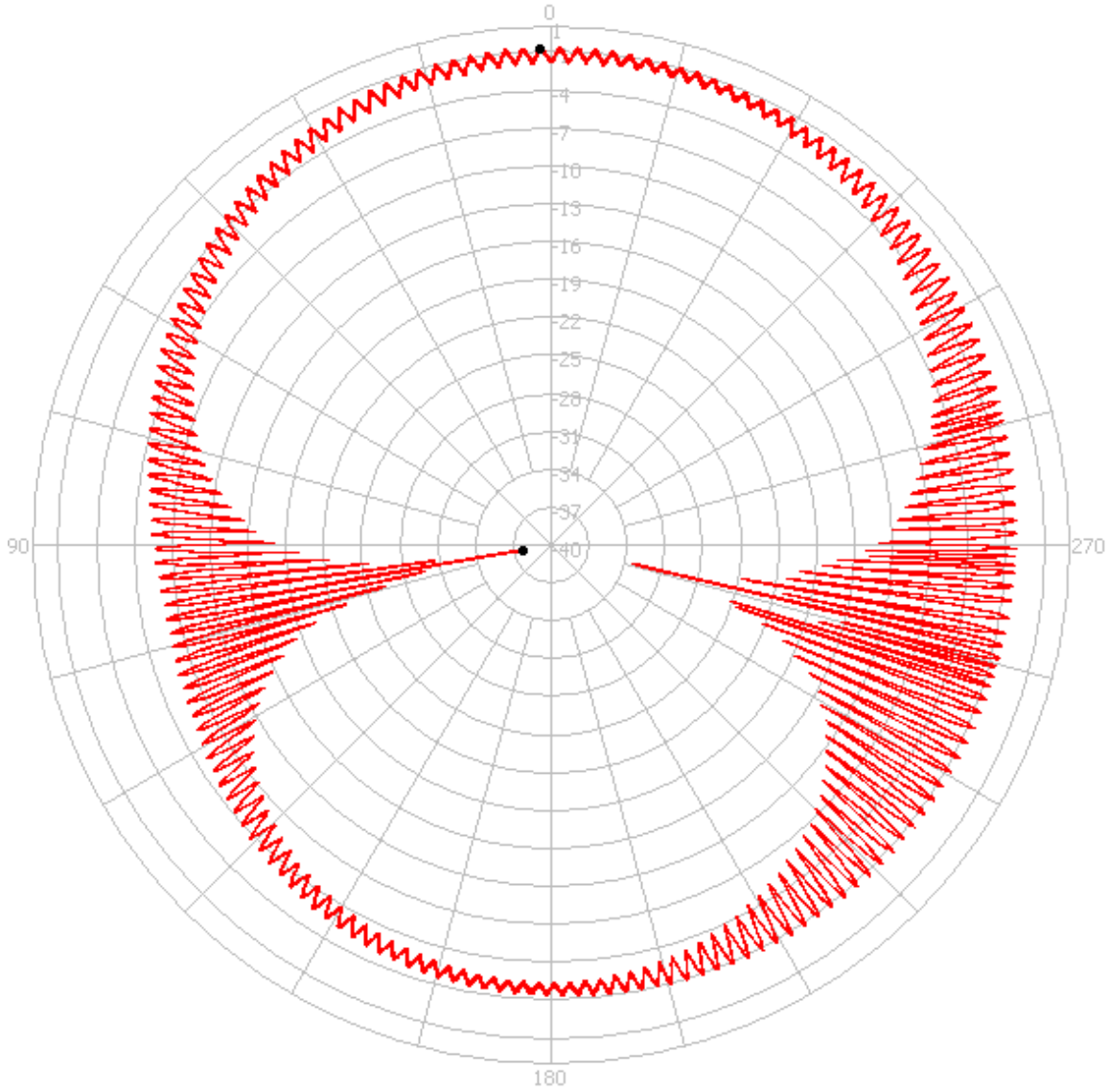
### 4.1 XZ Plane Radiation



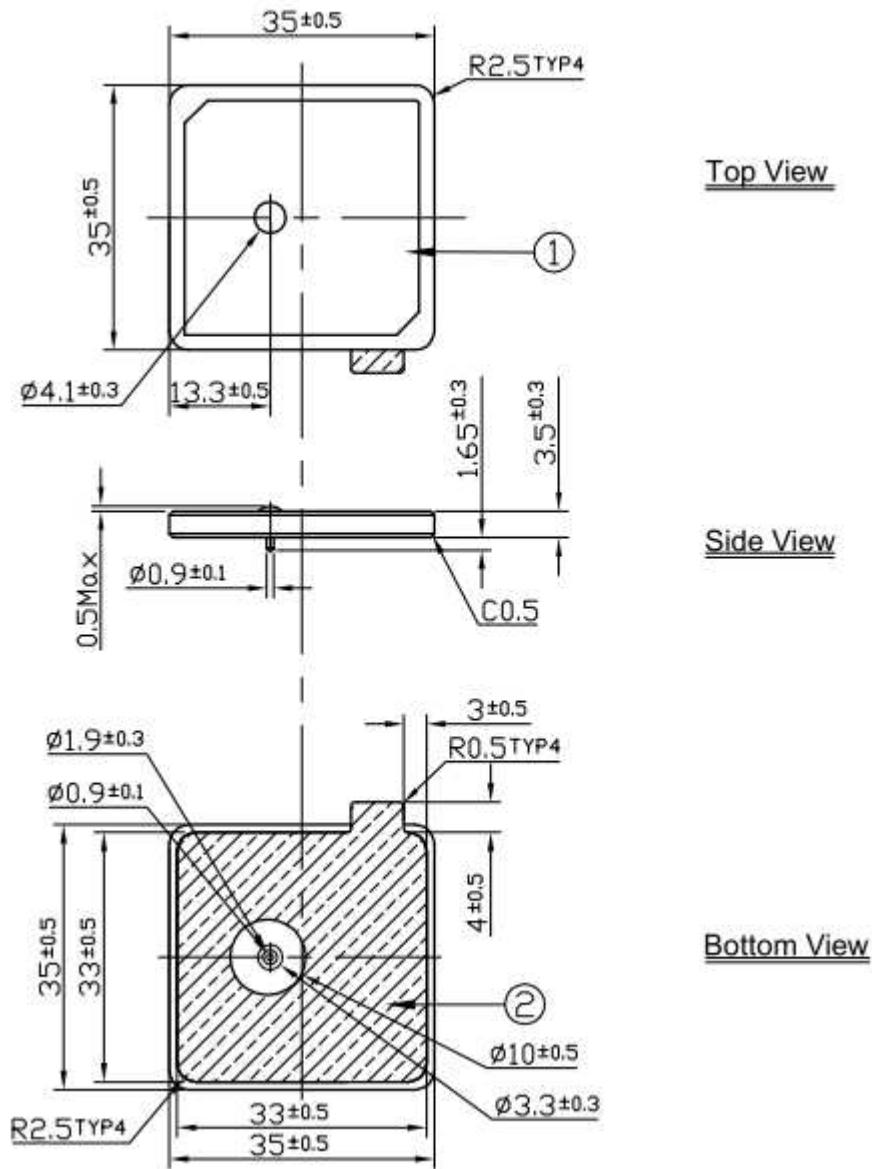
## 4.2 YZ Plane Radiation




### 4.3 Axial Ratio

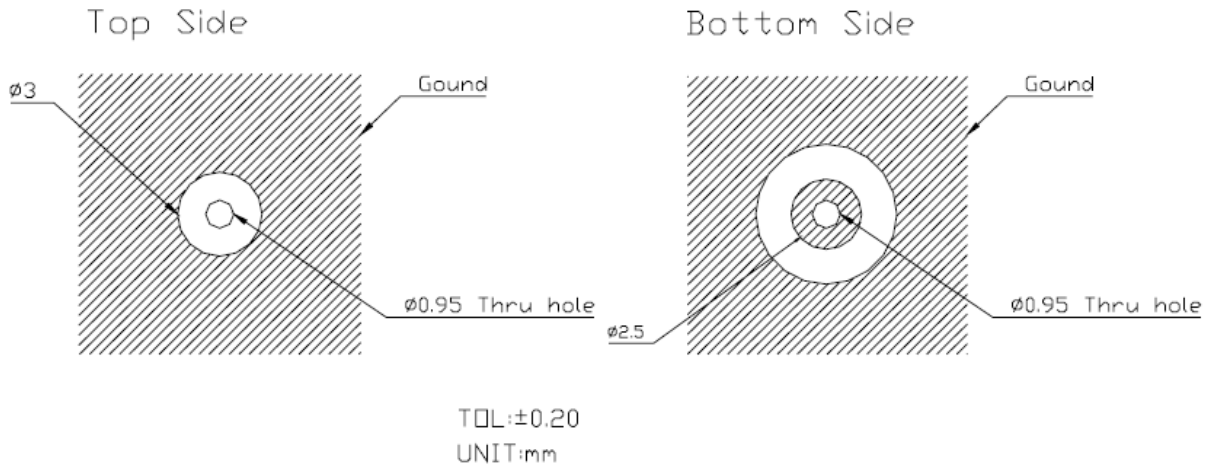


## 5. Mechanical Drawing

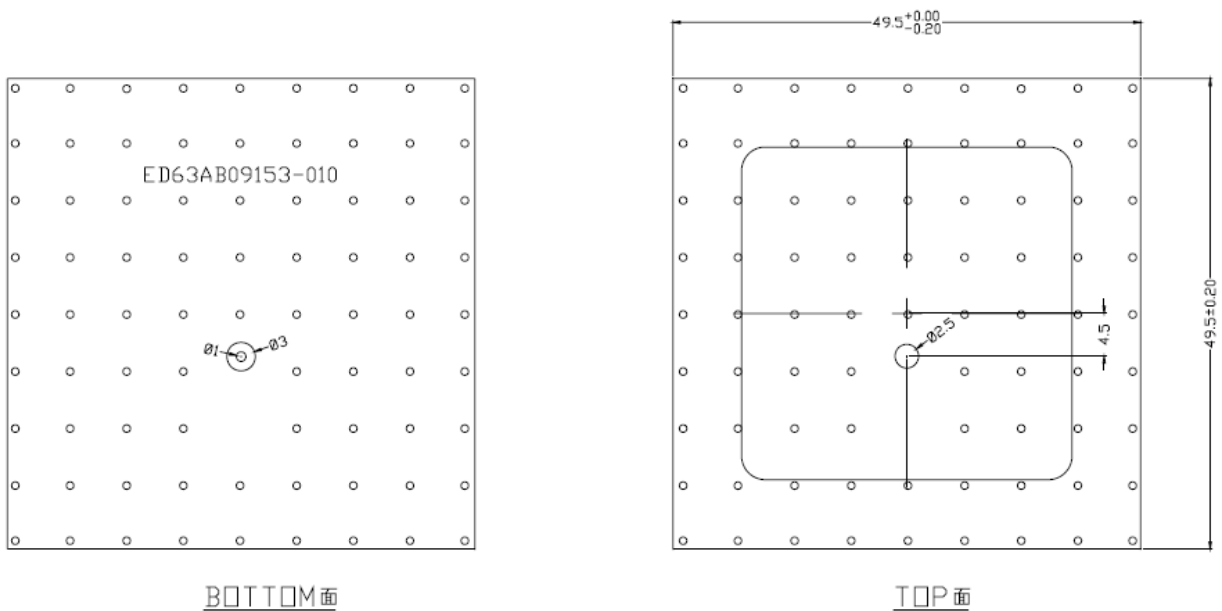


	Name	Material	Finish	QTY	NOTES:
1	GP.35 Patch 35x35x3.5	Ceramic	Clear	1	1. Double sided adhesive area. 
2	Double sided Adhesive	NITTO 5015	White Liner	1	

## 5.1 Layout Dimensions

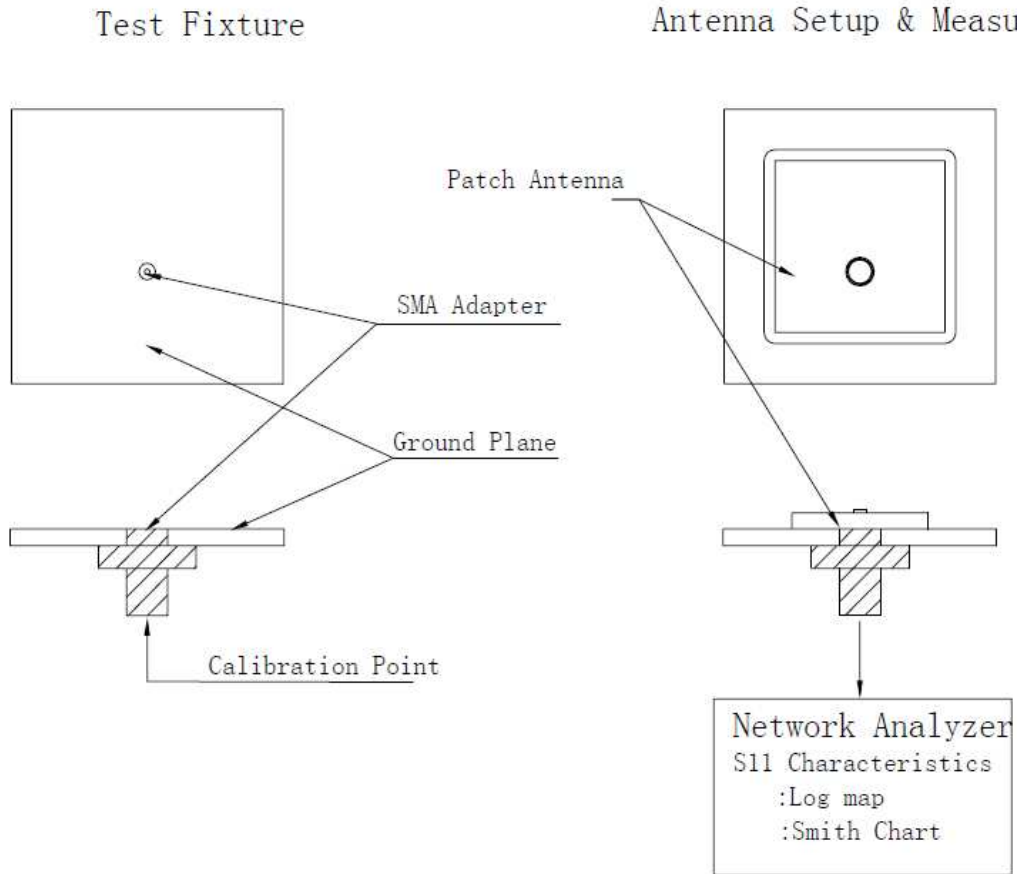


## 5.2 Test Jig and Dimension





### 5.3 Test Fixture Antenna Setup and Measurements



## 6. Packing

