



SPECIFICATION

Part No. : **GW.26. 0151**

Product Name : 2.4GHz Miniature Screw mount Dipole Antenna

Description : SMA Reverse Male Connector
Length $30.3 \pm 1\text{mm}$
ROHS Compliant



REVISION STATUS

Version	Date	Page	Revision Description	Prepared	Approved
01	Jun 16 th 2009	All	New product	TW Product Centre	Ronan Quinlan



Specification

1.0 Introduction

The GW.26 2.4 GHz dipole reverse SMA plug mount antenna is ideal for 2.4 GHz wireless applications such as Bluetooth and Wireless LAN. Connector mount is fully customizable.

2.0 Electrical Properties

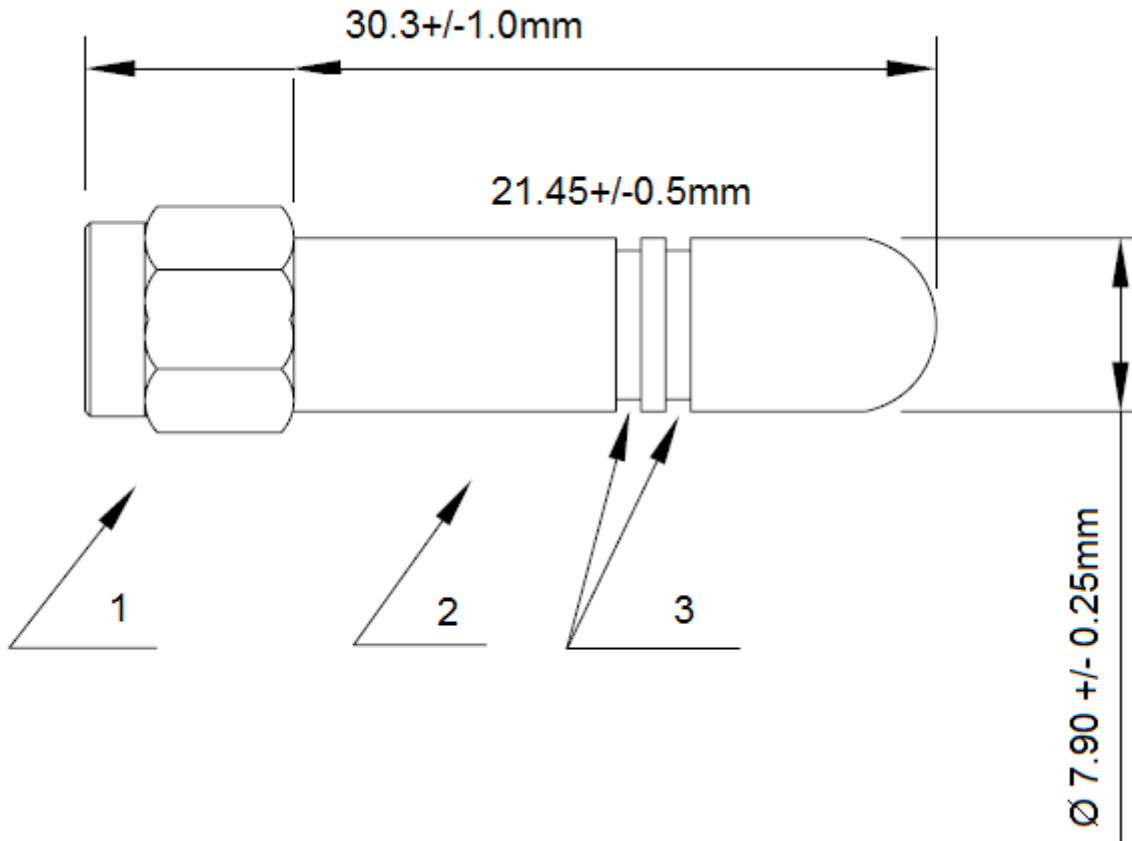
1.1	Frequency	2.4 GHz ~ 2.483 GHz
1.2	Gain (peak)	<0 dB Peak
1.3	V.S.W.R	<2.0 Max
1.4	Radiation	Omni-directional
1.5	Polarization	Vertical
1.6	Power Handling	1W Max
1.7	Electrical Wave	$\frac{1}{2} \lambda$: Dipole
1.8	Impedance	50 Ω
1.9	Operating Temperature	-40 °C ~ +85 °C

3.0 Mechanical Properties

2.1	Color	Black and Green
2.2	Connector	SMA Plug Reverse



4.0 Outline Drawings and Structure



Key

1	Connector	RP-SMA Brass
2	Antenna Cover	TPU (Black)
3	Colour Stripes	Apple Green



5.0 Measurements

5.1 VSWR





Specification

5.2 Return Loss (S11 Mag.)

