

DWG. NO. JBXEA0G05FSSDSC

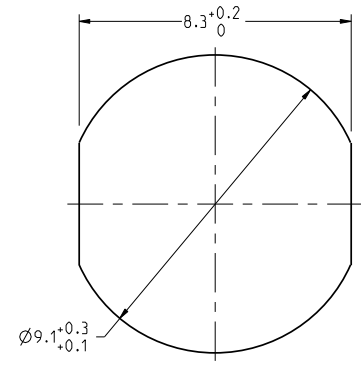
THIS DRAWING IS A CONTROLLED DOCUMENT FOR SOURIAU USA, INC. CONTACT THE DOCUMENT CONTROL CENTER FOR THE LATEST REVISION.

C

B

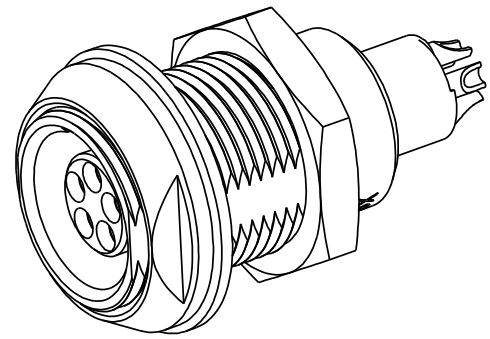
THE INFORMATION CONTAINED IN THIS DRAWING IS CONFIDENTIAL AND MAY NOT BE DISCLOSED WITHOUT WRITTEN CONSENT FROM SOURIAU USA, INC.

4



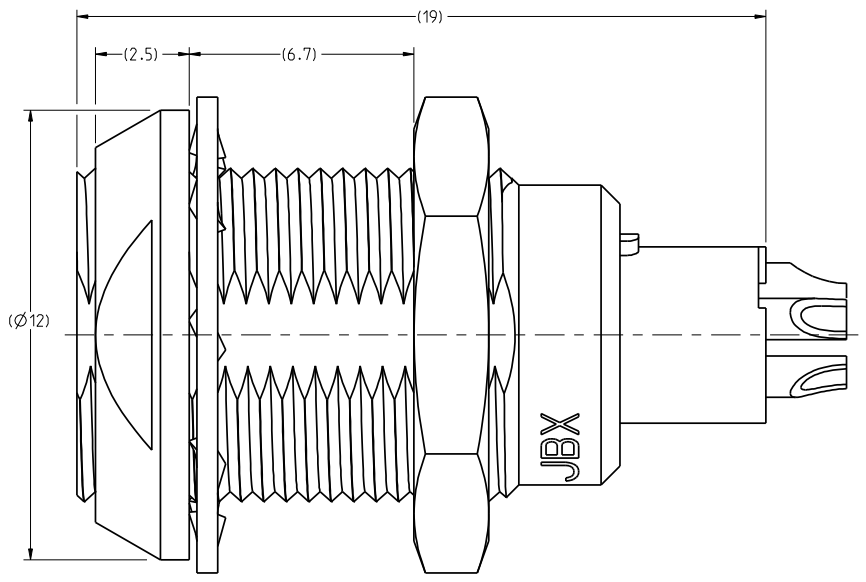
RECOMMENDED PANEL CUTOUT

3



SCALE 5:1

2



NOTES:

MATERIAL:

OUTER SHELL & PANEL NUT : } BRASS CuZn40Pb3 (C38500/C36000)
 SHIELDING RING : }
 NUT : }

SOCKET CONTACT (SOLDER) : CUPRO-NICKEL CuNi1Pb1P (CDAC 19150)

INSULATOR : PEEK WITH 15% GLASS FILLED, COLOR BROWN

FINISH:

OUTER SHELL : CHROME OVER NICKEL UNDERCOAT

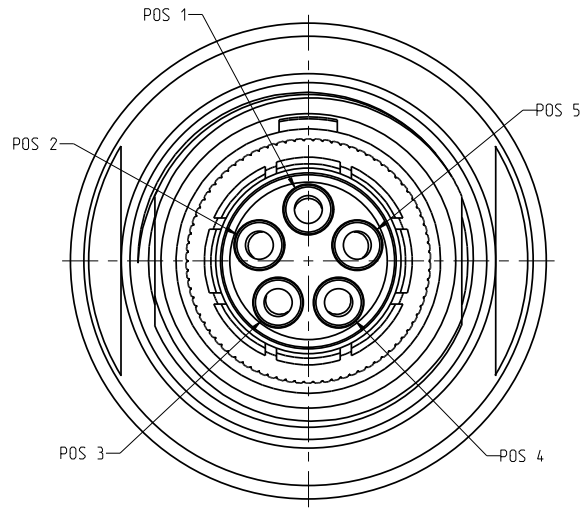
OTHER BRASS PARTS EXCEPT SOCKET CONTACTS : NICKEL

SOCKET CONTACTS : GOLD AS PER MIL-G-45204C TYPE 1.CLASS 00.

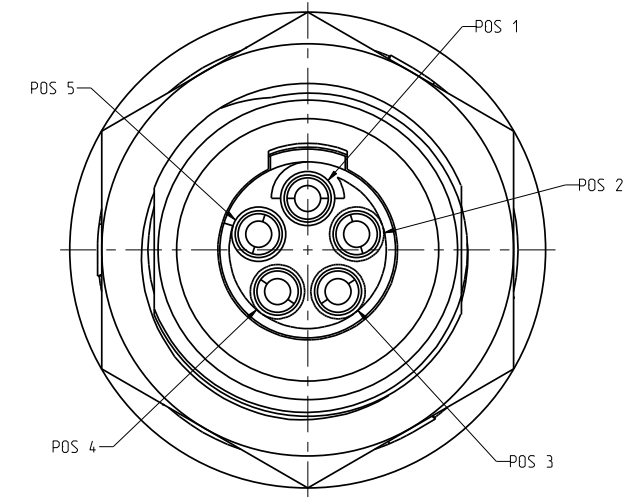
D

C

B



MATING SIDE VIEW



WIRE SIDE VIEW

A	RELEASED PER ECN 11353	SSF 01-26-11	SDH 01-26-11
REV	DESCRIPTION	BY DATE	CHKD DATE

DRAWING TITLE
JBX, SIZE 0, 5 POSITION EA RECEPTACLE

CAT NO. JBXEA0G05FSSDS

CAGE NO: 09922 SIZE: C

LINEAR MEASURE: (INCH) (MM)	
THIRD ANGLE PROJECTION	
TOLERANCES UNLESS OTHERWISE SPECIFIED	
No. OF PLACES	mm (INCH)
WHOLE No.	±0.5 (±.02)
ONE PLACE	±0.2 (±.008)
TWO PLACES	±0.1 (±.004)
ANGLES ±1°	

CUSTOMER

INTERPRET THIS DRAWING IN ACCORDANCE WITH ASME Y14.5M - 1994.



DRAWN:	SNL	12-23-10
CHKD:	TW	12-23-10
DSGN:	XXX	mm-dd-yy
MFG:	DH	12-23-10
QC:	DK	12-23-10
DRAWING SCALE: 8:1		
DRAWING NO.	REV	
JBXEA0G05FSSDSC	A	
1 OF 2		

A

4

3

2

1

PRO-E

DWG. NO.
JBXEA0G05FSSDSC

THIS DRAWING IS A CONTROLLED DOCUMENT FOR SOURIAU USA, INC.
CONTACT THE DOCUMENT CONTROL CENTER FOR THE LATEST REVISION.

C

B

THE INFORMATION CONTAINED IN THIS DRAWING IS CONFIDENTIAL AND MAY NOT BE DISCLOSED WITHOUT WRITTEN CONSENT FROM SOURIAU USA, INC.

ELECTRICAL:

EMI SHIELDING : SHIELDED FOR THE RANGE
55dB UP TO 100MHz

INSULATION RESISTANCE : >500M Ω PER ANSI-EIA-364-D METHOD 21

MAX. CURRENT RATING : (SEE TABLE 1)
MAXIMUM CURRENT THAT CAN BE APPLIED SIMULTANEOUSLY
ON EACH LINE OF THE CONNECTOR MATED PAIR, CONTINUOUSLY
DURING ITS LIFE TIME IN NORMAL CLIMATIC CONDITIONS.

CONNECTOR TESTING : 800Vrms
VOLTAGE TEST VOLTAGE IS APPROXIMATELY 75% OF THE DWV
VOLTAGE AT NORMAL CLIMATIC CONDITIONS. THIS
VOLTAGE CAN BE ACHIEVED SEVERAL TIMES, BUT NOT
APPLIED CONTINUOUSLY.

CONNECTOR WORKING : 400/260 (Vdc/ Vrms)
VOLTAGE WORKING VOLTAGE IS APPROXIMATELY 1/3 OF THE
TEST VOLTAGE. THIS VOLTAGE IS SUSTAINABLE FOR
THE LIFE OF THE CONNECTOR IN ITS WORKING
ENVIRONMENT.

PHYSICAL:

MAXIMUM WIRE SIZE USED : 26 AWG

ENVIRONMENTAL:

ENDURANCE: 1000 CYCLES AS PER MIL-STD 1344A, METHOD 2016.1

SHOCK: 50 g . DURATION 6 ms: AS PER MIL-STD 1344A, METHOD 2004.1

VIBRATIONS: 10 TO 2000Hz $\gamma = 15g$, AS PER MIL-STD 1344A, METHOD 2005.1

PROTECTION INDEX: IP 40 AS PER CEI 529

OPERATING TEMPERATURE: -55°C TO +200°C (-67°F TO +392°F)

SOCKET CONTACT

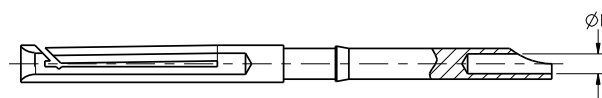


TABLE 1

CONTACT		USABLE CABLES			MAX. CURRENT RATING (A)	CONTACT RESISTANCE (m Ω)
ϕ C	ϕ F	CORE SECTION (mm ²)		AWG		
		MIN.	MAX.			
-	0.63	-	0.15	26	7	5

DRAWING TITLE
JBX, SIZE 0, 5 POSITION EA RECEPTACLE

CAT NO. **JBXEA0G05FSSDS**

CAGE NO: 09922 SIZE: C

CUSTOMER



www.souriau.com

APPROVAL	DRAWN: SNL	12-23-10
	CHKD: TW	12-23-10
	DSGN: XXX	mm-dd-yy
	MFG: DH	12-23-10
	QC: DK	12-23-10
	DRAWING SCALE: 8:1	
	DRAWING NO.	REV
	JBXEA0G05FSSDSC	A
	2 OF 2	

INTERPRET THIS DRAWING IN ACCORDANCE
WITH ASME Y14.5M - 1994.

D

C

B

A

4

3

2

1

PRO-E