

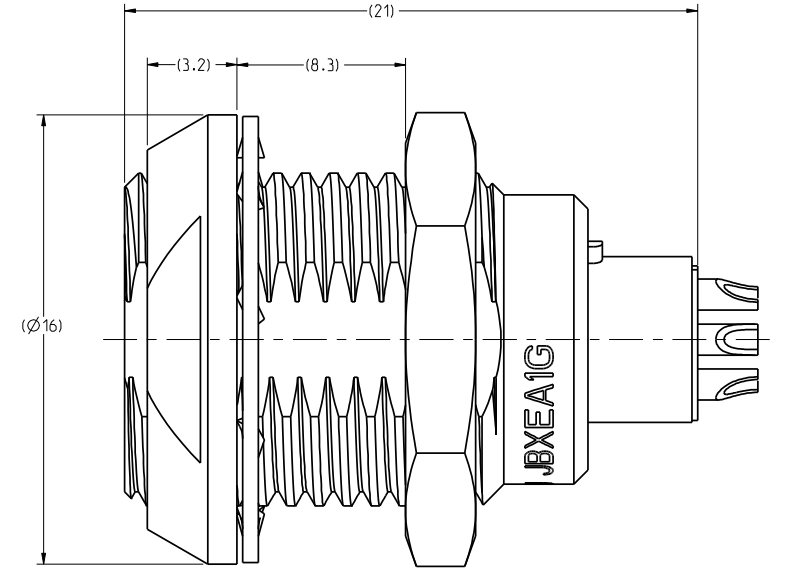
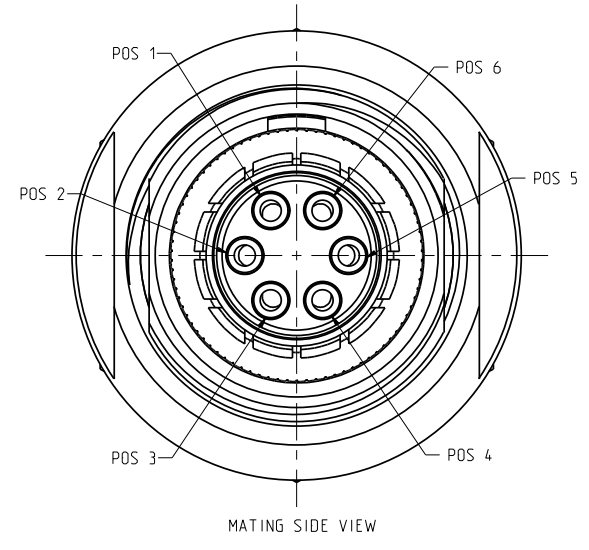
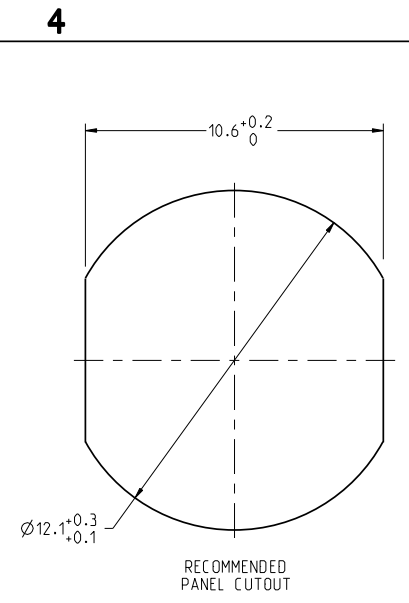
DWG. NO.
JBXEAI06FSSDSC

THIS DRAWING IS A CONTROLLED DOCUMENT FOR SOURIAU USA, INC. CONTACT THE DOCUMENT CONTROL CENTER FOR THE LATEST REVISION.

C

B

THE INFORMATION CONTAINED IN THIS DRAWING IS CONFIDENTIAL AND MAY NOT BE DISCLOSED WITHOUT WRITTEN CONSENT FROM SOURIAU USA, INC.



NOTES:

MATERIAL:

OUTER SHELL & PANEL NUT : } BRASS CuZn40Pb3 (C38500/C36000)
SHIELDING RING : }
NUT : }

SOCKET CONTACT (SOLDER) : CUPRO-NICKEL CuNi1Pb1P (CDAC 19150)

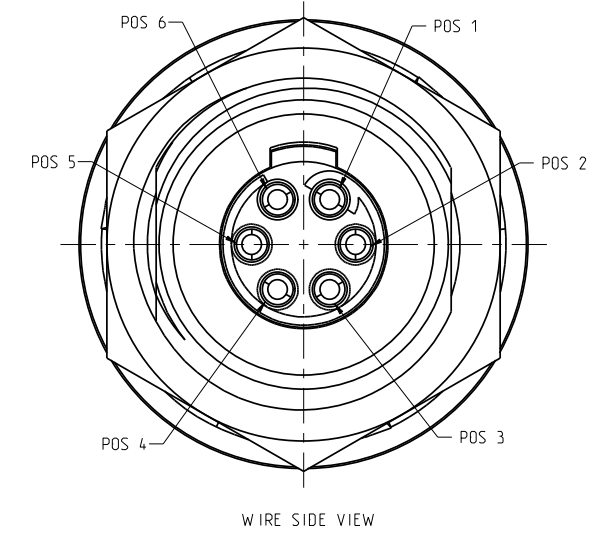
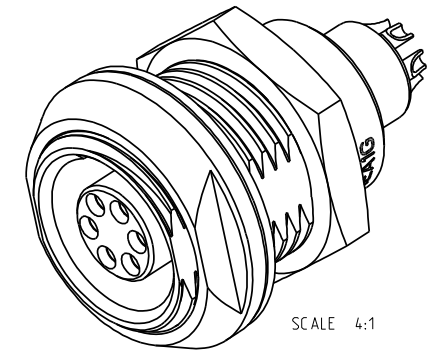
INSULATOR : PEEK WITH 15% GLASS FILLED, COLOR BROWN

FINISH:

OUTER SHELL : CHROME OVER NICKEL UNDERCOAT

OTHER BRASS PARTS EXCEPT SOCKET CONTACTS : NICKEL

SOCKET CONTACTS : GOLD AS PER MIL-G-45204C TYPE 1, CLASS 00.



A	RELEASED PER ECN 11353	SSF 01-26-11	SDH 01-26-11
REV	DESCRIPTION	BY DATE	CHKD DATE

DRAWING TITLE
JBX, SIZE 1, 6 POSITION, EA RECEPTACLE

CAT NO. **JBXEAI06FSSDSC**

LINEAR MEASURE:	<input checked="" type="checkbox"/> INCH <input type="checkbox"/> MM (INCH)
THIRD ANGLE PROJECTION	
TOLERANCES UNLESS OTHERWISE SPECIFIED	
No. OF PLACES	mm (INCH)
WHOLE No.	±0.5 (±.02)
ONE PLACE	±0.2 (±.008)
TWO PLACES	±0.1 (±.004)
ANGLES ±1°	

CAGE NO: 09922 SIZE: C

CUSTOMER

INTERPRET THIS DRAWING IN ACCORDANCE WITH ASME Y14.5M - 1994.



DRAWN:	RK0	12-28-10
CHKD:	TW	12-28-10
DSGN:	XXX	mm-dd-yy
MFG:	DH	12-28-10
QC:	DK	12-28-10
DRAWING SCALE: 6:1		
DRAWING NO.	REV	
JBXEAI06FSSDSC	A	
1 OF 2		

D

C

B

A

4

3

2

1

PRO-E

DWG. NO.
JBXE1G06FSSDSC

THIS DRAWING IS A CONTROLLED DOCUMENT FOR SOURIAU USA, INC. CONTACT THE DOCUMENT CONTROL CENTER FOR THE LATEST REVISION.

C

B

THE INFORMATION CONTAINED IN THIS DRAWING IS CONFIDENTIAL AND MAY NOT BE DISCLOSED WITHOUT WRITTEN CONSENT FROM SOURIAU USA, INC.

ELECTRICAL:

EMI SHIELDING : SHIELDED FOR THE RANGE 55dB UP TO 100MHz

INSULATION RESISTANCE : >500MΩ PER ANSI-EIA-364-D METHOD 21

MAX. CURRENT RATING : (SEE TABLE 1)
MAXIMUM CURRENT THAT CAN BE APPLIED SIMULTANEOUSLY ON EACH LINE OF THE CONNECTOR MATED PAIR, CONTINUOUSLY DURING ITS LIFE TIME IN NORMAL CLIMATIC CONDITIONS.

CONNECTOR TESTING : 1400 Vrms
VOLTAGE TEST VOLTAGE IS APPROXIMATELY 75% OF THE DWV VOLTAGE AT NORMAL CLIMATIC CONDITIONS. THIS VOLTAGE CAN BE ACHIEVED SEVERAL TIMES, BUT NOT APPLIED CONTINUOUSLY.

CONNECTOR WORKING : 660/460 (Vdc/ Vrms)
VOLTAGE WORKING VOLTAGE IS APPROXIMATELY 1/3 OF THE TEST VOLTAGE. THIS VOLTAGE IS SUSTAINABLE FOR THE LIFE OF THE CONNECTOR IN ITS WORKING ENVIRONMENT.

PHYSICAL:

MAXIMUM WIRE SIZE USED : 26 AWG

ENVIRONMENTAL:

ENDURANCE: 1000 CYCLES AS PER MIL-STD 1344A, METHOD 2016.1

SHOCK: 50 g . DURATION 6 ms; AS PER MIL-STD 1344A, METHOD 2004.1

VIBRATIONS: 10 TO 2000Hz γ = 15g, AS PER MIL-STD 1344A, METHOD 2005.1

PROTECTION INDEX: IP 40 AS PER CEI 529

OPERATING TEMPERATURE: -55°C TO +200°C (-67°F TO +392°F)

SOCKET CONTACT

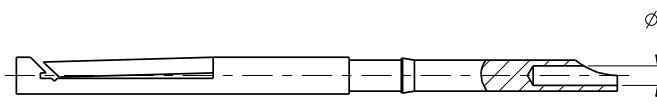


TABLE 1

CONTACT		USABLE CABLES			MAX. CURRENT RATING (A)	CONTACT RESISTANCE (mΩ)
ØC	ØF	CORE SECTION (mm ²)		AWG		
		MIN.	MAX.			
-	0.63	-	0.15	26	7	5

DRAWING TITLE
JBX, SIZE 1, 6 POSITION, EA RECEPTACLE

CAT NO. **JBXE1G06FSSDSC**

LINEAR MEASURE:		
THIRD ANGLE PROJECTION		
TOLERANCES UNLESS OTHERWISE SPECIFIED		
No. OF PLACES	mm (INCH)	
WHOLE No.	±0.5 (±.02)	
ONE PLACE	±0.2 (±.008)	
TWO PLACES	±0.1 (±.004)	
ANGLES ±1°		

CAGE NO: 09922	SIZE: C	APPROVAL	DRAWN: RKO 12-28-10
CUSTOMER		CHKD: TW 12-28-10	
		DSGN: XXX mm-dd-yy	
INTERPRET THIS DRAWING IN ACCORDANCE WITH ASME Y14.5M - 1994.		MFG: DH 12-28-10	
		QC: DK 12-28-10	
www.souriau.com		DRAWING SCALE: 6:1	
		DRAWING NO. REV	
2 OF 2		JBXE1G06FSSDSC	A
		PRO-E	

D

C

B

A

4

3

2

1