

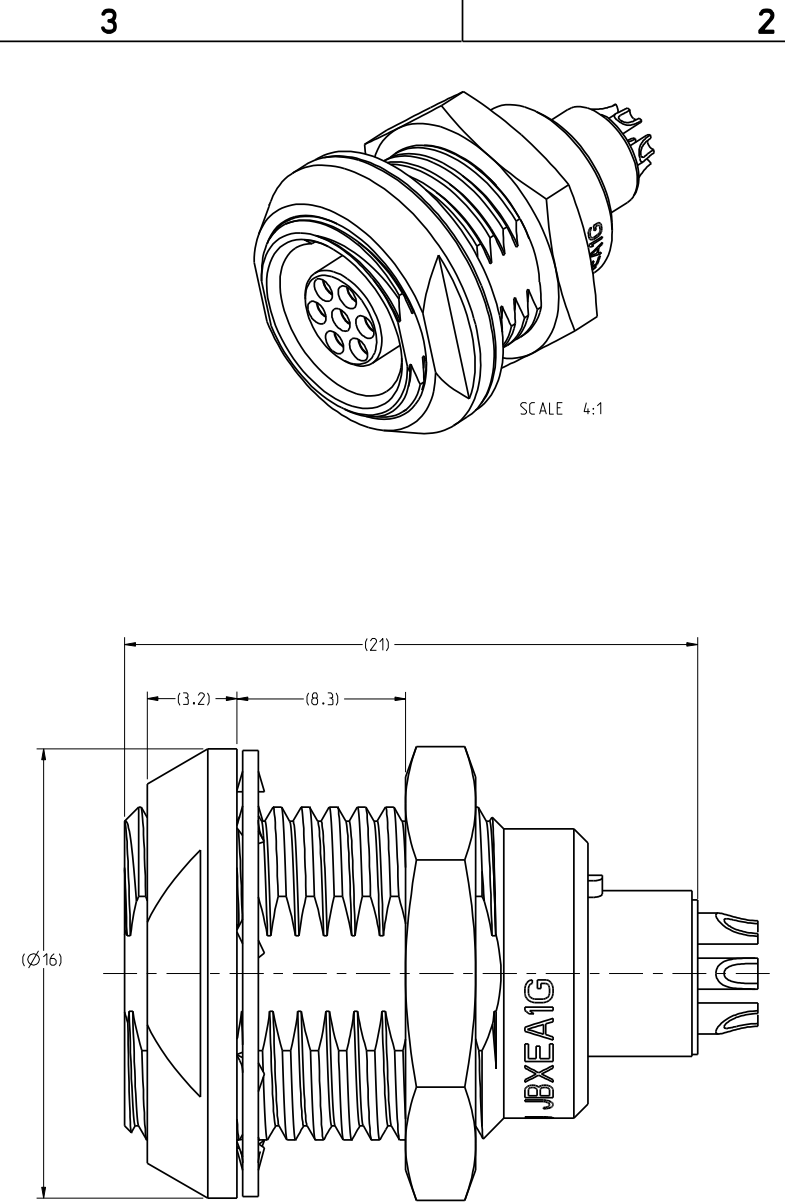
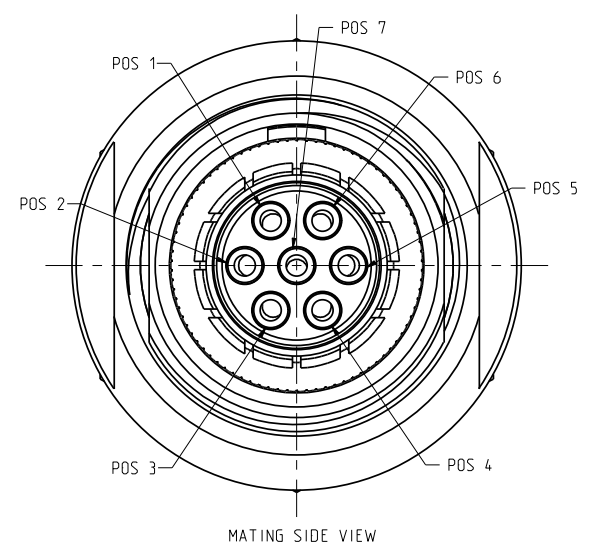
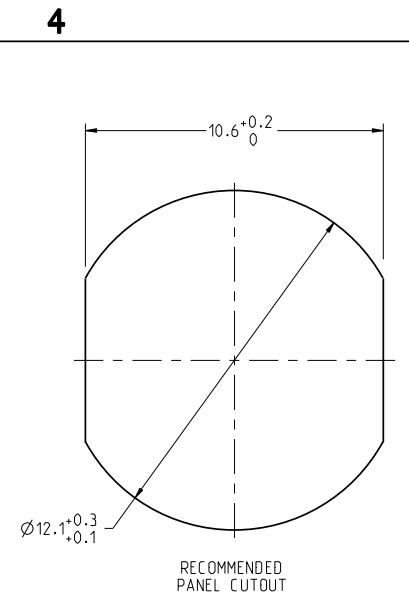
DWG. NO.  
**JBXEAI07FSSDSC**

THIS DRAWING IS A CONTROLLED DOCUMENT FOR SOURIAU USA, INC. CONTACT THE DOCUMENT CONTROL CENTER FOR THE LATEST REVISION.

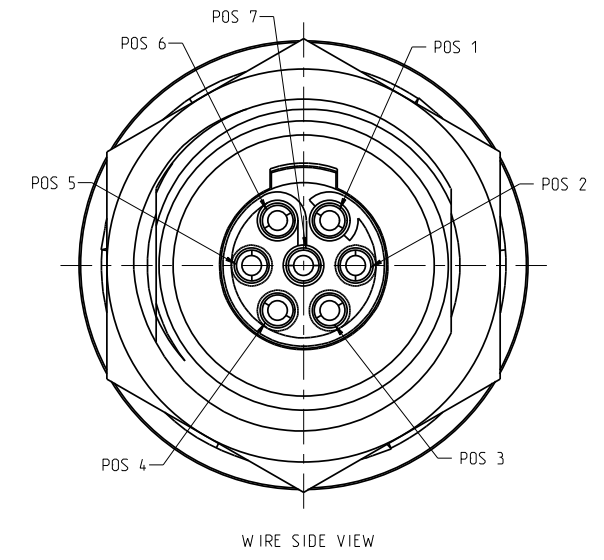
C

B

THE INFORMATION CONTAINED IN THIS DRAWING IS CONFIDENTIAL AND MAY NOT BE DISCLOSED WITHOUT WRITTEN CONSENT FROM SOURIAU USA, INC.



NOTES:  
**MATERIAL:**  
 OUTER SHELL & PANEL NUT : } BRASS CuZn40Pb3 (C38500/C36000)  
 SHIELDING RING : }  
 NUT : }  
 SOCKET CONTACT (SOLDER) : CUPRO-NICKEL CuNi1Pb1P (CDAC 19150)  
 INSULATOR : PEEK WITH 15% GLASS FILLED, COLOR BROWN  
**FINISH:**  
 OUTER SHELL : CHROME OVER NICKEL UNDERCOAT  
 OTHER BRASS PARTS EXCEPT SOCKET CONTACTS : NICKEL  
 SOCKET CONTACTS : GOLD AS PER MIL-G-45204C TYPE 1, CLASS 00.



LINEAR MEASURE:	<input checked="" type="checkbox"/> INCH <input type="checkbox"/> MM (INCH)
THIRD ANGLE PROJECTION	
TOLERANCES UNLESS OTHERWISE SPECIFIED	
No. OF PLACES	mm (INCH)
WHOLE No.	±0.5 (±.02)
ONE PLACE	±0.2 (±.008)
TWO PLACES	±0.1 (±.004)
ANGLES ±1°	

A	RELEASED PER ECN 11353	SSF 01-26-11	SDH 01-26-11
REV	DESCRIPTION	BY DATE	CHKD DATE

DRAWING TITLE  
**JBX, SIZE 1, 7 POSITION, EA RECEPTACLE**

CAGE NO: 09922		SIZE: C	
<b>CUSTOMER</b>		<b>SOURIAU</b> Connection Technology www.souriau.com	
DRAWN: RKO 12-28-10		CHKD: TW 12-28-10	
DSGN: XXX mm-dd-yy		MFG: DH 12-28-10	
QC: DK 12-28-10		DRAWING SCALE: 6:1	
DRAWING NO. REV		JBXEAI07FSSDSC A	
1 OF 2		PRO-E	

4

3

2

1

PRO-E

D

C

B

A

DWG. NO.  
JBXE1G07FSSDSC

THIS DRAWING IS A CONTROLLED DOCUMENT FOR SOURIAU USA, INC. CONTACT THE DOCUMENT CONTROL CENTER FOR THE LATEST REVISION.

C

B

THE INFORMATION CONTAINED IN THIS DRAWING IS CONFIDENTIAL AND MAY NOT BE DISCLOSED WITHOUT WRITTEN CONSENT FROM SOURIAU USA, INC.

**ELECTRICAL:**

EMI SHIELDING : SHIELDED FOR THE RANGE 55dB UP TO 100MHz

INSULATION RESISTANCE : >500MΩ PER ANSI-EIA-364-D METHOD 21

MAX. CURRENT RATING : (SEE TABLE 1)  
MAXIMUM CURRENT THAT CAN BE APPLIED SIMULTANEOUSLY ON EACH LINE OF THE CONNECTOR MATED PAIR, CONTINUOUSLY DURING ITS LIFE TIME IN NORMAL CLIMATIC CONDITIONS.

CONNECTOR TESTING : 1400 Vrms  
VOLTAGE TEST VOLTAGE IS APPROXIMATELY 75% OF THE DWV VOLTAGE AT NORMAL CLIMATIC CONDITIONS. THIS VOLTAGE CAN BE ACHIEVED SEVERAL TIMES, BUT NOT APPLIED CONTINUOUSLY.

CONNECTOR WORKING : 660/460 (Vdc/ Vrms)  
VOLTAGE WORKING VOLTAGE IS APPROXIMATELY 1/3 OF THE TEST VOLTAGE. THIS VOLTAGE IS SUSTAINABLE FOR THE LIFE OF THE CONNECTOR IN ITS WORKING ENVIRONMENT.

**PHYSICAL:**

MAXIMUM WIRE SIZE USED : 26 AWG

**ENVIRONMENTAL:**

ENDURANCE: 1000 CYCLES AS PER MIL-STD 1344A, METHOD 2016.1

SHOCK: 50 g . DURATION 6 ms; AS PER MIL-STD 1344A, METHOD 2004.1

VIBRATIONS: 10 TO 2000Hz γ = 15g, AS PER MIL-STD 1344A, METHOD 2005.1

PROTECTION INDEX: IP 40 AS PER CEI 529

OPERATING TEMPERATURE: -55°C TO +200°C (-67°F TO +392°F)

SOCKET CONTACT

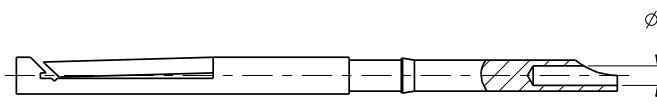


TABLE 1

CONTACT		USABLE CABLES			MAX. CURRENT RATING (A)	CONTACT RESISTANCE (mΩ)
ØC	ØF	CORE SECTION (mm <sup>2</sup> )		AWG		
		MIN.	MAX.			
-	0.63	-	0.15	26	7	5

DRAWING TITLE		DRAWN: RKO 12-28-10	
<b>JBX, SIZE 1, 7 POSITION, EA RECEPTACLE</b>		CHKD : TW 12-28-10	
CAT NO.		DSGN : XXX mm-dd-yy	
<b>JBXE1G07FSSDS</b>		MFG : DH 12-28-10	
CAGE NO: 09922	SIZE: C	QC : DK 12-28-10	
<p><b>CUSTOMER</b></p> <p>INTERPRET THIS DRAWING IN ACCORDANCE WITH ASME Y14.5M - 1994.</p>		DRAWING SCALE: 6:1	
		DRAWING NO. REV	
www.souriau.com		JBXE1G07FSSDSC A	
		2 OF 2	

LINEAR MEASURE:		mm (INCH)
THIRD ANGLE PROJECTION		
TOLERANCES UNLESS OTHERWISE SPECIFIED		
No. OF PLACES	mm (INCH)	
WHOLE No.	±0.5 (±.02)	
ONE PLACE	±0.2 (±.008)	
TWO PLACES	±0.1 (±.004)	
ANGLES ±1°		

D

C

B

A

PRO-E