

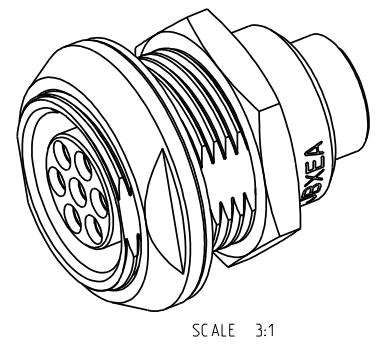
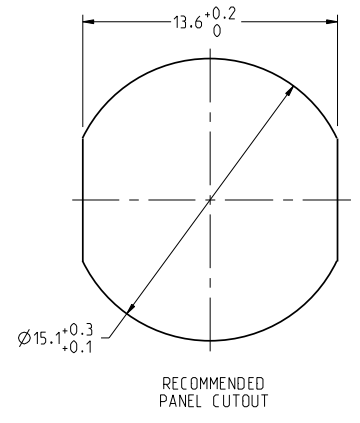
THIS DRAWING IS A CONTROLLED DOCUMENT FOR SOURIAU USA, INC. CONTACT THE DOCUMENT CONTROL CENTER FOR THE LATEST REVISION.

C

B

THE INFORMATION CONTAINED IN THIS DRAWING IS CONFIDENTIAL AND MAY NOT BE DISCLOSED WITHOUT WRITTEN CONSENT FROM SOURIAU USA, INC.

DWG. NO.
JBXEA2G07FCSDSC



NOTES:

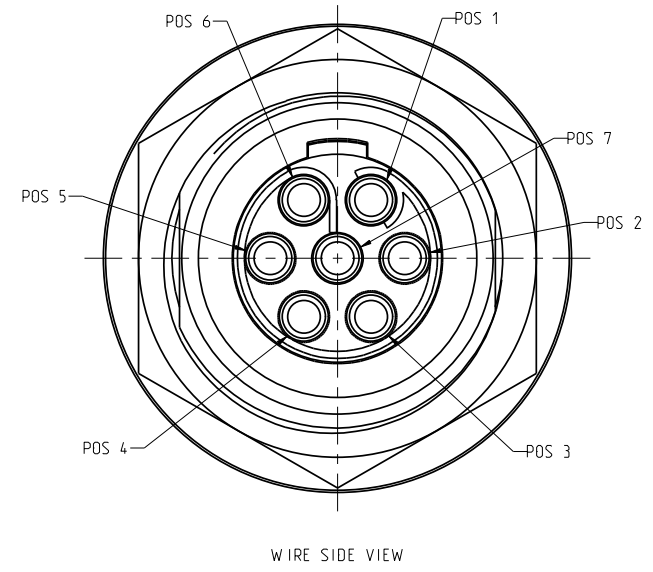
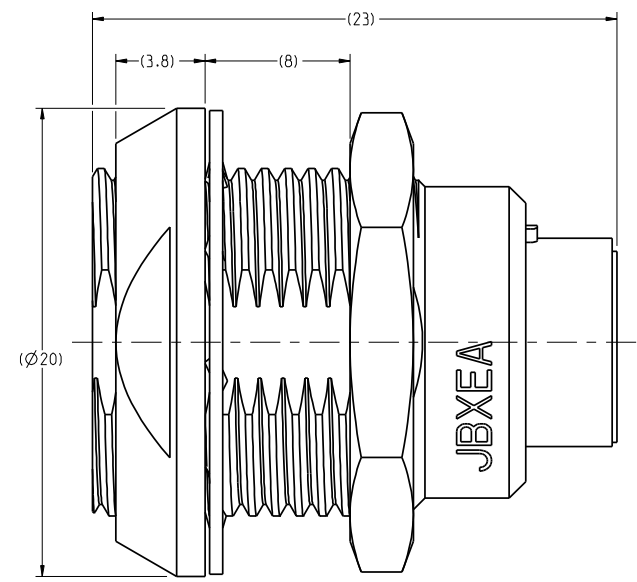
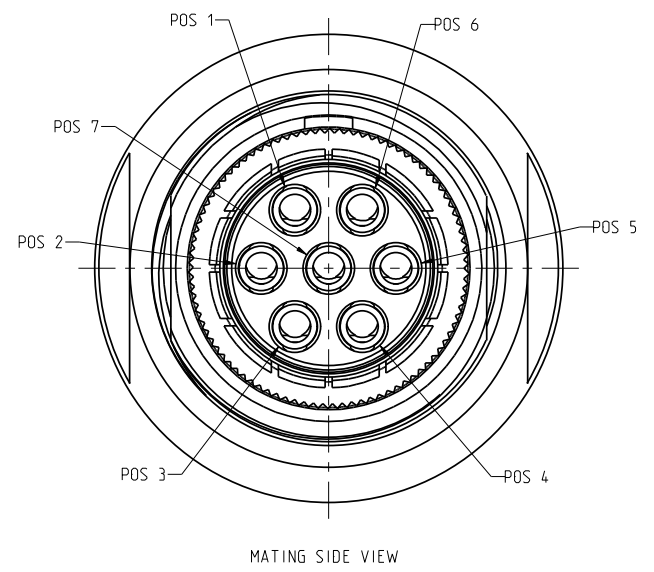
MATERIAL:

OUTER SHELL & PANEL NUT : } BRASS CuZn40Pb3 (C38500/C36000)
SHIELDING RING : }
NUT : }

SOCKET CONTACT (CRIMP) : CUPRO-NICKEL CuNi1Pb1P (CDAC 19150)
CLIP: BERYLLIUM COPPER CuBe1.9 (C17200/C36000)
INSULATOR : PEEK WITH 15% GLASS FILLED, COLOR BROWN

FINISH:

OUTER SHELL : CHROME OVER NICKEL UNDERCOAT
OTHER BRASS PARTS EXCEPT SOCKET CONTACTS : NICKEL
SOCKET CONTACTS : GOLD AS PER MIL-G-45204C TYPE 1.CLASS 00.



D

C

B

A	RELEASED PER ECN 11353	SSF 01-26-11	SDH 01-26-11
REV	DESCRIPTION	BY DATE	CHKD DATE

DRAWING TITLE
JBX, SIZE 2, 7 POSITION, EA RECEPTACLE

LINEAR MEASURE: (INCH) (MM)	
THIRD ANGLE PROJECTION	
TOLERANCES UNLESS OTHERWISE SPECIFIED	
NO. OF PLACES	mm (INCH)
WHOLE No.	±0.5 (±.02)
ONE PLACE	±0.2 (±.008)
TWO PLACES	±0.1 (±.004)
ANGLES ±1°	

CAGE NO: 09922		SIZE: C	
CUSTOMER		 www.souriau.com	
INTERPRET THIS DRAWING IN ACCORDANCE WITH ASME Y14.5M - 1994.		DRAWING SCALE: 5:1 1 OF 2	

A

PRO-E

4

3

2

1

DWG. NO.
JBXEA2G07FCSDSC

THIS DRAWING IS A CONTROLLED DOCUMENT FOR SOURIAU USA, INC. CONTACT THE DOCUMENT CONTROL CENTER FOR THE LATEST REVISION.

C

B

THE INFORMATION CONTAINED IN THIS DRAWING IS CONFIDENTIAL AND MAY NOT BE DISCLOSED WITHOUT WRITTEN CONSENT FROM SOURIAU USA, INC.

ELECTRICAL:

EMI SHIELDING : SHIELDED FOR THE RANGE 55dB UP TO 100MHz

INSULATION RESISTANCE : >500MΩ PER ANSI-EIA-364-D METHOD 21

MAX. CURRENT RATING : (SEE TABLE 1)
MAXIMUM CURRENT THAT CAN BE APPLIED SIMULTANEOUSLY ON EACH LINE OF THE CONNECTOR MATED PAIR, CONTINUOUSLY DURING ITS LIFE TIME IN NORMAL CLIMATIC CONDITIONS.

CONNECTOR TESTING : 1500Vrms
VOLTAGE TEST VOLTAGE IS APPROXIMATELY 75% OF THE DWV VOLTAGE AT NORMAL CLIMATIC CONDITIONS. THIS VOLTAGE CAN BE ACHIEVED SEVERAL TIMES, BUT NOT APPLIED CONTINUOUSLY.

CONNECTOR WORKING : 730/500 (Vdc/ Vrms)
VOLTAGE WORKING VOLTAGE IS APPROXIMATELY 1/3 OF THE TEST VOLTAGE. THIS VOLTAGE IS SUSTAINABLE FOR THE LIFE OF THE CONNECTOR IN ITS WORKING ENVIRONMENT.

PHYSICAL:

MAXIMUM WIRE SIZE USED FOR CRIMPING : 18 AWG

ENVIRONMENTAL:

ENDURANCE: 1000 CYCLES AS PER MIL-STD 1344A. METHOD 2016.1

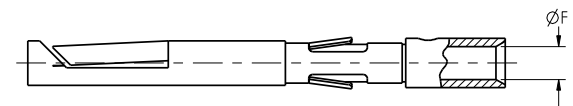
SHOCK: 100 g , DURATION 6 ms; AS PER MIL-STD 1344A. METHOD 2004.1

VIBRATIONS: 10 TO 2000Hz γ = 20g, AS PER MIL-STD 1344A. METHOD 2005.1

PROTECTION INDEX: IP 40 AS PER CEI 529

OPERATING TEMPERATURE: -55°C TO +200°C (-67°F TO +392°F)

SOCKET CONTACT



CONTACT	USABLE CABLES			MAX. CURRENT RATING (A)	CONTACT RESISTANCE (mΩ)	
	∅C	∅F	CORE SECTION (mm ²)			
			MIN. MAX.			
-	1.4	0.326	0.823	18-20-22	15	3

DRAWING TITLE
JBX, SIZE 2, 7 POSITION, EA RECEPTACLE

CAT NO. **JBXEA2G07FCSDS**

LINEAR MEASURE:	
THIRD ANGLE PROJECTION	
TOLERANCES UNLESS OTHERWISE SPECIFIED	
No. OF PLACES	mm (INCH)
WHOLE No.	±0.5 (±.02)
ONE PLACE	±0.2 (±.008)
TWO PLACES	±0.1 (±.004)
ANGLES	±1°

CAGE NO: 09922 SIZE: C

CUSTOMER

INTERPRET THIS DRAWING IN ACCORDANCE WITH ASME Y14.5M - 1994.



APPROVAL	DRAWN: SNL	12-30-10
	CHKD: TW	12-30-10
	DSGN: XXX	mm-dd-yy
	MFG: DH	12-30-10
	QC: DK	12-30-10
	DRAWING SCALE: 5:1	
	DRAWING NO.	REV
	JBXEA2G07FCSDSC	A
	2 OF 2	