

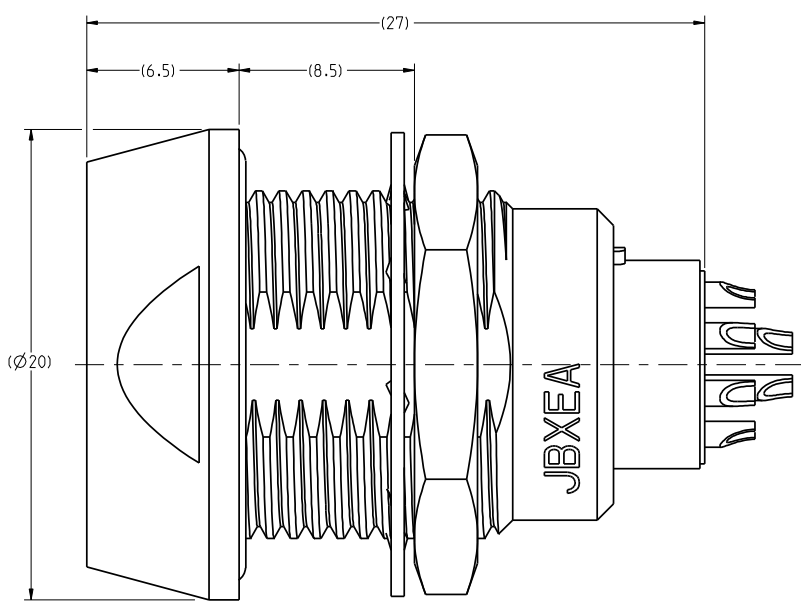
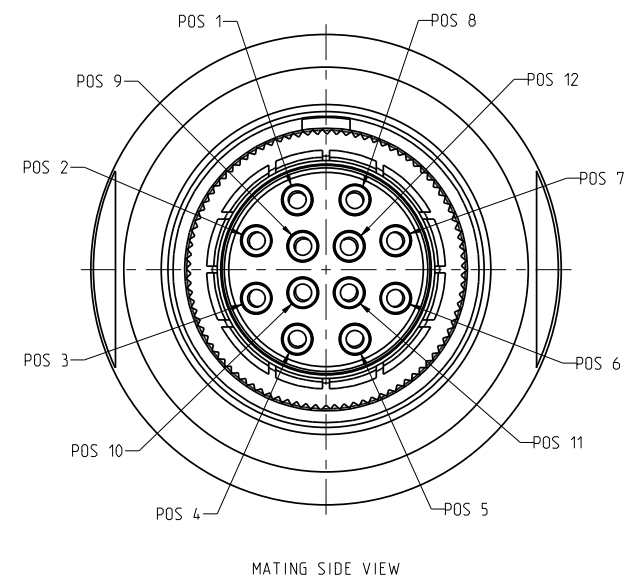
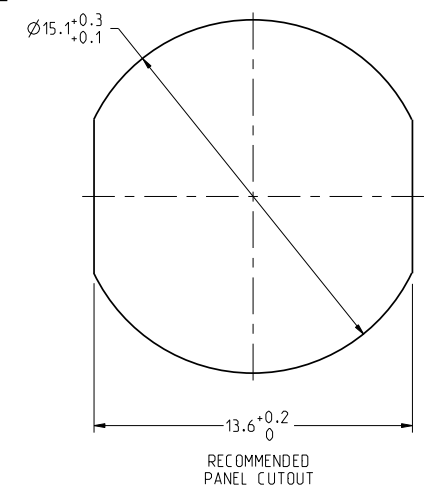
THIS DRAWING IS A CONTROLLED DOCUMENT FOR SOURIAU USA, INC. CONTACT THE DOCUMENT CONTROL CENTER FOR THE LATEST REVISION.

C

B

THE INFORMATION CONTAINED IN THIS DRAWING IS CONFIDENTIAL AND MAY NOT BE DISCLOSED WITHOUT WRITTEN CONSENT FROM SOURIAU USA, INC.

DWG. NO. **JBXEC2G12FSSDSC**



NOTES:

MATERIAL:

OUTER SHELL & PANEL NUT : } BRASS CuZn40Pb3 (C38500/C36000)
 SHIELDING RING : }
 NUT : }

SOCKET CONTACT (SOLDER) : CUPRO-NICKEL CuNi1Pb1P (CDAC 19150)

INSULATOR : PEEK WITH 15% GLASS FILLED, COLOR BROWN

SEALS : NITRILE AND SILICON RUBBER

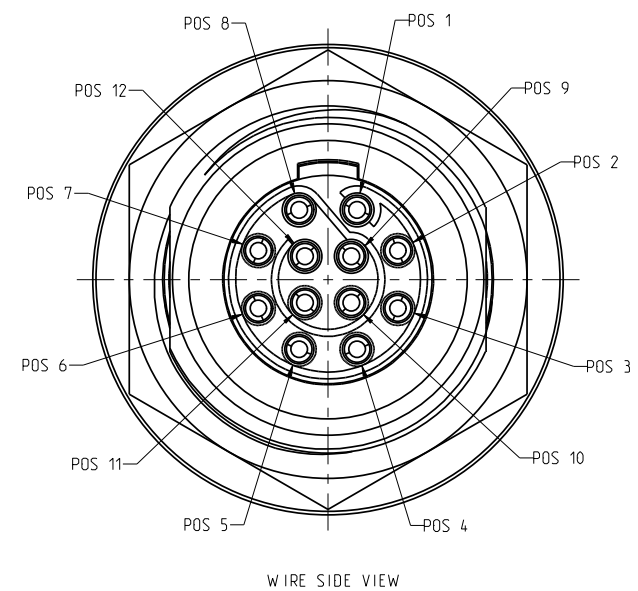
FINISH:

OUTER SHELL : CHROME OVER NICKEL UNDERCOAT

OTHER BRASS PARTS EXCEPT SOCKET CONTACTS : NICKEL

SOCKET CONTACTS : GOLD AS PER MIL-G-45204C TYPE 1, CLASS 00.

SCALE 3:1



A	RELEASED PER ECN 11345	SSF 01-18-11	SDH 01-18-11
REV	DESCRIPTION	BY DATE	CHKD DATE

DRAWING TITLE
JBX, SIZE 2, 12 POSITION, EC RECEPTACLE

LINEAR MEASURE:	<input checked="" type="checkbox"/> INCH <input type="checkbox"/> (INCH)
THIRD ANGLE PROJECTION	
TOLERANCES UNLESS OTHERWISE SPECIFIED	
No. OF PLACES	mm (INCH)
WHOLE No.	±0.5 (±.02)
ONE PLACE	±0.2 (±.008)
TWO PLACES	±0.1 (±.004)
ANGLES ±1°	

CAT NO. **JBXEC2G12FSSDS**

CAGE NO: 09922 SIZE: C

CUSTOMER

www.souriau.com

DRAWN:	SNL	01-01-11
CHKD:	TW	01-01-11
DSGN:	XXX	mm-dd-yy
MFG:	DH	01-01-11
QC:	DK	01-01-11
DRAWING SCALE: 5:1		
DRAWING NO.	REV	
JBXEC2G12FSSDSC	A	

1 OF 2

PRO-E

4

3

2

1

D

C

B

A

THIS DRAWING IS A CONTROLLED DOCUMENT FOR SOURIAU USA, INC. CONTACT THE DOCUMENT CONTROL CENTER FOR THE LATEST REVISION.

C

B

THE INFORMATION CONTAINED IN THIS DRAWING IS CONFIDENTIAL AND MAY NOT BE DISCLOSED WITHOUT WRITTEN CONSENT FROM SOURIAU USA, INC.

DWG. NO.
JBXEC2G12FSSDSC

ELECTRICAL:

EMI SHIELDING : SHIELDED FOR THE RANGE 55dB UP TO 100MHZ

INSULATION RESISTANCE : >500M Ω PER ANSI-EIA-364-D METHOD 21

MAX. CURRENT RATING : (SEE TABLE 1)
MAXIMUM CURRENT THAT CAN BE APPLIED SIMULTANEOUSLY ON EACH LINE OF THE CONNECTOR MATED PAIR, CONTINUOUSLY DURING ITS LIFE TIME IN NORMAL CLIMATIC CONDITIONS.

CONNECTOR TESTING VOLTAGE : 1700Vrms
TEST VOLTAGE IS APPROXIMATELY 75% OF THE DWV VOLTAGE AT NORMAL CLIMATIC CONDITIONS. THIS VOLTAGE CAN BE ACHIEVED SEVERAL TIMES, BUT NOT APPLIED CONTINUOUSLY.

CONNECTOR WORKING VOLTAGE : 830/560 (Vdc/ Vrms)
WORKING VOLTAGE IS APPROXIMATELY 1/3 OF THE TEST VOLTAGE. THIS VOLTAGE IS SUSTAINABLE FOR THE LIFE OF THE CONNECTOR IN ITS WORKING ENVIRONMENT.

PHYSICAL:

MAXIMUM WIRE SIZE USED : 26 AWG

ENVIRONMENTAL:

ENDURANCE: 1000 CYCLES AS PER MIL-STD 1344A, METHOD 2016.1

SHOCK: 50 g , DURATION 6 ms; AS PER MIL-STD 1344A, METHOD 2004.1

VIBRATIONS: 10 TO 2000Hz γ = 15g, AS PER MIL-STD 1344A, METHOD 2005.1

PROTECTION INDEX: IP 67 AS PER CEI 529

OPERATING TEMPERATURE: -40°C TO +80°C (-40°F TO +176°F)

SOCKET CONTACT

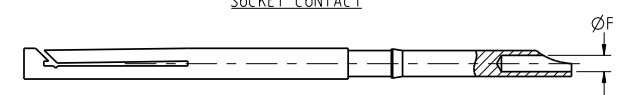


TABLE 1

CONTACT		USABLE CABLES			MAX. CURRENT RATING (A)	CONTACT RESISTANCE (m Ω)
ϕ C	ϕ F	CORE SECTION (mm ²)		AWG		
		MIN.	MAX.			
-	0.63	-	0.15	26	7	5

DRAWING TITLE
JBX, SIZE 2, 12 POSITION, EC RECEPTACLE

CAT NO.
JBXEC2G12FSSDS

CAGE NO: 09922 SIZE: C

CUSTOMER



www.souriau.com

APPROVAL	DRAWN: SNL	01-01-11
	CHKD : TW	01-01-11
	DSGN : XXX	mm-dd-yy
	MFG : DH	01-01-11
	QC : DK	01-01-11
	DRAWING SCALE: 5:1	
	DRAWING NO.	REV
	JBXEC2G12FSSDSC	A
	2 OF 2	

INTERPRET THIS DRAWING IN ACCORDANCE WITH ASME Y14.5M - 1994.

D

C

B

A

4

3

2

1

PRO-E