

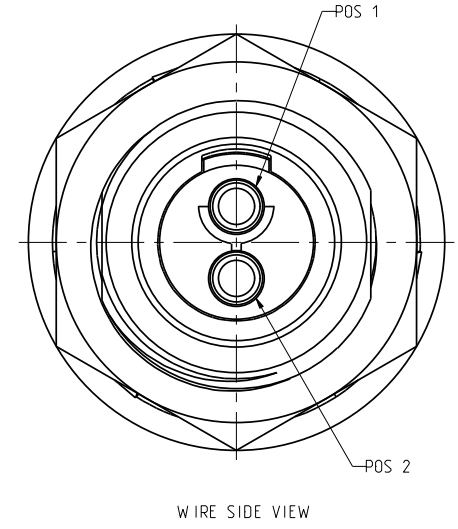
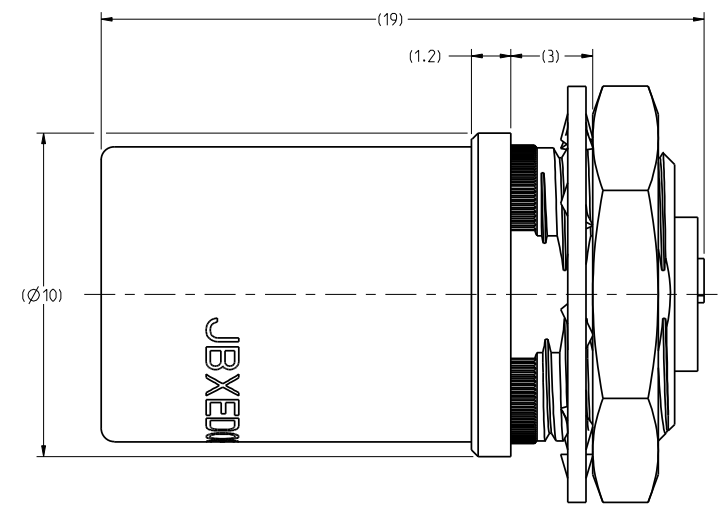
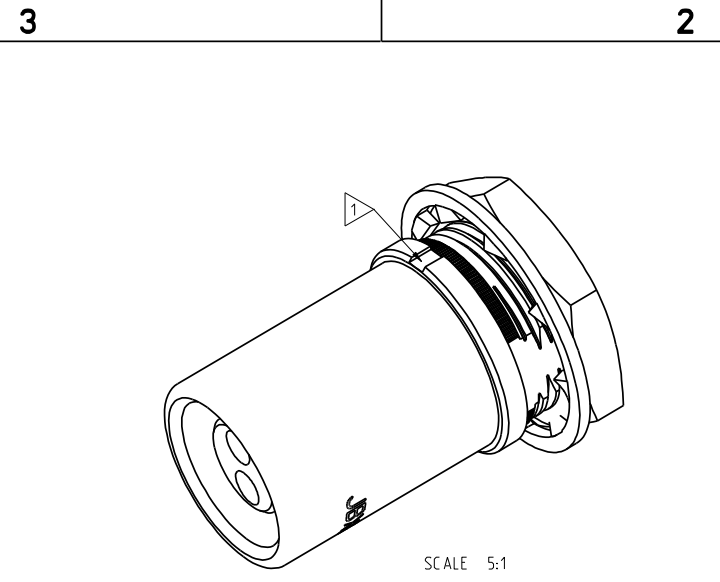
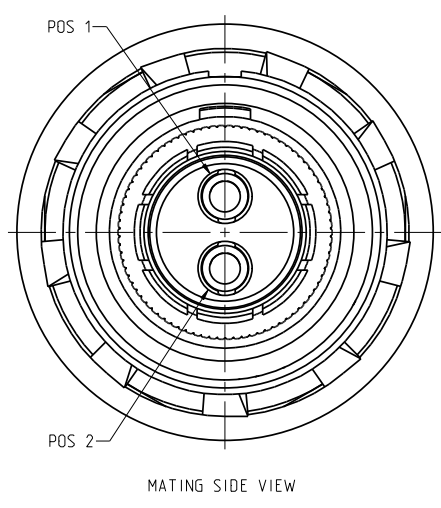
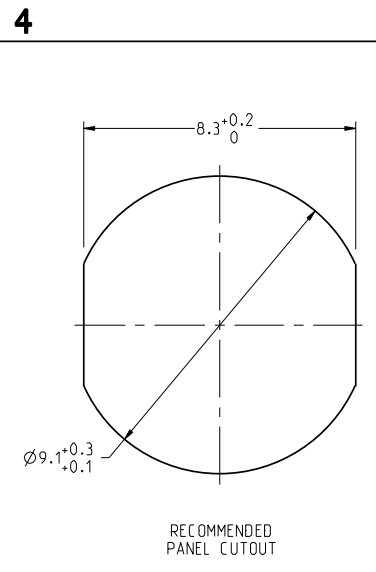
THIS DRAWING IS A CONTROLLED DOCUMENT FOR SOURIAU USA, INC. CONTACT THE DOCUMENT CONTROL CENTER FOR THE LATEST REVISION.

C

B

THE INFORMATION CONTAINED IN THIS DRAWING IS CONFIDENTIAL AND MAY NOT BE DISCLOSED WITHOUT WRITTEN CONSENT FROM SOURIAU USA, INC.

DWG. NO.  
**JBXEDOG02FCSDSRC**



NOTES:

1 > RED BAND

MATERIAL:

OUTER SHELL :  
SHIELDING RING :  
NUT : } BRASS CuZn40Pb3 (C38500/C36000)

SOCKET CONTACT (CRIMP) : CUPRO-NICKEL CuNi1Pb1P (CDAC 19150)  
CLIP : BERYLLIUM COPPER CuBe1.9 (C17200/C36000)  
INSULATOR : PEEK WITH 15% GLASS FILLED, COLOR BROWN

FINISH:

OUTER SHELL : CHROME OVER NICKEL UNDERCOAT  
OTHER BRASS PARTS EXCEPT SOCKET CONTACTS : NICKEL  
SOCKET CONTACTS : GOLD AS PER MIL-G-45204C TYPE 1, CLASS 00.

D

C

B

A	RELEASED PER ECN 11345	SSF 01-18-11	SDH 01-18-11
REV	DESCRIPTION	BY DATE	CHKD DATE

DRAWING TITLE  
**JBX, SIZE 0, 2 POSITION, ED RECEPTACLE**  
CAT NO. **JBXEDOG02FCSDSR**

LINEAR MEASURE:  (INCH)  (MM)	
THIRD ANGLE PROJECTION	
TOLERANCES UNLESS OTHERWISE SPECIFIED	
No. OF PLACES	mm (INCH)
WHOLE No.	±0.5 (±.02)
ONE PLACE	±0.2 (±.008)
TWO PLACES	±0.1 (±.004)
ANGLES ±1°	

CAGE NO: 09922 SIZE: C

**CUSTOMER**

INTERPRET THIS DRAWING IN ACCORDANCE WITH ASME Y14.5M - 1994.



DRAWN:	SNL	01-04-11
CHKD:	TW	01-04-11
DSGN:	XXX	mm-dd-yy
MFG:	DH	01-04-11
QC:	DK	01-04-11
DRAWING SCALE: 7:1		
DRAWING NO.	REV	
JBXEDOG02FCSDSRC	A	

A

4

3

2

1

PRO-E

4 3 2 1

DWG. NO.  
JBXED0G02FCSDSRC

THIS DRAWING IS A CONTROLLED DOCUMENT FOR SOURIAU USA, INC. CONTACT THE DOCUMENT CONTROL CENTER FOR THE LATEST REVISION.

C

B

THE INFORMATION CONTAINED IN THIS DRAWING IS CONFIDENTIAL AND MAY NOT BE DISCLOSED WITHOUT WRITTEN CONSENT FROM SOURIAU USA, INC.

**ELECTRICAL:**

EMI SHIELDING : SHIELDED FOR THE RANGE 55dB UP TO 100MHz

INSULATION RESISTANCE : >500MΩ PER ANSI-EIA-364-D METHOD 21

MAX. CURRENT RATING : (SEE TABLE 1)  
MAXIMUM CURRENT THAT CAN BE APPLIED SIMULTANEOUSLY ON EACH LINE OF THE CONNECTOR MATED PAIR, CONTINUOUSLY DURING ITS LIFE TIME IN NORMAL CLIMATIC CONDITIONS.

CONNECTOR TESTING VOLTAGE : 1400Vrms  
TEST VOLTAGE IS APPROXIMATELY 75% OF THE DWV VOLTAGE AT NORMAL CLIMATIC CONDITIONS. THIS VOLTAGE CAN BE ACHIEVED SEVERAL TIMES, BUT NOT APPLIED CONTINUOUSLY.

CONNECTOR WORKING VOLTAGE : 660/460 (Vdc/ Vrms)  
WORKING VOLTAGE IS APPROXIMATELY 1/3 OF THE TEST VOLTAGE. THIS VOLTAGE IS SUSTAINABLE FOR THE LIFE OF THE CONNECTOR IN ITS WORKING ENVIRONMENT.

**PHYSICAL:**

MAXIMUM WIRE SIZE USED FOR CRIMPING : 20 AWG

**ENVIRONMENTAL:**

ENDURANCE: 1000 CYCLES AS PER MIL-STD 1344A, METHOD 2016.1

SHOCK: 50 g , DURATION 6 ms; AS PER MIL-STD 1344A, METHOD 2004.1

VIBRATIONS: 10 TO 2000Hz γ = 15g, AS PER MIL-STD 1344A, METHOD 2005.1

PROTECTION INDEX: IP 40 AS PER CEI 529

OPERATING TEMPERATURE: -55°C TO +200°C (-67°F TO +392°F)

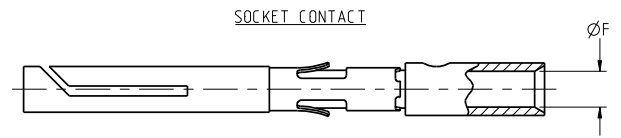


TABLE 1

CONTACT	USABLE CABLES				MAX. CURRENT RATING (A)	CONTACT RESISTANCE (mΩ)	
	ØC	ØF	CORE SECTION (mm <sup>2</sup> )				AWG
			MIN.	MAX.			
-	1.1	0.205	0.518	20-22-24	10	3.5	

DRAWING TITLE  
**JBX, SIZE 0, 2 POSITION, ED RECEPTACLE**

CAT NO. **JBXED0G02FCSDSR**

LINEAR MEASURE: (INCH) (MILLIMETER)

THIRD ANGLE PROJECTION

TOLERANCES UNLESS OTHERWISE SPECIFIED

No. OF PLACES	mm (INCH)
WHOLE No.	±0.5 (±.02)
ONE PLACE	±0.2 (±.008)
TWO PLACES	±0.1 (±.004)
ANGLES ±1°	

CAGE NO: 09922 SIZE: C

**CUSTOMER**

INTERPRET THIS DRAWING IN ACCORDANCE WITH ASME Y14.5M - 1994.



APPROVAL	DRAWN: SNL	01-04-11
	CHKD: TW	01-04-11
	DSGN: XXX	mm-dd-yy
	MFG: DH	01-04-11
	QC: DK	01-04-11
DRAWING SCALE: 7:1		
DRAWING NO.		REV
JBXED0G02FCSDSRC		A
2 OF 2		

D

C

B

A

4 3 2 1 PRO-E