

DWG. NO.
JBXFD0G02MSSDSMRC

THIS DRAWING IS A CONTROLLED DOCUMENT FOR SOURIAU USA, INC. CONTACT THE DOCUMENT CONTROL CENTER FOR THE LATEST REVISION.

C

B

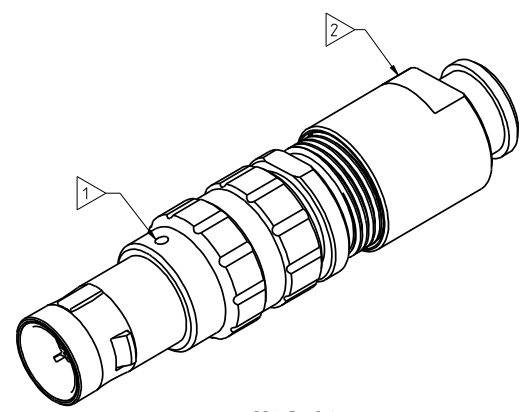
THE INFORMATION CONTAINED IN THIS DRAWING IS CONFIDENTIAL AND MAY NOT BE DISCLOSED WITHOUT WRITTEN CONSENT FROM SOURIAU USA, INC.

4

3

2

1



SCALE 3:1

NOTES:

1 RED DOT.

MATERIAL:

OUTER SHELL & COLLET NUT : } BRASS CuZn40Pb3 (C38500/C36000)
LATCHING SLEEVE :
HALF BUSHES :

PIN CONTACT (SOLDER) : BRASS CuZn35Pb2 (C35300/C36000)

CLIP : BERYLLIUM COPPER CuBe1.9 (C17200/C36000)

INSULATOR : PEEK WITH 15% GLASS FILLED, COLOR BROWN

COLLET : PA6/6 WITH MoS2, COLOR BLACK

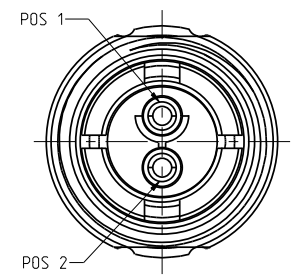
FINISH:

OUTER SHELL & COLLET NUT : CHROME OVER NICKEL UNDERCOAT

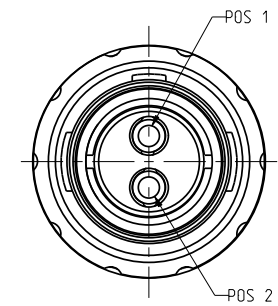
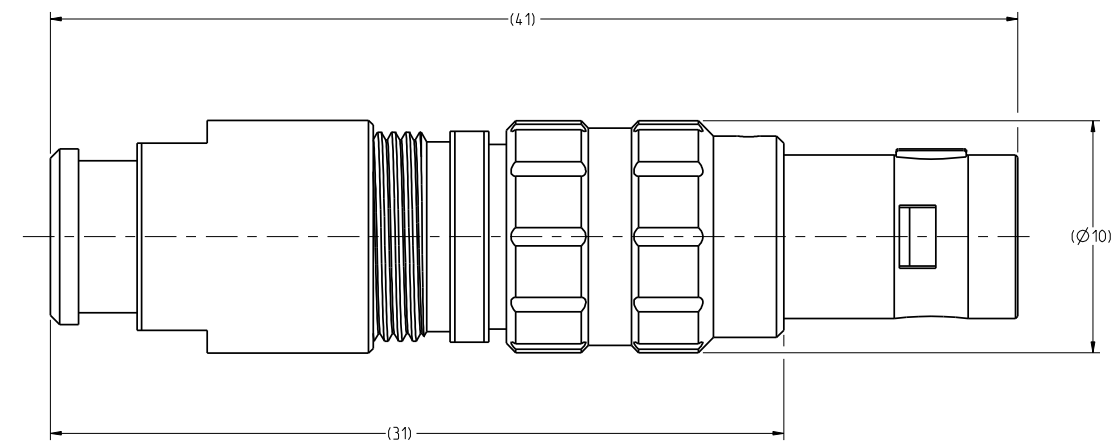
OTHER BRASS PARTS EXCEPT PIN CONTACTS : NICKEL

PIN CONTACTS : GOLD AS PER MIL-G-45204C TYPE 1.CLASS 00.

2 CONNECTOR WITH BACKNUT FOR PROTECTIVE BOOT - PROTECTIVE BOOT TO ORDER SEPARATELY.



WIRE SIDE VIEW
(“COLLET SET” NOT SHOWN)



MATING SIDE VIEW

D

C

B

A	RELEASED PER ECN 11334	SSF 01-18-11	SDH 01-18-11
REV	DESCRIPTION	BY DATE	CHKD DATE

DRAWING TITLE
JBX, SIZE O, 02 POSITION, MALE STRAIGHT PLUG

CAT NO. **JBXFD0G02MSSDSMR**

CAGE NO: 09922 SIZE: C

LINEAR MEASURE:	<input checked="" type="checkbox"/> INCH <input type="checkbox"/> MM (INCH)
THIRD ANGLE PROJECTION	
TOLERANCES UNLESS OTHERWISE SPECIFIED	
No. OF PLACES	mm (INCH)
WHOLE No.	±0.5 (±.02)
ONE PLACE	±0.2 (±.008)
TWO PLACES	±0.1 (±.004)
ANGLES ±1°	

CUSTOMER

INTERPRET THIS DRAWING IN ACCORDANCE WITH ASME Y14.5M - 1994.



DRAWN:	TJS	12-18-10
CHKD:	TW	12-18-10
DSGN:	XXX	mm-dd-yy
MFG:	DH	12-18-10
QC:	DK	12-18-10
DRAWING SCALE: 5:1		
DRAWING NO.	REV	
JBXFD0G02MSSDSMRC	A	
1 OF 2		

A

4

3

2

1

PRO-E

THIS DRAWING IS A CONTROLLED DOCUMENT FOR SOURIAU USA, INC. CONTACT THE DOCUMENT CONTROL CENTER FOR THE LATEST REVISION.

C

B

THE INFORMATION CONTAINED IN THIS DRAWING IS CONFIDENTIAL AND MAY NOT BE DISCLOSED WITHOUT WRITTEN CONSENT FROM SOURIAU USA, INC.

DWG. NO.
JBXFD0G02MSSDSMRC

ELECTRICAL:

EMI SHIELDING : SHIELDED FOR THE RANGE 55dB UP TO 100MHz

INSULATION RESISTANCE : >500MΩ PER ANSI-EIA-364-D METHOD 21

MAX. CURRENT RATING : (SEE TABLE 1)
MAXIMUM CURRENT THAT CAN BE APPLIED SIMULTANEOUSLY ON EACH LINE OF THE CONNECTOR MATED PAIR, CONTINUOUSLY DURING ITS LIFE TIME IN NORMAL CLIMATIC CONDITIONS.

CONNECTOR TESTING : 1400Vrms
VOLTAGE TEST VOLTAGE IS APPROXIMATELY 75% OF THE DWV VOLTAGE AT NORMAL CLIMATIC CONDITIONS. THIS VOLTAGE CAN BE ACHIEVED SEVERAL TIMES, BUT NOT APPLIED CONTINUOUSLY.

CONNECTOR WORKING : 660/460 (Vdc/ Vrms)
VOLTAGE WORKING VOLTAGE IS APPROXIMATELY 1/3 OF THE TEST VOLTAGE. THIS VOLTAGE IS SUSTAINABLE FOR THE LIFE OF THE CONNECTOR IN ITS WORKING ENVIRONMENT.

PHYSICAL:

MAXIMUM WIRE SIZE USED : 24 AWG

CABLE DIAMETER WITH PLASTIC : Ø1.5mm MIN. TO Ø5.5mm MAX.
COLLET SET SUPPLIED

ENVIRONMENTAL:

ENDURANCE: 1000 CYCLES AS PER MIL-STD 1344A, METHOD 2016.1

SHOCK: 50 g , DURATION 6 ms; AS PER MIL-STD 1344A, METHOD 2004.1

VIBRATIONS: 10 TO 2000Hz $\gamma = 15g$, AS PER MIL-STD 1344A, METHOD 2005.1

PROTECTION INDEX: IP 40 AS PER CEI 529

OPERATING TEMPERATURE:
WITH PLASTIC COLLETS: -55°C TO +125°C (-67°F TO +257°F)

WITH OPTIONAL METALLIC COLLETS: -55°C TO +200°C (-67°F TO +392°F)
(ONLY ON REQUEST)

PIN CONTACT

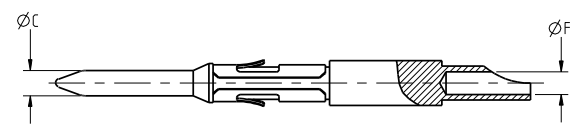


TABLE 1						
CONTACT		USABLE CABLES			MAX. CURRENT RATING (A)	CONTACT RESISTANCE (mΩ)
ØC	ØF	CORE SECTION (mm ²)		AWG		
		MIN.	MAX.			
0.9	0.8	-	0.21	24	10	3.5

DRAWING TITLE
JBX, SIZE O, O2 POSITION, MALE STRAIGHT PLUG

CAT NO.: **JBXFD0G02MSSDSMR**

CAGE NO: 09922 SIZE: C

CUSTOMER	 SOURIAU Connection Technology www.souriau.com	DRAWN: TJS 12-18-10
		CHKD: TW 12-18-10
INTERPRET THIS DRAWING IN ACCORDANCE WITH ASME Y14.5M - 1994.		DSGN: XXX mm-dd-yy
		MFG: DH 12-18-10
2 OF 2		QC: DK 12-18-10
		DRAWING SCALE: 5:1
PRO-E		DRAWING NO. REV
		JBXFD0G02MSSDSMRC A

D

C

B

A

4

3

2

1