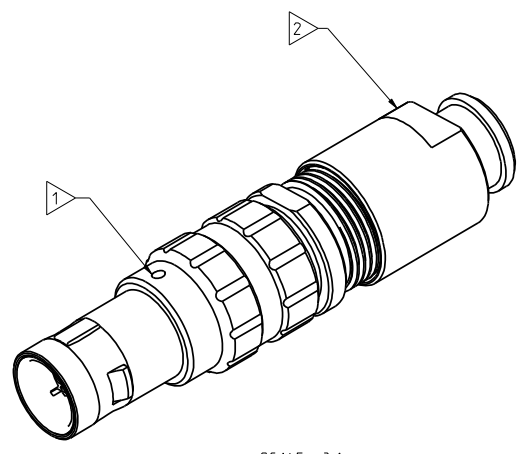


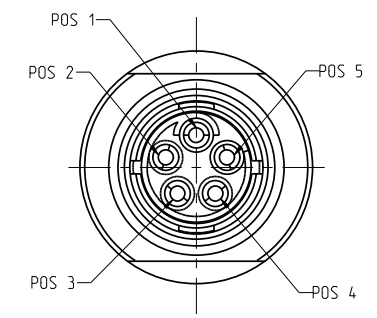
THIS DRAWING IS A CONTROLLED DOCUMENT FOR SOURIAU USA, INC. CONTACT THE DOCUMENT CONTROL CENTER FOR THE LATEST REVISION.
 THE INFORMATION CONTAINED IN THIS DRAWING IS CONFIDENTIAL AND MAY NOT BE DISCLOSED WITHOUT WRITTEN CONSENT FROM SOURIAU USA, INC.

DWG. NO. JBXFD0G05MSSDSMRC

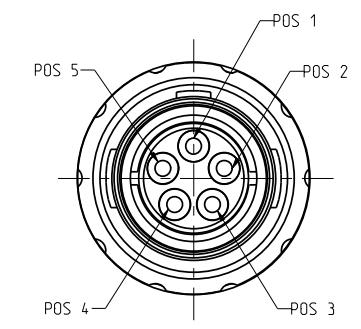
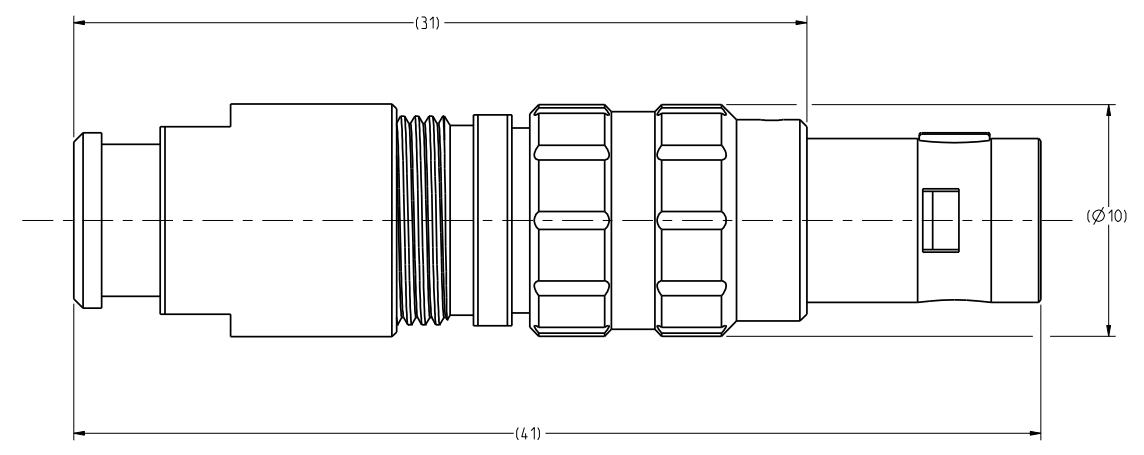


SCALE 3:1

NOTES:
 1 RED DOT.
 MATERIAL:
 OUTER SHELL & COLLET NUT : } BRASS CuZn40Pb3 (C38500/C36000)
 LATCHING SLEEVE :
 HALF BUSHES :
 PIN CONTACT (SOLDER) : BRASS CuZn35Pb2 (C35300/C36000)
 INSULATOR : PEEK WITH 15% GLASS FILLED, COLOR BROWN
 COLLET : PA6/6 WITH MoS2, COLOR BLACK
 FINISH:
 OUTER SHELL & COLLET NUT : CHROME OVER NICKEL UNDERCOAT
 OTHER BRASS PARTS EXCEPT PIN CONTACTS : NICKEL
 PIN CONTACTS : GOLD AS PER MIL-G-45204C TYPE 1, CLASS 00.
 2 CONNECTOR WITH BACKNUT FOR PROTECTIVE BOOT - PROTECTIVE BOOT TO ORDER SEPARATELY.



WIRE SIDE VIEW ('COLLET SET' NOT SHOWN)



MATING SIDE VIEW

A	RELEASED PER ECN 11334	SSF 01-18-11	SDH 01-18-11
REV	DESCRIPTION	BY DATE	CHKD DATE

DRAWING TITLE
JBX, SIZE O, 05 POSITION, MALE STRAIGHT PLUG

CAT NO. **JBXFD0G05MSSDSMR**

LINEAR MEASURE:	<input type="checkbox"/> INCH <input checked="" type="checkbox"/> MM (INCH)
THIRD ANGLE PROJECTION	
TOLERANCES UNLESS OTHERWISE SPECIFIED	
No. OF PLACES	mm (INCH)
WHOLE No.	±0.5 (±.02)
ONE PLACE	±0.2 (±.008)
TWO PLACES	±0.1 (±.004)
ANGLES ±1°	

CAGE NO: 09922	SIZE: C	DRAWN: TJS 12-18-10
CUSTOMER INTERPRET THIS DRAWING IN ACCORDANCE WITH ASME Y14.5M - 1994.		CHKD: TW 12-18-10
		DSGN: XXX mm-dd-yy
 www.souriau.com		MFG: DH 12-18-10
		QC: DK 12-18-10
DRAWING SCALE: 5:1		DRAWING NO. REV
JBXFD0G05MSSDSMRC 1 OF 2		A

4

3

2

1

C

C

B

B

A

4

3

2

1

PRO-E

THIS DRAWING IS A CONTROLLED DOCUMENT FOR SOURIAU USA, INC. CONTACT THE DOCUMENT CONTROL CENTER FOR THE LATEST REVISION.

C

B

THE INFORMATION CONTAINED IN THIS DRAWING IS CONFIDENTIAL AND MAY NOT BE DISCLOSED WITHOUT WRITTEN CONSENT FROM SOURIAU USA, INC.

DWG. NO.
JBXFD0G05MSSDSMRC

ELECTRICAL:

EMI SHIELDING : SHIELDED FOR THE RANGE 55dB UP TO 100MHz

INSULATION RESISTANCE : >500MΩ PER ANSI-EIA-364-D METHOD 21

MAX. CURRENT RATING : (SEE TABLE 1)
MAXIMUM CURRENT THAT CAN BE APPLIED SIMULTANEOUSLY ON EACH LINE OF THE CONNECTOR MATED PAIR, CONTINUOUSLY DURING ITS LIFE TIME IN NORMAL CLIMATIC CONDITIONS.

CONNECTOR TESTING : 800Vrms
VOLTAGE
TEST VOLTAGE IS APPROXIMATELY 75% OF THE DWV VOLTAGE AT NORMAL CLIMATIC CONDITIONS. THIS VOLTAGE CAN BE ACHIEVED SEVERAL TIMES, BUT NOT APPLIED CONTINUOUSLY.

CONNECTOR WORKING : 400/260 (Vdc/ Vrms)
VOLTAGE
WORKING VOLTAGE IS APPROXIMATELY 1/3 OF THE TEST VOLTAGE. THIS VOLTAGE IS SUSTAINABLE FOR THE LIFE OF THE CONNECTOR IN ITS WORKING ENVIRONMENT.

PHYSICAL:

MAXIMUM WIRE SIZE USED : 26 AWG

CABLE DIAMETER WITH PLASTIC : Ø1.5mm MIN. TO Ø5.5mm MAX.
COLLET SET SUPPLIED

ENVIRONMENTAL:

ENDURANCE: 500 CYCLES AS PER MIL-STD 1344A, METHOD 2016.1

SHOCK: 50 g . DURATION 6 ms: AS PER MIL-STD 1344A, METHOD 2004.1

VIBRATIONS: 10 TO 2000Hz γ = 15g, AS PER MIL-STD 1344A, METHOD 2005.1

PROTECTION INDEX: IP 40 AS PER CEI 529

OPERATING TEMPERATURE:
WITH PLASTIC COLLETS: -55°C TO +125°C (-67°F TO +257°F)

WITH OPTIONAL METALLIC COLLETS: -55°C TO +200°C (-67°F TO +392°F)
(ONLY ON REQUEST)

PIN CONTACT

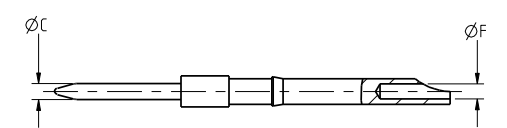


TABLE 1						
CONTACT		USABLE CABLES			MAX. CURRENT RATING (A)	CONTACT RESISTANCE (mΩ)
ØC	ØF	CORE SECTION (mm ²)		AWG		
		MIN.	MAX.			
0.7	0.7	-	0.30	26	7	5

DRAWING TITLE
JBX, SIZE O, 05 POSITION, MALE STRAIGHT PLUG

CAT NO.: **JBXFD0G05MSSDSMR**

CAGE NO: 09922 SIZE: C

LINEAR MEASURE: (INCH) (MM)

THIRD ANGLE PROJECTION

TOLERANCES UNLESS OTHERWISE SPECIFIED

No. OF PLACES	mm (INCH)
WHOLE No.	±0.5 (±.02)
ONE PLACE	±0.2 (±.008)
TWO PLACES	±0.1 (±.004)
ANGLES ±1°	

CUSTOMER

INTERPRET THIS DRAWING IN ACCORDANCE WITH ASME Y14.5M - 1994.



APPROVAL	DRAWN: TJS	12-18-10
	CHKD : TW	12-18-10
	DSGN : XXX	mm-dd-yy
	MFG : DH	12-18-10
	QC : DK	12-18-10
	DRAWING SCALE: 5:1	
	DRAWING NO.	REV
	JBXFD0G05MSSDSMRC	A
	2 OF 2	

D

C

B

A

4

3

2

1

PRO-E