

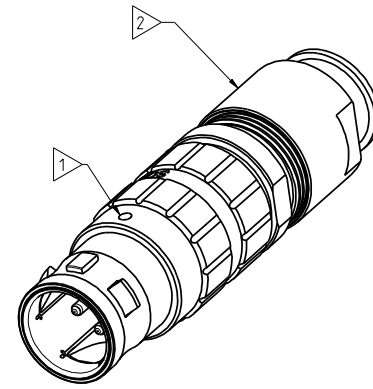
DWG. NO.
JBXFD2G06MCSDSMRC

THIS DRAWING IS A CONTROLLED DOCUMENT FOR SOURIAU USA, INC. CONTACT THE DOCUMENT CONTROL CENTER FOR THE LATEST REVISION.

C

B

THE INFORMATION CONTAINED IN THIS DRAWING IS CONFIDENTIAL AND MAY NOT BE DISCLOSED WITHOUT WRITTEN CONSENT FROM SOURIAU USA, INC.



SCALE 2:1

NOTES:

1 > RED DOT.

MATERIAL:

OUTER SHELL & COLLET NUT : } BRASS CuZn40Pb3 (C38500/C36000)
LATCHING SLEEVE :
HALF BUSHES :

PIN CONTACT (CRIMP) : BRASS CuZn35Pb2 (C35300/C36000)
CLIP : BERYLLIUM COPPER CuBe1.9 (C17200/C36000)
INSULATOR : PEEK WITH 15% GLASS FILLED, COLOR BROWN
COLLET : PA6/6 WITH MoS2, COLOR BLACK

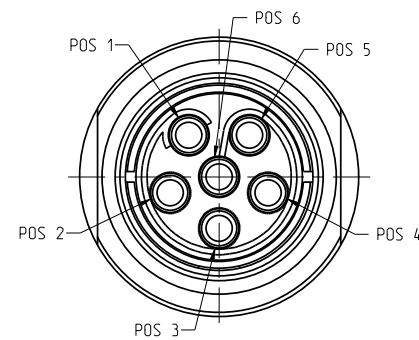
FINISH:

OUTER SHELL & COLLET NUT : CHROME OVER NICKEL UNDERCOAT

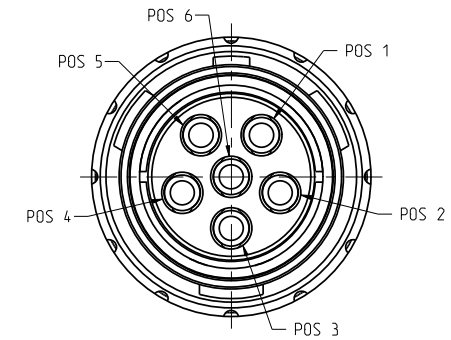
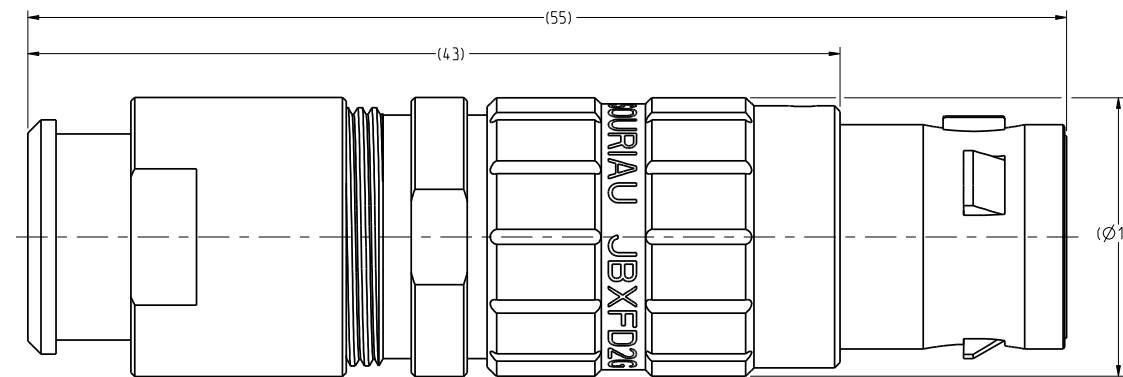
OTHER BRASS PARTS EXCEPT PIN CONTACTS : NICKEL

PIN CONTACTS : GOLD AS PER MIL-G-45204C TYPE 1, CLASS 00.

2 > CONNECTOR WITH BACKNUT FOR PROTECTIVE BOOT - PROTECTIVE BOOT TO ORDER SEPARATELY.



WIRE SIDE VIEW ('COLLET SET' NOT SHOWN)



MATING SIDE VIEW

A	RELEASED PER ECN 11336	SSF 01-18-11	SDH 01-18-11
REV	DESCRIPTION	BY DATE	CHKD DATE

DRAWING TITLE
JBX, SIZE 2, 06 POSITION, MALE STRAIGHT PLUG

CAT NO. **JBXFD2G06MCSDSMR**

LINEAR MEASURE:	<input checked="" type="checkbox"/> INCH <input type="checkbox"/> MM (INCH)
THIRD ANGLE PROJECTION	
TOLERANCES UNLESS OTHERWISE SPECIFIED	
No. OF PLACES	mm (INCH)
WHOLE No.	±0.5 (±.02)
ONE PLACE	±0.2 (±.008)
TWO PLACES	±0.1 (±.004)
ANGLES ±1°	

CAGE NO: 09922 SIZE: C

CUSTOMER



www.souriau.com

INTERPRET THIS DRAWING IN ACCORDANCE WITH ASME Y14.5M - 1994.

DRAWN:	JJM	12-20-10
CHKD:	TW	12-20-10
DSGN:	XXX	mm-dd-yy
MFG:	DH	12-20-10
QC:	DK	12-20-10
DRAWING SCALE: 4:1		
DRAWING NO.	REV	
JBXFD2G06MCSDSMRC	A	

1 OF 2

D

C

B

A

4

3

2

1

PRO-E

THIS DRAWING IS A CONTROLLED DOCUMENT FOR SOURIAU USA, INC. CONTACT THE DOCUMENT CONTROL CENTER FOR THE LATEST REVISION.

C

B

THE INFORMATION CONTAINED IN THIS DRAWING IS CONFIDENTIAL AND MAY NOT BE DISCLOSED WITHOUT WRITTEN CONSENT FROM SOURIAU USA, INC.

DWG. NO.
JBXFD2G06MCSDSMRC

ELECTRICAL:

EMI SHIELDING : SHIELDED FOR THE RANGE 55dB UP TO 100MHz

INSULATION RESISTANCE : >500MΩ PER ANSI-EIA-364-D METHOD 21

MAX. CURRENT RATING : (SEE TABLE 1)
MAXIMUM CURRENT THAT CAN BE APPLIED SIMULTANEOUSLY ON EACH LINE OF THE CONNECTOR MATED PAIR, CONTINUOUSLY DURING ITS LIFE TIME IN NORMAL CLIMATIC CONDITIONS.

CONNECTOR TESTING : 1900Vrms
VOLTAGE TEST VOLTAGE IS APPROXIMATELY 75% OF THE DWV VOLTAGE AT NORMAL CLIMATIC CONDITIONS. THIS VOLTAGE CAN BE ACHIEVED SEVERAL TIMES, BUT NOT APPLIED CONTINUOUSLY.

CONNECTOR WORKING : 900/630 (Vdc/ Vrms)
VOLTAGE WORKING VOLTAGE IS APPROXIMATELY 1/3 OF THE TEST VOLTAGE. THIS VOLTAGE IS SUSTAINABLE FOR THE LIFE OF THE CONNECTOR IN ITS WORKING ENVIRONMENT.

PHYSICAL:

MAXIMUM WIRE SIZE USED FOR CRIMPING : 18 AWG

CABLE DIAMETER WITH PLASTIC : Ø3.5 mm MIN. TO Ø9.7 mm MAX.
COLLET SET SUPPLIED

ENVIRONMENTAL:

ENDURANCE: 1000 CYCLES AS PER MIL-STD 1344A, METHOD 2016.1

SHOCK: 100 g . DURATION 6 ms: AS PER MIL-STD 1344A, METHOD 2004.1

VIBRATIONS: 10 TO 2000Hz γ = 20 g, AS PER MIL-STD 1344A, METHOD 2005.1

PROTECTION INDEX: IP 40 AS PER CEI 529

OPERATING TEMPERATURE:
WITH PLASTIC COLLETS: -55°C TO +125°C (-67°F TO +257°F)

WITH OPTIONAL METALLIC COLLETS: -55°C TO +200°C (-67°F TO +392°F)
(ONLY ON REQUEST)

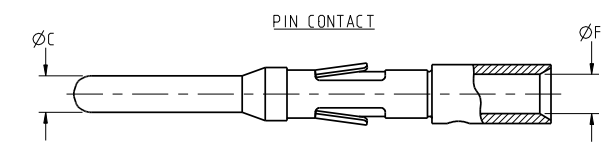


TABLE 1						
CONTACT		USABLE CABLES			MAX. CURRENT RATING (A)	CONTACT RESISTANCE (mΩ)
ØC	ØF	CORE SECTION (mm ²)		AWG		
		MIN.	MAX.			
1.3	1.4	0.326	0.823	18-20-22	15	3

DRAWING TITLE
JBX, SIZE 2, 06 POSITION, MALE STRAIGHT PLUG

CAT NO.: **JBXFD2G06MCSDSMR**

LINEAR MEASURE:		mm (INCH)
THIRD ANGLE PROJECTION		
TOLERANCES UNLESS OTHERWISE SPECIFIED		
No. OF PLACES	mm (INCH)	
WHOLE No.	±0.5 (±.02)	
ONE PLACE	±0.2 (±.008)	
TWO PLACES	±0.1 (±.004)	
ANGLES	±1°	

CAGE NO: 09922	SIZE: C	APPROVAL	DRAWN: JJM 12-20-10
CUSTOMER	 www.souriau.com		CHKD : TW 12-20-10
			DSGN : XXX mm-dd-yy
			MFG : DH 12-20-10
			QC : DK 12-20-10
DRAWING SCALE: 4:1		DRAWING NO.	REV
INTERPRET THIS DRAWING IN ACCORDANCE WITH ASME Y14.5M - 1994.		JBXFD2G06MCSDSMRC	A
		2 OF 2	

D

C

B

A

4

3

2

1

PRO-E