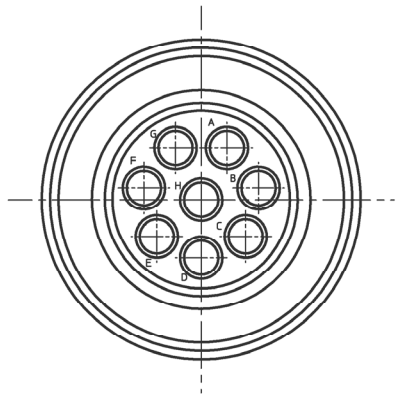


| REV. | DATE     | DESCRIPTION                            | BY   | C'K'D' |
|------|----------|--|------|--------|
| 05   | 10-03-99 | Temperature range -55C instead of -25C | K.N. |        |
| A    | 17-12-01 | CONVERSION PDM - BEC 9.3573            | NL   |        |
|      |          |  |      |        |

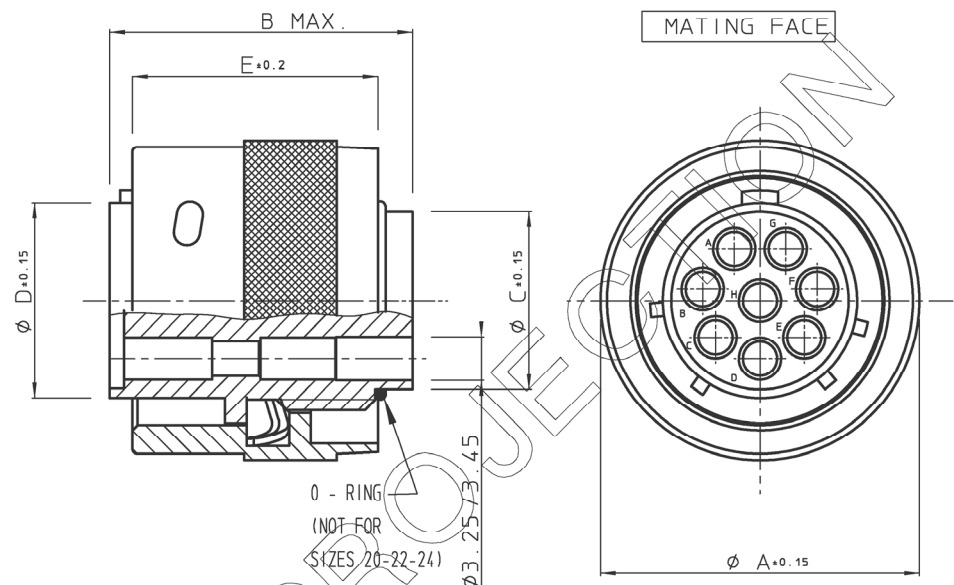
DIT IS ONZE EIGENDOM EN MAG NOCH NAGEMAAKT, HERDRUKT, OVERGEMAAKT AAN DERDEN, NOCH VOOR FABRIKATIE GEBRUIKT WORDEN, ZONDER ONZE SCHRIFTELIJKE TOELATING. BIJ NIET GEBRUIK IS DE TERUGZENDING VERPLICHT.

THIS IS OUR EXCLUSIVE PROPERTY. IT IS NOT TO BE COPIED, REPRINTED OR DISCLOSED TO A THIRD PARTY, NOR USED FOR MANUFACTURING WITHOUT OUR WRITTEN CONSENT, AND HAS TO BE RETURNED TO JS IN CASE OF NO USAGE

WIRING FACE



MATING FACE



| CAT. NUMBER | phi A+0.15 | B MAX. | phi C+0.15 | phi D+0.15 | E+0.2 |
|-------------|------------|--------|------------|------------|-------|
| UTG6104SN   | 21.6       | 23.9   | 10.9       | 12.2       | 19.1  |
| UTG6125SN   | 24.8       | 23.9   | 13.8       | 15.1       | 19.1  |
| UTG6128SN   | 24.8       | 23.9   | 13.8       | 15.1       | 19.1  |
| UTG61412SN  | 28.0       | 23.9   | 17.0       | 18.3       | 19.1  |
| UTG61619SN  | 31.2       | 23.9   | 19.9       | 21.5       | 19.1  |
| UTG61823SN  | 34.3       | 23.9   | 22.4       | 24.0       | 19.1  |
| UTG62028SN  | 37.5       | 24.9   | 25.6       | 27.2       | 19.1  |
| UTG62235SN  | 40.7       | 24.9   | 28.5       | 30.4       | 19.1  |
| UTG62448SN  | 43.9       | 26.2   | 31.7       | 33.5       | 19.1  |

**MATERIAL**

UTG6128SN AS SHOWN

- BODY : GLASS-FILLED POLYESTER UL94-V0  
COLOUR : BLACK
- BAYONET RING : HIGH STRENGTH CuZn ALLOY, NICKEL PLATED.
- COUPLING SPRING : SPRING STEEL

**PERFORMANCE CHARACTERISTICS**

- OPERATING TEMPERATURE : -55 °C TO +125 °C.
- INSULATION RESISTANCE : 5000 MΩ MIN.
- TEST POTENTIAL : 2000 V EFF.

**NOTES**

- CONNECTOR ACCEPTS # 16 STRIP FORMED, MACHINED AND SUBMINIATURE COAXIAL PIN AND SOCKET CONTACTS.
- CONTACTS TO BE ORDERED SEPARATELY : REFER TO TRIM - TRIO CATALOG.
- FOR OTHER INSERT ARRANGEMENTS SEE BS,C ,201458,000

A

BS, A , 201458, 004

|          |    |    |    |    |    |    |    |    |    |    |    |    |    |    |    |    |    |    |    |    |    |    |    |    |    |    |    |    |    |    |    |
|----------|----|----|----|----|----|----|----|----|----|----|----|----|----|----|----|----|----|----|----|----|----|----|----|----|----|----|----|----|----|----|----|
| GEN. ST. | 01 | 02 | 03 | 04 | 05 | 06 | 07 | 08 | 0D | 50 | 60 | 70 | 80 | 90 |    |    |    |    |    |    |    |    |    |    |    |    |    |    |    |    |    |
| INT. ST. | 10 | 11 | 12 | 13 | 14 | 18 | 20 | 31 | 32 | 33 | 34 | 38 | 39 | 40 | 42 | 43 | 44 | 45 | 46 | 48 | 56 | 70 | 72 | 73 | 75 | 76 | 81 | 82 | 83 | 84 | 88 |

|   |                                 |             |              |   |  |
|---|---------------------------------|-------------|--------------|---|--|
| 1DEC ±0,2 1DEC<br>2DEC ±0,1 2DEC<br>ANGLES ±1° HOEKEN                           | <b>APPR.</b>                    | <b>DATE</b> | <b>SIGN.</b> | FEMALE PLUG   |  |
|   | DRAFT                           | 7-6-91      | M BUEDS      | <b>CAT. No.</b> UTG6----SN                              |  |
| WE RESERVE THE RIGHT TO CHANGE DIMENSIONS OR REQUIREMENTS WITHOUT PRIOR NOTICE. | PROD. MGR.                      |             |              | <b>SOURIAU</b><br>Route Nationale 23<br>72470 CHAMPAGNE |  |
|   | PR. ENG. MGR.                   |             |              |   |  |
| ALL DIMENSIONS IN MM<br>  | PR. MGT. MGR.                   |             |              | <b>BS, A , 201458, 004</b>                              |  |
| ALLE AFMETINGEN IN MM   | <b>REFERENCES / REFERENTIES</b> |             |              |   |  |