

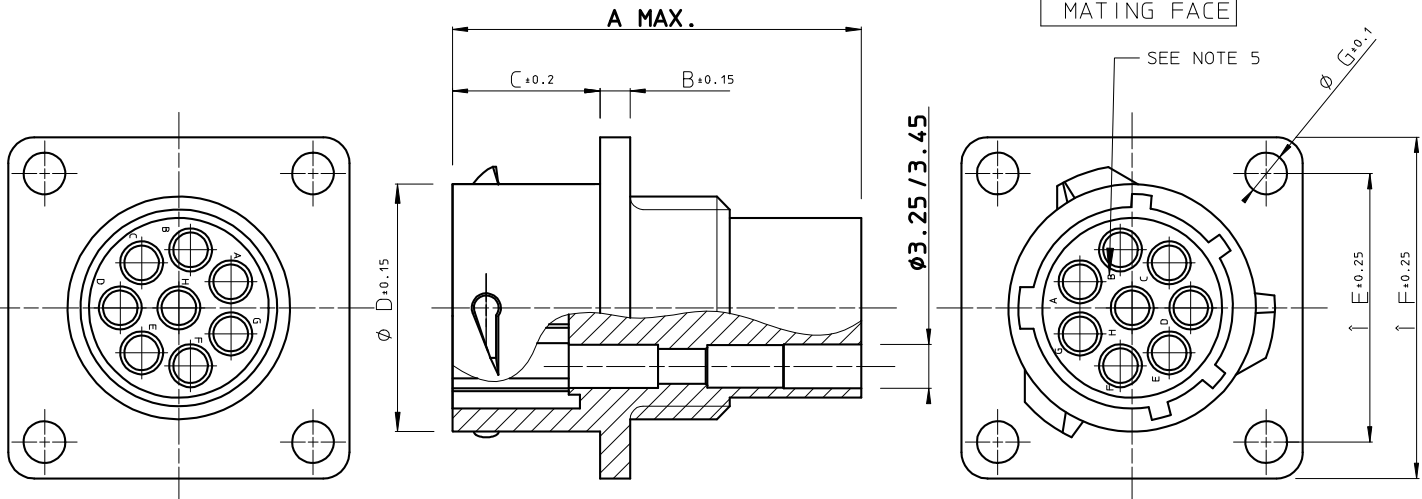
DIT IS ONZE EIGENDOM EN MAG NOCH NAGEMAAKT, HERDRUKT, OVERGEMAAKT AAN DERDEN, NOCH VOOR FABRIKATIE GEBRUIKT WORDEN, ZONDER ONZE SCHRIFTELIJKE TOELATING. BIJ NIET GEBRUIK IS DE TERUGZENDING VERPLICHT.

THIS IS OUR EXCLUSIVE PROPERTY. IT IS NOT TO BE COPIED, REPRINTED OR DISCLOSED TO A THIRD PARTY, NOR USED FOR MANUFACTURING WITHOUT OUR WRITTEN CONSENT, AND HAS TO BE RETURNED TO US IN CASE OF NO USAGE

REV.	DATE	DESCRIPTION	BY	C 'K 'D'
00	24.10.96	UTP0103PVDE AND UTP0187PVDEU ADDED	S.V.D.	
01	18.04.97	NOTE 5 ADDED	S.V.D.	
02	27.11.07	DELETE 'VDE' AT THE END OF PART NUMBER	R Ch	

WIRING FACE

MATING FACE



CAT. NUMBER	A MAX.	B+0.15	C+0.2	Ø D+0.15	E+0.25	F+0.25	Ø G+0.1	Ø H+0.1	Ø J+0.1
UTP0103P	31.7	2.3	11.3	15.0	18.3	23.8	3.2	17.3	15.1
UTP0104P	31.7	2.3	11.3	15.0	18.3	23.8	3.2	17.3	15.1
UTP0125P	31.7	2.3	11.3	19.0	20.6	26.2	3.2	21.8	18.2
UTP0128P	31.7	2.3	11.3	19.0	20.6	26.2	3.2	21.8	18.2
UTP01412P	31.7	2.3	11.3	22.2	23.0	28.6	3.2	25.0	21.4
UTP01619P	31.7	2.3	11.3	25.3	24.6	31.0	3.2	28.1	24.6
UTP0187P	34.0	2.5	17.9	28.5	26.9	33.1	3.2	31.3	27.8
UTP01823P	31.7	2.5	11.3	28.5	26.9	33.3	3.2	31.3	27.8
UTP02028P	33.3	2.5	14.5	31.7	29.4	36.5	3.2	34.5	30.9
UTP02235P	33.3	3.5	14.5	34.9	31.6	39.7	3.2	37.7	34.1
UTP02448P	33.3	3.5	15.3	38.0	34.9	42.9	3.9	40.9	37.3

UTP0128P AS SHOWN

## MATERIAL

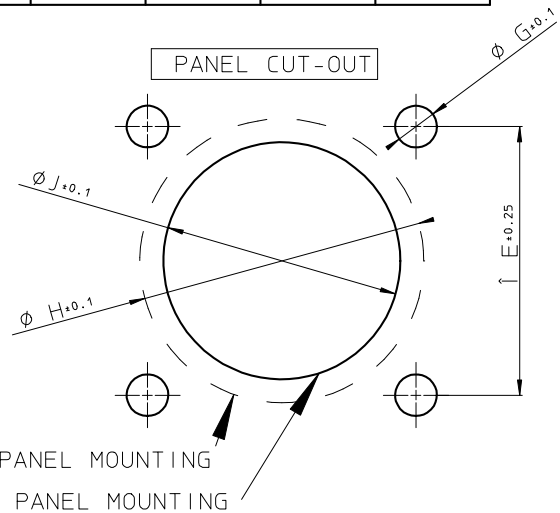
- BODY : GLASS-FILLED POLYESTER UL94-V0. COLOUR : BLACK

## PERFORMANCE CHARACTERISTICS

- OPERATING TEMPERATURE : -25 °C TO +125 °C.
- INSULATION RESISTANCE : 5000 MOhm MIN.
- TEST POTENTIAL : 2000 V EFF.

## NOTES

- CONNECTOR ACCEPTS N° 16 STRIP FORMED PIN, MACHINED PIN AND SUBMINATURE PIN AND SOCKET CONTACTS
- CONTACTS TO BE ORDERED SEPARATELY : REFER TO TRIM - TRIO CATALOG.
- FOR OTHER INSERT ARRANGEMENTS SEE BS,C ,201458,000
- MATING PART : UTP6----S
- THE CAVITY MARKING OF ALL SIZES IS WITH LETTERS, EXCEPT FOR THE ITEMS UTP0103P AND UTP0187P, THEY HAVE A NUMBERING.



GEN. ST.	01	02	03	04	05	06	07	08	0D	50	60	70	80	90																	
INT. ST.	10	11	12	13	14	18	20	31	32	33	34	38	39	40	42	43	44	45	46	48	56	70	72	73	75	76	81	82	83	84	88

1DEC ±0,2 2DEC ±0,1 ANGLES ±1° HOEKEN	APPR.	DATE	SIGN.	UTP MALE RECEPTACLE											
WE RESERVE THE RIGHT TO CHANGE DIMENSIONS OR REQUIREMENTS WITHOUT PRIOR NOTICE.	DRAFT	19-04-94	J.GOOSENS	CAT. No. UTP0----P											
ALL DIMENSIONS IN MM	PROD. MGR.													SCALE	
ALLE AFMETINGEN IN MM	PR.ENG.MGR.													1.7:1	
	PR.MGT.MGR.			REFERENCES / REFERENTIES											
				BS,A ,201766,001,02											
				DRAWING NR. CUSTOMER DRAWING											