

new

# UTO

Dynamic IP68 / IP69K  
High salt spray resistance  
RoHS compliant



## Metal circular connector

### Description

"UTO" industrial circular connectors are a range of multiway connectors available in 8 shell sizes and 8 insert arrangements all intermateable, interchangeable and intermountable with the TRIM TRIO "UTG" and "UTP" industrial connector families.

"UTO" is equipped with identical shells from military connectors complying to MIL-C-26482 spec.

Strong and rugged built to resist every environmental and mechanical requirement for indoor and outdoor applications.

Amongst several characteristics, "UTO" offers possibilities on: Shielding, High levels on sealing and salt spray. UTO is also the perfect solution to connect cat5e Ethernet applications in combination with other signals, using the same TRIM TRIO contacts (consult factory for more info).

### Features and benefits (see p2)

- Suitable for shielding applications
- Available in 8 shell sizes and 8 insert arrangements.
- Available in plug and receptacle versions for both male and female contacts.
- Different insert orientations possible.
- Plastic inserts with flammability rating: UL94-V0.
- **2 levels of water protection:** Dynamic IP67 and IP68 both versions are IP69K
- **2 levels of salt spray:** 48h and 96h Higher salt spray resistance (200/500h) upon request
- Cat5e Ethernet compatible. Can be combined with other signals offering the advantage to use same contacts (consult factory).
- UL recognition in process.
- Metal bayonet ring:
  - Metal wave spring loaded
  - Locks with audible positive "click"
  - Assures 500 matings and unmatings
- RoHS compliant

### Performance characteristics

Operating temp:	-40°C to +105°C
Insulation resistance:	5000 MΩ min.
Test potential:	2000 VAC
Durability:	500 matings and unmatings.
Vibration resistance:	Per MIL-STD202 method 204
Thermal shock:	Per MIL-STD202 method 207
Corrosion:	Salt spray per MIL-STD 202 method 101 48h (standard version) 96h (black anodised coupling ring)
Higher salt spray resistance (200/500h) upon request	
Shielding effectiveness:	95 dB at 1 Mhz
Degree of water protection per DIN 40050: Dynamic IP67 / IP68 / IP69K in mated condition and in combination with sealed back shell.	

### Construction

Shells:	Zinc alloy
Backshells and cable glands:	Brass
Coupling ring:	Aluminium alloy
Coupling spring:	Spring stainless steel
Insert:	Glass-filled thermoplast UL94-V0
RoHS compliant	

### Contact accommodation

- "UTO" connectors accept TRIM TRIO size 16 crimp-type removable snap-lock contacts (see contacts section)
- Contacts to be ordered separately.

### How to order

	UTO	0	14	12	P	-	H or H6	--	--
	UTO	6	14	12	S	-	H		
<b>Body variation:</b>		0 : Wall mounting receptacle 6 : Cable plug 7 : Jam nut receptacle for rear panel mounting							
<b>Shell size:</b>									
<b>Insert arrangement:</b>									
<b>Type of contacts:</b>		P : Pin contacts S : Socket contacts							
<b>Insert polarisation:</b>		No letter : Standard version W, X, Y, Z: Different orientations (consult factory)							
<b>Application:</b>		H : Standard version, water protected IP 67 & IP 69K H6 : Water protected IP 68 & IP 69K (only needed for wall mounting & jam nut receptacles)							
<b>Design variation:</b>		No letter : Standard version Others : Special versions							
<b>Plating:</b>		No letter : Standard is nickel plating (48h salt spray) 01: Black anodised jam nut (96h salt spray) 02: Black anodised coupling ring (96h salt spray)							

# New UTO-UTOW series



## New UTO – UTOW series:

- **The exclusive new product range in the TRIM TRIO broadline.**
- **Aesthetic and top class performances**

## UTO – UTOW series major technical features & benefits

### • Full metal bayonet connector

- Enabling 500 mating-unmating without wear out
- Secure locking device: audible “click” when mating

### • Dynamic IP68\*

Connector will remain IP68 even when:

- Pulling on the cable
- Bending the cable

- \* With appropriate back shell
- \* Exists also in IP67 version

### • Dynamic IP69K\*

Connector withstands high pressure water cleaning.

- \* With appropriate back shell

### • High salt spray resistance\*

- Can be used in severe environment

- \* Exists in 48 and 96 hours salt spray version
- \* Higher salt spray resistance (e.g. 200 or 500 hours) upon request

### • RoHS compliant

- Cadmium and lead free materials are used

### • In accordance with following standards

- UTO is Ethernet Cat5e compatible (consult factory)
- UTO-UTOW ranges are upgradeable to highspeed solutions

For detailed information on UTO and UTOW series offering see pages 21 to 31

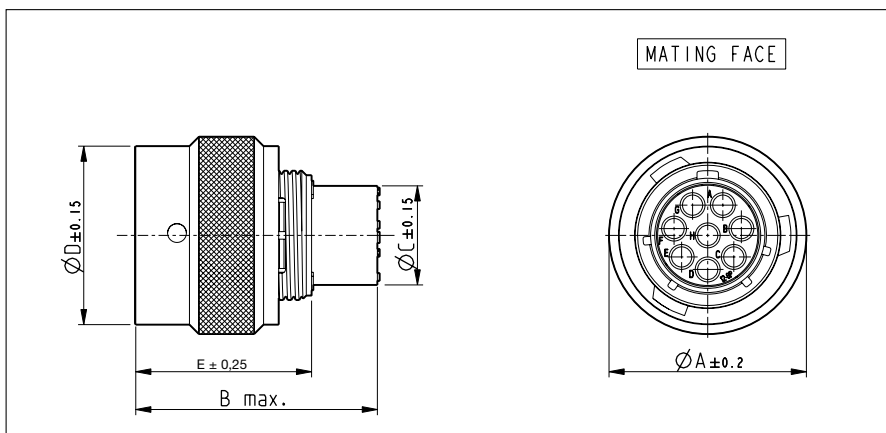
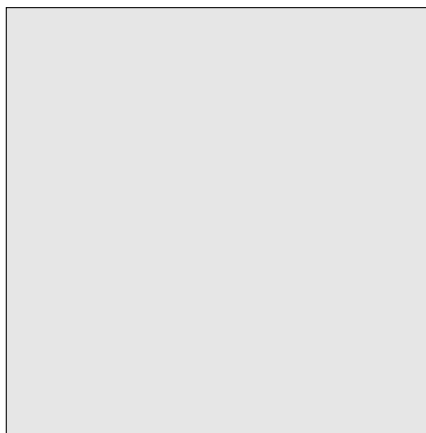
new

# UTO

Dynamic IP68 / IP69K  
High salt spray resistance  
RoHS compliant



## Cable plug for pin contacts (UT06- - - -PH)

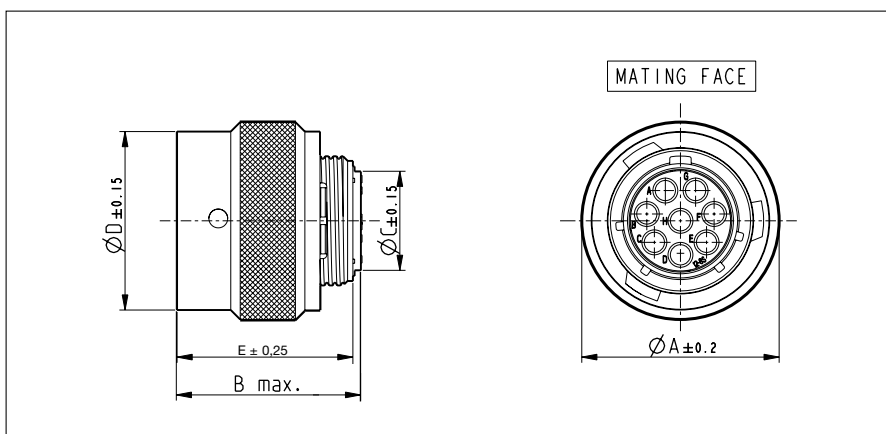


Part number	Shell size	$\varnothing A \pm 0.2$	B max.	$\varnothing C \pm 0.15$	$\varnothing D \pm 0.15$	E $\pm 0.25$
UT06104PH	10	21.80	33.00	10.2	20.00	23.25
UT06128PH	12	26.10		13.4	23.60	
UT061412PH	14	29.30		16.7	26.80	
UT061619PH	16	32.45		19.7	30.00	
UT061823PH	18	35.25		21.7	33.30	
UT062028PH	20	38.80	25.20	24.9	36.55	
UT062235PH	22	42.00		28.1	39.50	
UT062448PH	24	45.05		31.2	42.60	

Part numbers are suitable for both IP67 and IP68 water protection

For 96h salt spray version add "02" behind "H" e.g. UT061412PH02 (only bayonet ring will be black anodised)

## Cable plug for socket contacts (UT06- - - -SH)



Part number	Shell size	$\varnothing A \pm 0.2$	B max.	$\varnothing C \pm 0.15$	$\varnothing D \pm 0.15$	E $\pm 0.25$
UT06104SH	10	21.80	33.00	10.2	20.00	23.25
UT06128SH	12	26.10		13.4	23.60	
UT061412SH	14	29.30		16.7	26.80	
UT061619SH	16	32.45		19.7	30.00	
UT061823SH	18	35.25		21.7	33.30	
UT062028SH	20	38.80	27.30	24.9	36.55	25.20
UT062235SH	22	42.00		28.1	39.50	
UT062448SH	24	45.05		31.2	42.60	

Part numbers are suitable for both IP67 and IP68 water protection

For 96h salt spray version add "02" behind "H" e.g. UT061412SH02 (only bayonet ring will be black anodised)

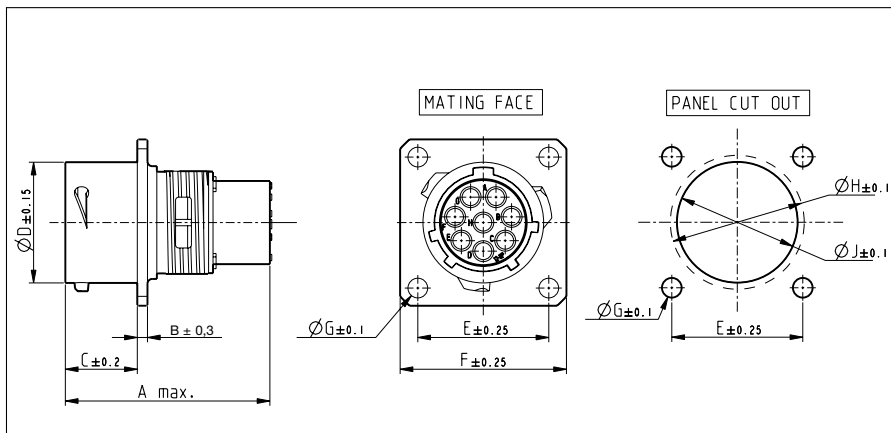
new

UTO

Dynamic IP68 / IP69K  
High salt spray resistance  
RoHS compliant



**Wall mounting receptacle for pin contacts (UT00---PH/PH6)**

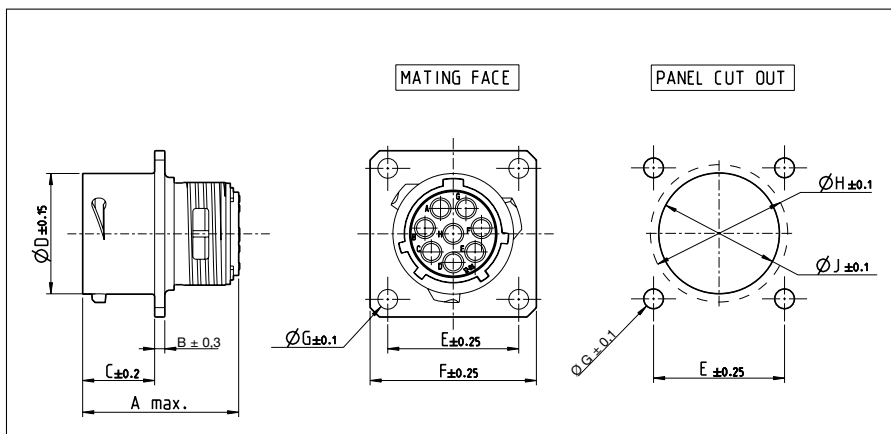


Part number		Shell size	A max.	B ± 0.3	C ± 0.2	Ø D ± 0.15	E ± 0.25	F ± 0.25	Ø G ± 0.1	Ø H ± 0.1	Ø J ± 0.1
IP67	IP68										
UT00104PH	UT00104PH6	10	33.23	1.6	11.35	15.0	18.3	23.8	3.2	17.3	14.2
UT00128PH	UT00128PH6	12				19.0	20.6	26.2		21.8	18.4
UT001412PH	UT001412PH6	14				22.2	23.0	28.6		25.0	21.5
UT001619PH	UT001619PH6	16				25.3	24.6	31.0		28.1	24.6
UT001823PH	UT001823PH6	18				28.5	26.9	33.3		31.3	27.8
UT002028PH	UT002028PH6	20	34.75	2.4	14.55	31.7	29.4	36.5	3.9	34.5	30.9
UT002235PH	UT002235PH6	22				34.9	31.8	39.7		37.7	34.1
UT002448PH	UT002448PH6	24				15.35	38.0	34.9		42.9	40.9

Part numbers are suitable for both 48h and 96h salt spray.

A square sealing has to be ordered separately to guarantee a sealing with equipment. Refer to "Circular accessories" section (UTFD--).

**Wall mounting receptacle for socket contacts (UT00---SH/SH6)**



Part number		Shell size	A max.	B ± 0.3	C ± 0.2	Ø D ± 0.15	E ± 0.25	F ± 0.25	Ø G ± 0.1	Ø H ± 0.1	Ø J ± 0.1
IP67	IP68										
UT00104SH	UT00104SH6	10	25.20	1.6	11.35	15.0	18.3	23.8	3.2	17.3	14.2
UT00128SH	UT00128SH6	12				19.0	20.6	26.2		21.8	18.4
UT001412SH	UT001412SH6	14				22.2	23.0	28.6		25.0	21.5
UT001619SH	UT001619SH6	16				25.3	24.6	31.0		28.1	24.6
UT001823SH	UT001823SH6	18				28.5	26.9	33.3		31.3	27.8
UT002028SH	UT002028SH6	20	29.00	2.4	14.55	31.7	29.4	36.5	3.9	34.5	30.9
UT002235SH	UT002235SH6	22				34.9	31.8	39.7		37.7	34.1
UT002448SH	UT002448SH6	24				15.35	38.0	34.9		42.9	40.9

Part numbers are suitable for both 48h and 96h salt spray.

A square sealing has to be ordered separately to guarantee a sealing with equipment. Refer to "Circular accessories" section (UTFD--).

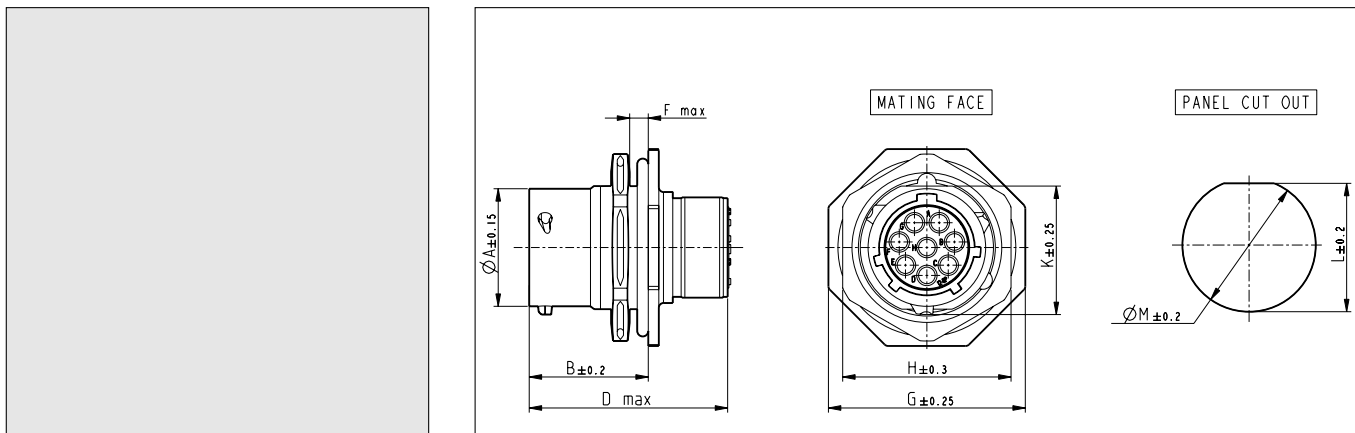
new

UTO

Dynamic IP68 / IP69K  
High salt spray resistance  
RoHS compliant



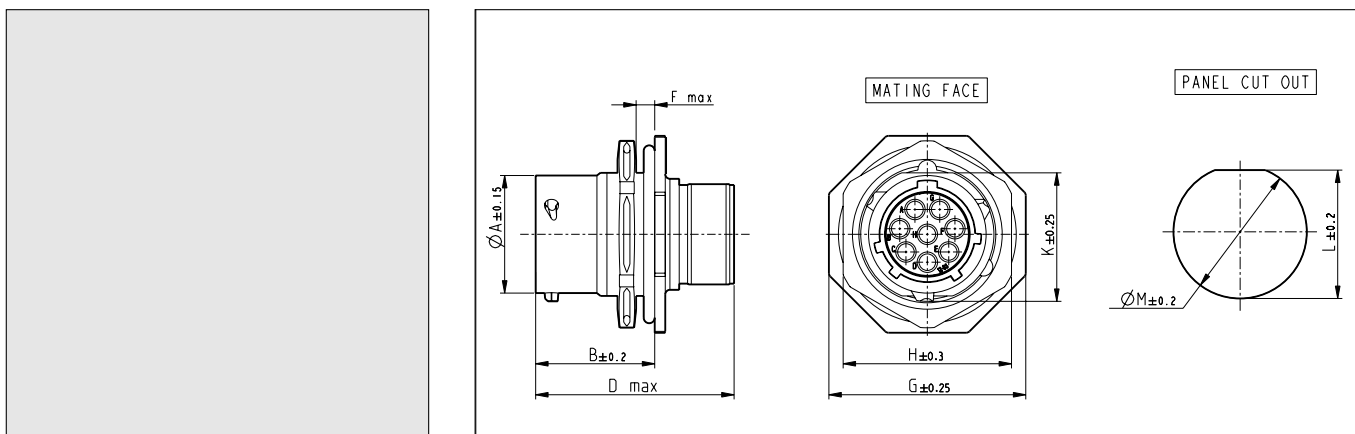
**Jam nut receptacle for pin contacts (UT07---PH/PH6) - suitable for rear panel mounting**



Part number		Shell size	Ø A ± 0.15	B ± 0.2	D Max.	F Max.	G ± 0.25	H ± 0.3	K ± 0.25	L ± 0.2	Ø M ± 0.2
IP67	IP68										
UT07104PH	UT07104PH6	10	14.9	19.30	33.90	3.2	27.0	22.2	16.6	17.0	17.7
UT07128PH	UT07128PH6	12	19.0				31.8	27.0	20.8	21.2	22.5
UT071412PH	UT071412PH6	14	22.2				34.9	30.2	23.9	24.3	25.7
UT071619PH	UT071619PH6	16	25.3				38.1	33.3	27.1	27.5	28.7
UT071823PH	UT071823PH6	18	28.5				41.3	36.5	30.3	30.6	32.0
UT072028PH	UT072028PH6	20	31.7	24.70	39.00	6.4	46.1	39.7	33.4	33.8	35.2
UT072235PH	UT072235PH6	22	34.9				49.2	42.9	36.6	37.0	38.4
UT072448PH	UT072448PH6	24	38.0				25.50	40.50	53.4	46.0	39.8

For 96h salt spray version add "01" at the end of the part number e.g. UT071412PH601 (only jam nut will be black anodised)

**Jam nut receptacle for socket contacts (UT07---SH/SH6) - suitable for rear panel mounting**



Part number		Shell size	Ø A ± 0.15	B ± 0.2	D Max.	F Max.	G ± 0.25	H ± 0.3	K ± 0.25	L ± 0.2	Ø M ± 0.2
IP67	IP68										
UT07104SH	UT07104SH6	10	14.9	19.30	33.00	3.2	27.0	22.2	16.6	17.0	17.7
UT07128SH	UT07128SH6	12	19.0				31.8	27.0	20.8	21.2	22.5
UT071412SH	UT071412SH6	14	22.2				34.9	30.2	23.9	24.3	25.7
UT071619SH	UT071619SH6	16	25.3				38.1	33.3	27.1	27.5	28.7
UT071823SH	UT071823SH6	18	28.5				41.3	36.5	30.3	30.6	32.0
UT072028SH	UT072028SH6	20	31.7	24.70	39.00	6.4	46.1	39.7	33.4	33.8	35.2
UT072235SH	UT072235SH6	22	34.9				49.2	42.9	36.6	37.0	38.4
UT072448SH	UT072448SH6	24	38.0				25.50	40.50	53.4	46.0	39.8

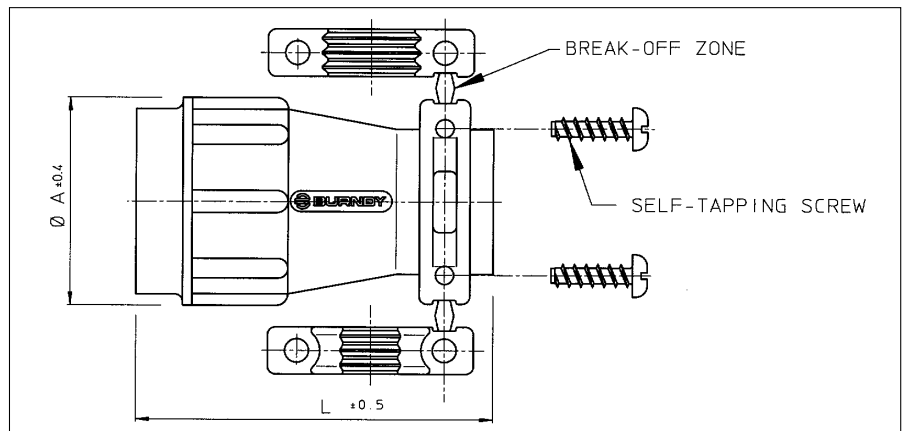
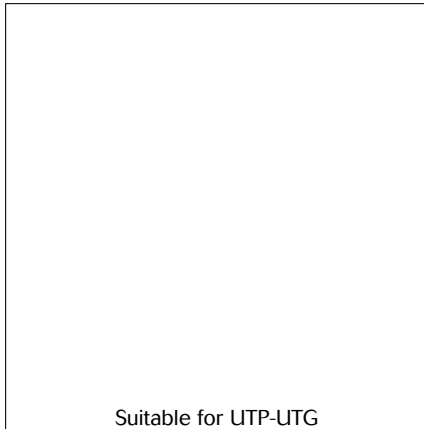
For 96h salt spray version add "01" at the end of the part number e.g. UT071412PH601 (only jam nut will be black anodised)



# Circular accessories



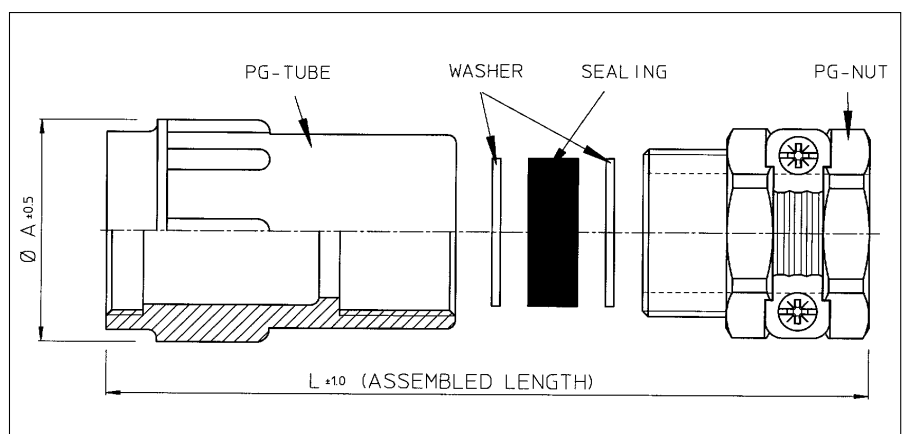
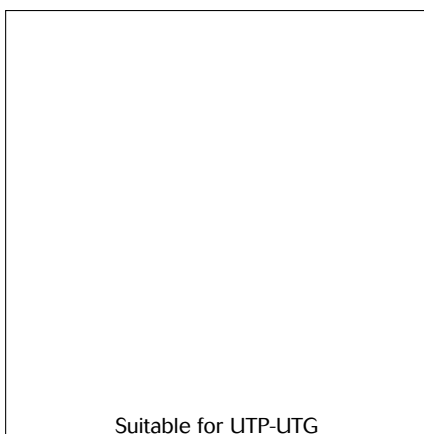
## Plastic cable clamp with strain relief (UTG--AC)



Part number	Shell size	Cable range Ø	Ø A ± 0.4	L ± 0.5
UTG10AC	10	3.0 - 8.7	21.0	40.0
UTG12AC	12	3.0 - 12.8	24.0	40.0
UTG14AC	14	4.0 - 13.8	27.0	46.0
UTG16AC	16	5.0 - 17.0	30.2	46.0
UTG18AC	18	5.0 - 19.0	33.3	50.0
UTG20AC	20	5.0 - 21.0	36.5	55.0
UTG22AC	22	5.0 - 23.0	39.7	60.0
UTG24AC	24	8.0 - 27.0	42.9	65.0

For threading specifications see last page of this section "Circular accessories"

## Plastic cable clamp with strain relief nut for waterprotected (IP65) applications (UTG--PG)

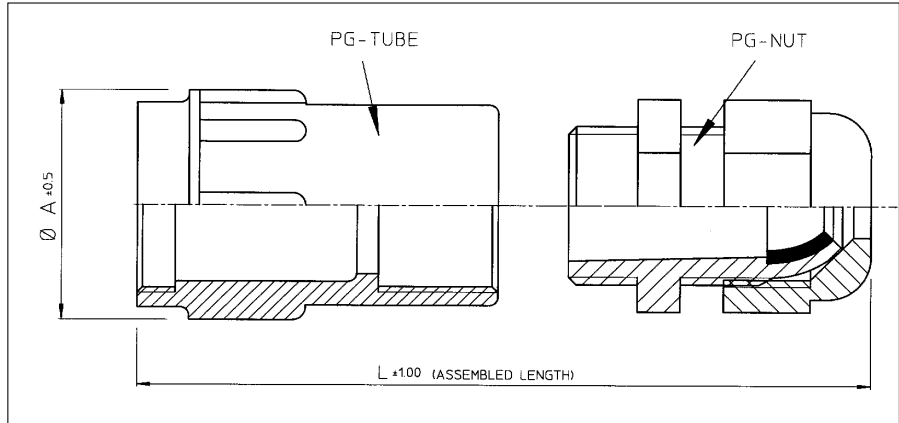
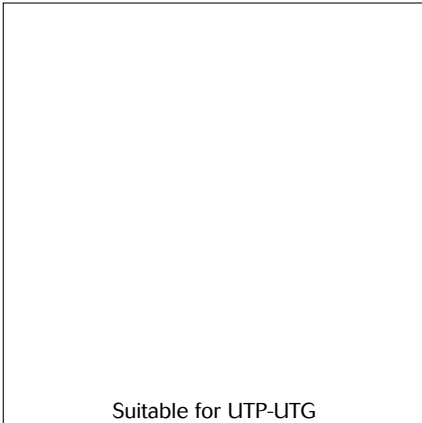


Part number	Shell size	Sealing* outer dia x inner dia's	L ± 1	A ± 0.5
UTG10PG	10	13.5 x 5 x 8	54	21.0
UTG12PG	12	16 x 7 x 10.5 x 13 x 16	57	24.0
UTG14PG	14	18.5 x 7 x 10.5 x 13 x 16	62	27.0
UTG16PG	16	20.5 x 8 x 10.5 x 13 x 16	68	30.2
UTG18PG	18	20.5 x 8 x 10.5 x 13 x 16	71	33.3
UTG20PG	20	26 x 11 x 15 x 18 x 22	82	36.5
UTG22PG	22	26 x 11 x 15 x 18 x 22	88	39.7
UTG24PG	24	35 x 19 x 23 x 27 x 31	103	42.9

\*In order to accommodate different cable dia's, the sealing exists of different layers which can be pulled out easily. Cable clamp has a PG style cable gland. For threading specifications see last page of this section "Circular accessories"



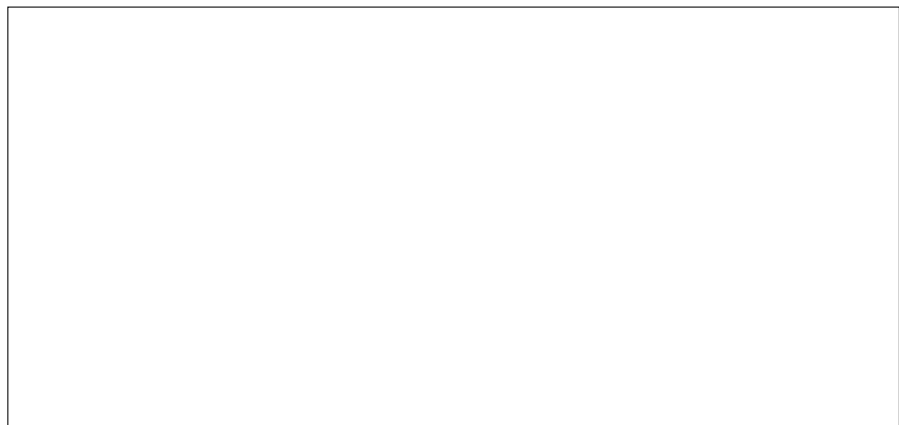
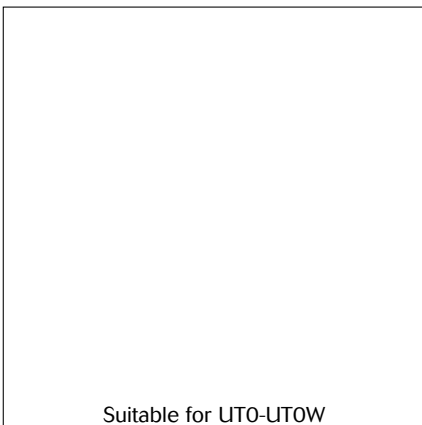
## Plastic cable clamp with strain relief nut for waterprotected (IP65) applications (UTG--ST)



Part number	Shell size	Cable range	Dia. A ±0.5	L ±1
UTG10ST	10	2 - 6	21.0	64
UTG12ST	12	3 - 7	24.0	64
UTG14ST	14	6 - 9	27.0	69
UTG16ST	16	7 - 12	30.2	72
UTG18ST	18		33.3	76
UTG20ST	20	9 - 16	36.5	80
UTG22ST	22		39.7	86
UTG24ST	24	13 - 20	42.9	91

Cable clamp has a PG style cable gland. For threading specifications see last page of this section "Circular"

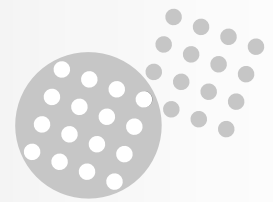
## Metal cable clamp with strain relief (UT0--AC)



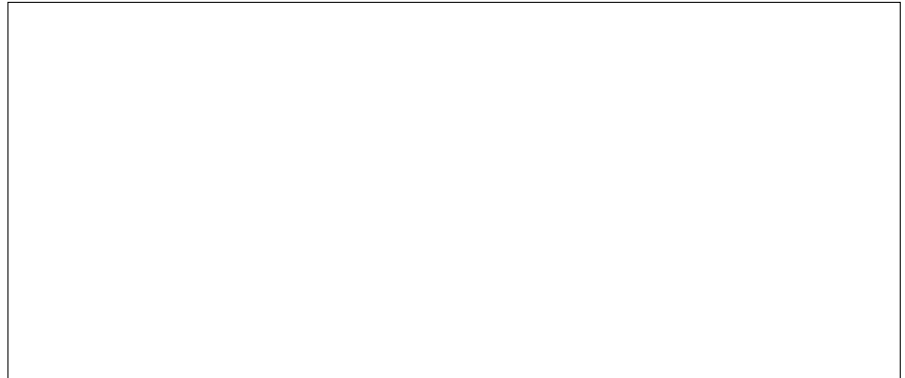
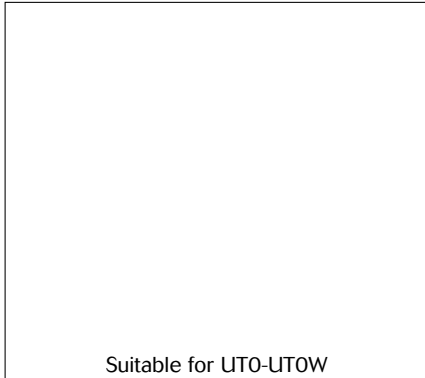
Part number	Shell size	Max cable dia. Excl. sealing	Ø A ±0.2	B maxi	C maxi
UT010AC	10	5.0	16.3	21.6	31.0
UT012AC	12	8.2	19.4	25.0	31.5
UT014AC	14	10.0	22.5	27.4	34.0
UT016AC	16	13.0	25.8	29.4	34.0
UT018AC	18	16.0	29.2	35.2	31.4
UT020AC	20	16.0	32.5	35.2	32.0
UT022AC	22	19.3	35.7	41.1	31.0
UT024AC	24	20.6	38.8	42.4	31.0

For threading specifications see last page of this section "Circular accessories"





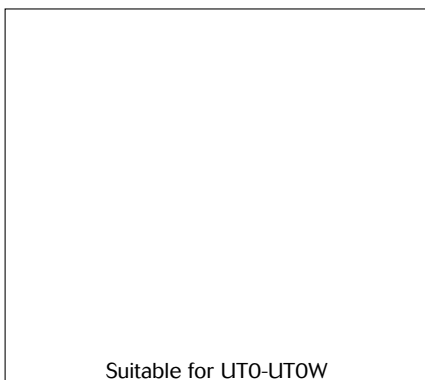
**Short cable clamp with strain relief nut for waterprotected applications (IP68). (UT0--JCS)**  
**Long cable clamp with strain relief nut for waterprotected applications (IP68). (UT0--JC)**



Part number		Shell size	Clamping range (Ø en mm) min / max	L± 1		Thread A
Short version	Long version			Short version	Long version	
UT010JCS	UT010JC	10	03 / 06	48.5	60.5	9/16 – 24 UNEF Class 2A
UT012JCS	UT012JC	12	06 / 10	49.5	61.5	11/16 – 24 UNEF Class 2A
UT014JCS	UT014JC	14	06 / 10	53.5	67.5	13/16 – 20 UNEF Class 2A
UT016JCS	UT016JC	16	9.5 / 14	62.5	73.5	15/16 – 20 UNEF Class 2A
UT018JCS	UT018JC	18	9.5 / 14	65.5	76.0	1" 1/16 – 18 UNEF Class 2A
UT020JCS	UT020JC	20	11.5 / 18	70.5	84.0	1" 3/16 – 18 UNEF Class 2A
UT022JCS	UT022JC	22	11.5 / 18	76.5	88.0	1" 5/16 – 18 UNEF Class 2A
UT024JCS	UT024JC	24	11.5 / 18	82.0	92.0	1" 7/16 – 18 UNEF Class 2A

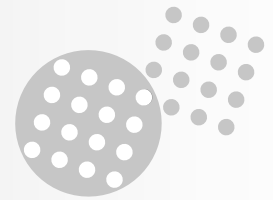
Cable clamp has a Metric style cable gland. For threading specifications see last page of this section "Circular accessories"

**Short cable clamp with large strain relief nut for waterprotected applications (IP68). (UT0--JCSL)**  
**Long cable clamp with large strain relief nut for waterprotected applications (IP68). (UT0--JCL)**

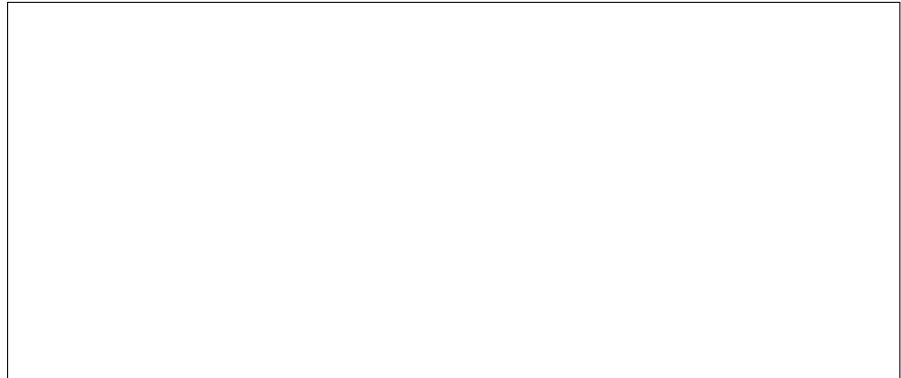
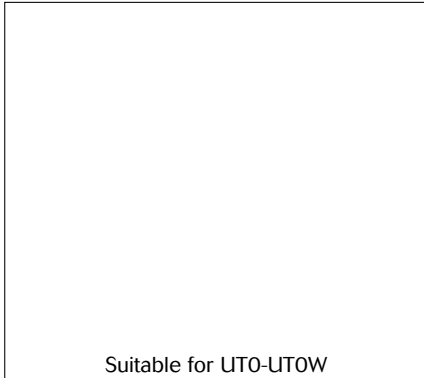


Part number		Shell size	Clamping range (Ø en mm) min / max	L± 1		Thread A
Short version	Long version			Short version	Long version	
UT010JCSL	UT010JCL	10	05 / 08	49.5	61.5	9/16 – 24 UNEF Class 2A
UT012JCSL	UT012JCL	12	08 / 12	49.5	62.5	11/16 – 24 UNEF Class 2A
UT014JCSL	UT014JCL	14	08 / 12	54.5	68.5	13/16 – 20 UNEF Class 2A
UT016JCSL	UT016JCL	16	11.5 / 18	68.5	79.5	15/16 – 20 UNEF Class 2A
UT018JCSL	UT018JCL	18	11.5 / 18	71.5	82.0	1" 1/16 – 18 UNEF Class 2A
UT020JCSL	UT020JCL	20	15 / 24	77.5	91.0	1" 3/16 – 18 UNEF Class 2A
UT022JCSL	UT022JCL	22	15 / 24	83.5	95.0	1" 5/16 – 18 UNEF Class 2A
UT024JCSL	UT024JCL	24	15 / 24	89.0	99.0	1" 7/16 – 18 UNEF Class 2A

Cable clamp has a Metric style cable gland. For threading specifications see last page of this section "Circular accessories"



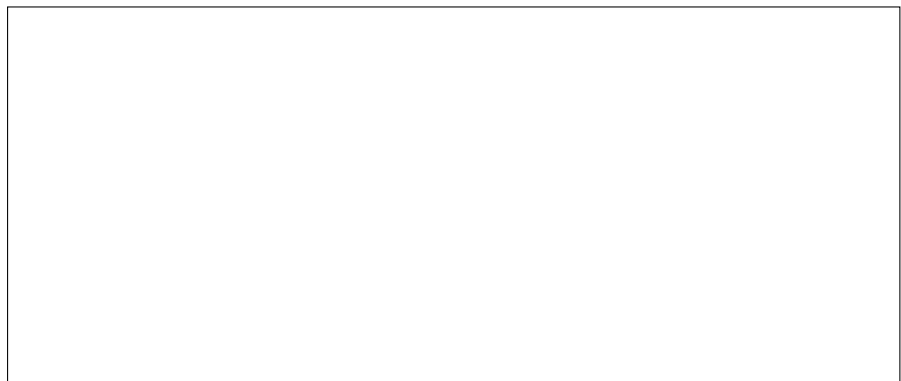
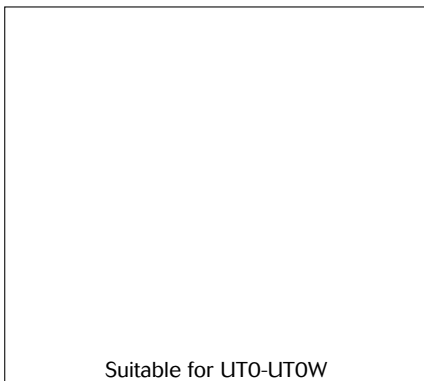
**Short shielded cable clamp with strain relief nut for waterprotected applications (IP68). (UT0S----JCS)**  
**Long shielded cable clamp with strain relief nut for waterprotected applications (IP68). (UT0S----JC)**



Part number		Shell size	Clamping range (Ø en mm) min / max	L± 1		Thread A
Short version	Long version			Short version	Long version	
UT0S10JCS	UT0S10JC	10	04 / 6.5	58.5	70.5	9/16 – 24 UNEF Class 2A
UT0S12JCS	UT0S12JC	12	07 / 10.5	61.5	74.5	11/16 – 24 UNEF Class 2A
UT0S14JCS	UT0S14JC	14	07 / 10.5	66.5	80.5	13/16 – 20 UNEF Class 2A
UT0S16JCS	UT0S16JC	16	10 / 14.5	72.5	83.5	15/16 – 20 UNEF Class 2A
UT0S18JCS	UT0S18JC	18	10 / 14.5	75.5	86.0	1" 1/16 – 18 UNEF Class 2A
UT0S20JCS	UT0S20JC	20	13.5 / 18	84.5	97.5	1" 3/16 – 18 UNEF Class 2A
UT0S22JCS	UT0S22JC	22	13.5 / 18	90.0	101.5	1" 5/16 – 18 UNEF Class 2A
UT0S24JCS	UT0S24JC	24	13.5 / 18	95.5	105.5	1" 7/16 – 18 UNEF Class 2A

Cable clamp has a Metric style cable gland. For threading specifications see last page of this section "Circular accessories"

**Short shielded cable clamp with large strain relief nut for waterprotected applications (IP68). (UT0S----JCSL)**  
**Long shielded cable clamp with large strain relief nut for waterprotected applications (IP68). (UT0S----JCL)**

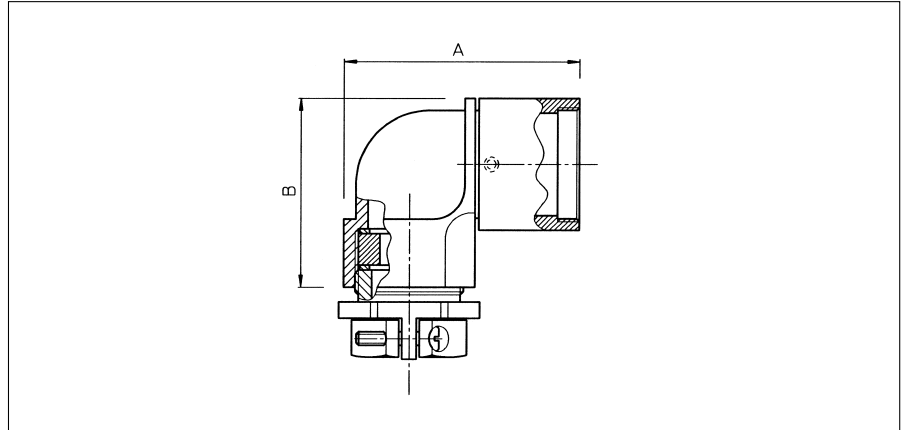
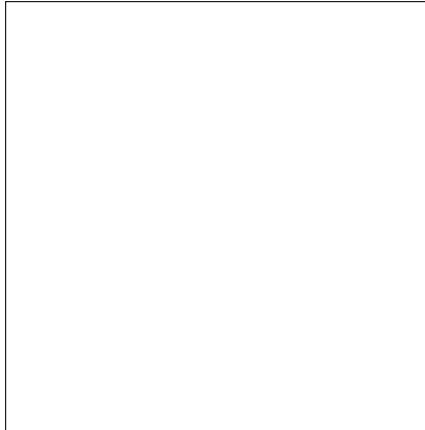


Part number		Shell size	Clamping range (Ø en mm) min / max	L± 1		Thread A
Short version	Long version			Short version	Long version	
UT0S10JCSL	UT0S10JCL	10	05 / 8.5	59.5	71.5	9/16 – 24 UNEF Class 2A
UT0S12JCSL	UT0S12JCL	12	08 / 12.5	61.5	74.5	11/16 – 24 UNEF Class 2A
UT0S14JCSL	UT0S14JCL	14	08 / 12.5	66.5	80.5	13/16 – 20 UNEF Class 2A
UT0S16JCSL	UT0S16JCL	16	13.5 / 18	82.5	93.5	15/16 – 20 UNEF Class 2A
UT0S18JCSL	UT0S18JCL	18	13.5 / 18	85.5	96.0	1" 1/16 – 18 UNEF Class 2A
UT0S20JCSL	UT0S20JCL	20	17 / 24	93.0	106.5	1" 3/16 – 18 UNEF Class 2A
UT0S22JCSL	UT0S22JCL	22	17 / 24	99.0	110.5	1" 5/16 – 18 UNEF Class 2A
UT0S24JCSL	UT0S24JCL	24	17 / 24	104.5	114.5	1" 7/16 – 18 UNEF Class 2A

Cable clamp has a Metric style cable gland. For threading specifications see last page of this section "Circular accessories"



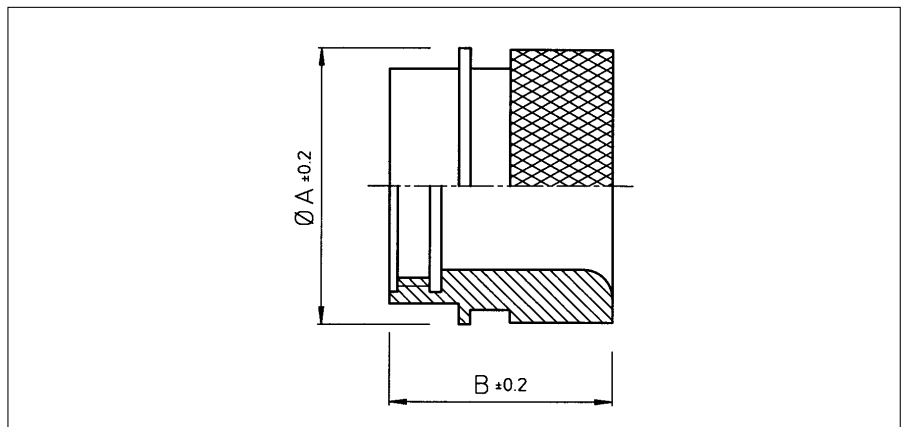
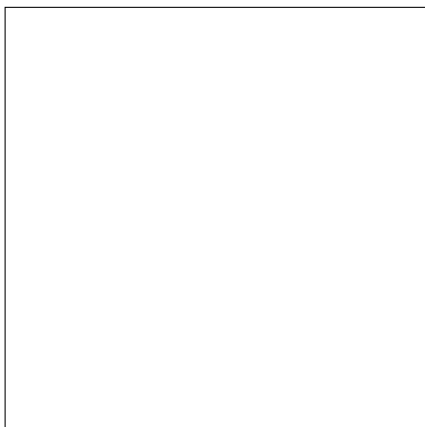
## Metal right angle cable clamp with strain relief nut (UTG--LPGN / UTO--LPGN)



Part number For UTP / UTG	Part number For UTO / UTOW	Shell size	A max	B max	Cable range
<b>UTG10LPGN</b>	<b>UT010LPGN</b>	<b>10</b>	48.0	30.0	13.5 x 5 x 8
<b>UTG12LPGN</b>	<b>UT012LPGN</b>	<b>12</b>	50.0	33.5	16 x 7 x 10.5 x 13
<b>UTG14LPGN</b>	<b>UT014LPGN</b>	<b>14</b>	52.0	36.5	18.5 x 7 x 10.5 x 13 x 16
<b>UTG16LPGN</b>	<b>UT016LPGN</b>	<b>16</b>	55.0	39.5	20.5 x 8 x 10.5 x 13 x 16
<b>UTG18LPGN</b>	<b>UT018LPGN</b>	<b>18</b>	60.0	46.0	20.5 x 8 x 10.5 x 13 x 16
<b>UTG20LPGN</b>	<b>UT020LPGN</b>	<b>20</b>	58.0	47.0	26 x 11 x 15 x 18 x 22
<b>UTG22LPGN</b>	<b>UT022LPGN</b>	<b>22</b>	58.0	48.5	26 x 11 x 15 x 18 x 22
<b>UTG24LPGN</b>	<b>UT024LPGN</b>	<b>24</b>	67.0	54.5	35 x 19 x 23 x 27 x 31

Cable clamp has a PG style cable gland. For threading specifications see last page of this section "Circular accessories"

## Metal shrink boot adaptor (UTG--AD) for UTP and UTG

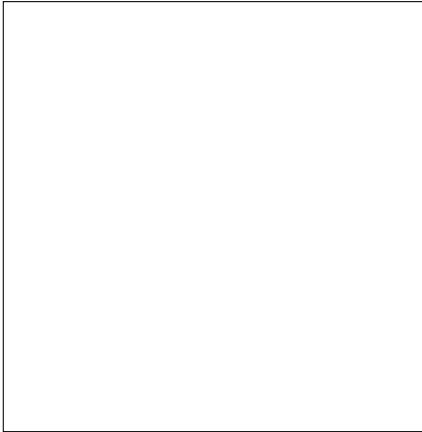


Part number	Shell size	$\varnothing A^{\pm 0.2}$	B
<b>UTG10AD</b>	<b>10</b>	21.0	19.2
<b>UTG12AD</b>	<b>12</b>	24.0	
<b>UTG14AD</b>	<b>14</b>	27.0	
<b>UTG16AD</b>	<b>16</b>	30.0	21.5
<b>UTG18AD</b>	<b>18</b>	33.3	
<b>UTG20AD</b>	<b>20</b>	36.5	22.8
<b>UTG22AD</b>	<b>22</b>	39.7	
<b>UTG24AD</b>	<b>24</b>	42.9	21.9

Standard plating is anodised black. For tin plating add "T" at the end of the part number e.g. UTG12ADT  
For threading specifications see last page of this section "Circular accessories"



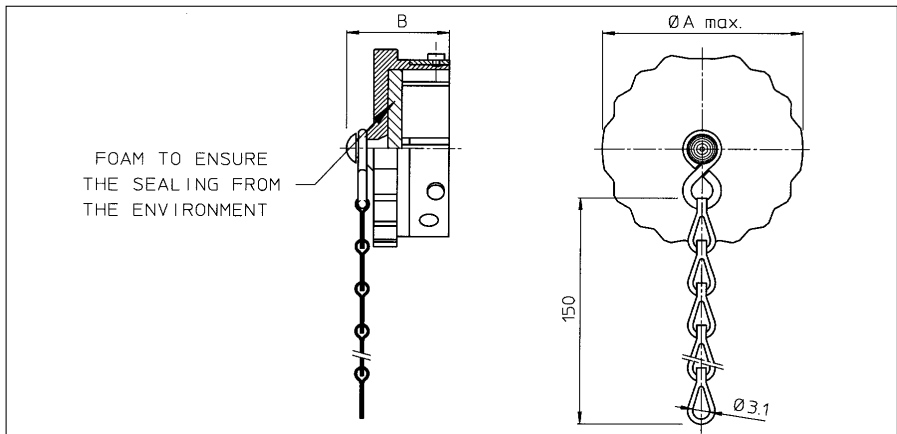
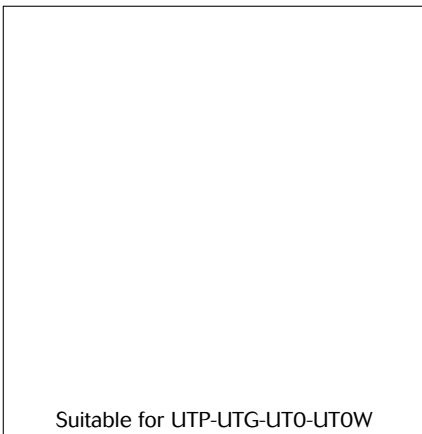
## Metal shrink boot adaptor for UTO and UTOW



Part number	Shell size	$\varnothing A^{\pm 0.2}$	B
UT010AD	10	21	24.7
UT012AD	12	24	
UT014AD	14	27	
UT016AD	16	30	27
UT018AD	18	33.3	
UT020AD	20	36.5	
UT022AD	22	39.7	
UT024AD	24	42.9	

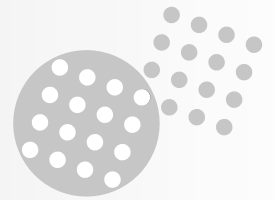
For threading specifications see last page of this section "Circular accessories"

## Environmental dustcap for plugs (UTG6--DCG)

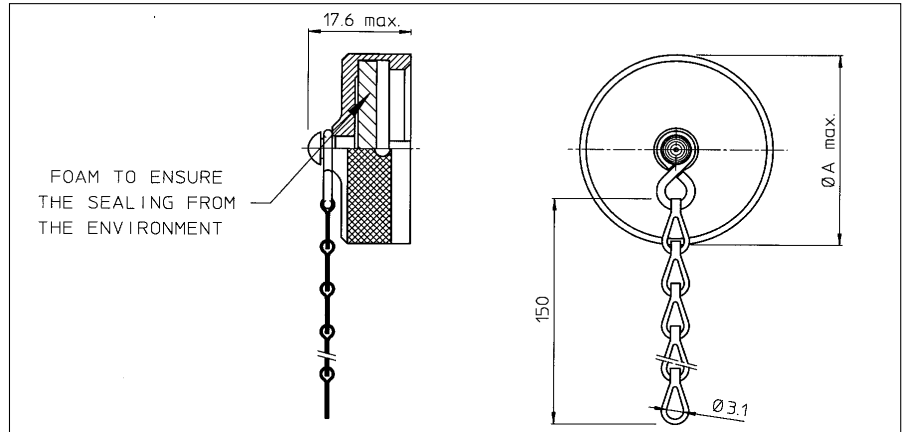
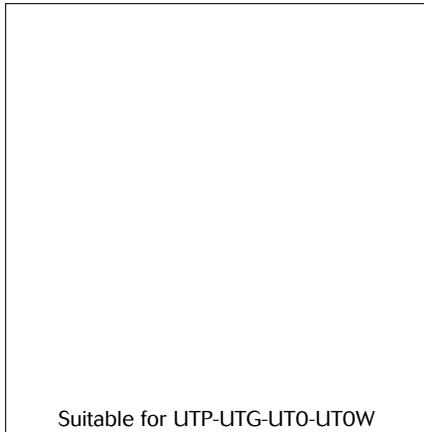


Part number	Shell size	A max.	B
UTG610DCG	10	20.0	20.8
UTG612DCG	12	24.0	
UTG614DCG	14	27.5	
UTG616DCG	16	30.5	22.5
UTG618DCG	18	33.5	
UTG620DCG	20	36.5	
UTG622DCG	22	40.0	
UTG624DCG	24	43.0	

For dustcap without chain skip "G" e.g. UTG612DC



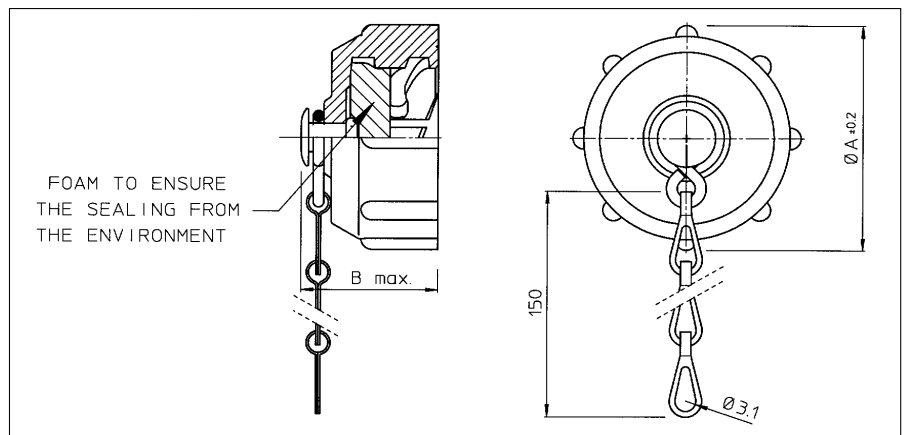
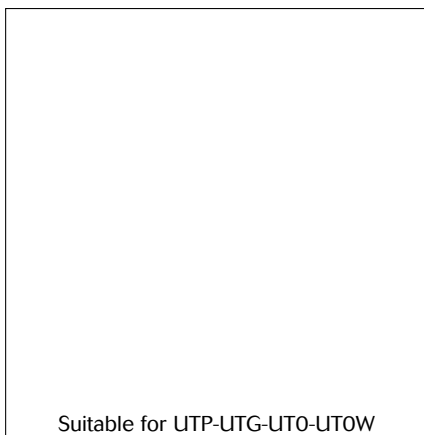
## Metal environmental dustcap for receptacles (UT0--DCG)



Part number	Shell size	A max.
UT010DCG	10	20.8
UT012DCG	12	24.9
UT014DCG	14	28.1
UT016DCG	16	31.3
UT018DCG	18	34.4
UT020DCG	20	37.6
UT022DCG	22	40.8
UT024DCG	24	43.9

For dustcap without chain skip "G" e.g. UTG12DC  
For jam dustcap consult factory

## Plastic environmental dustcap for receptacles (UTP--DCG)

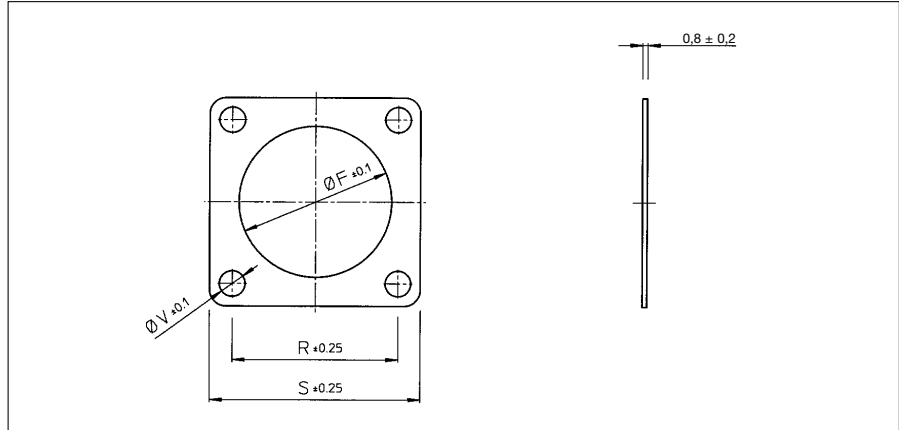
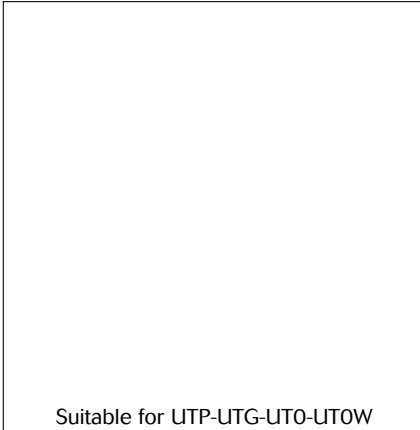


Part number	Shell size	Ø A ±0.2	B max.
UTP10DCG	10	26.7	19.3
UTP12DCG	12	31.4	20.0
UTP14DCG	14	34.5	20.2
UTP16DCG	16	37.8	
UTP18DCG	18	40.8	
UTP20DCG	20	43.9	
UTP22DCG	22	47.0	21.8
UTP24DCG	24	50.1	

For dustcap without chain skip "G" e.g. UTP12DC  
For jam dustcap consult factory

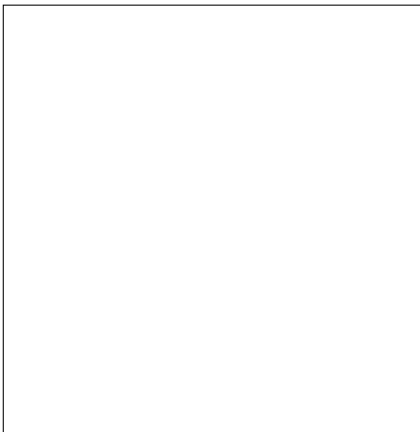


## Sealing for wall mounting receptacle (UTFD1-B)



Part number	Shell size	Ø F ±0.1	R ±0.25	S ±0.25	Ø V
UTFD12B	10	15.9	18.3	23.8	3.3
UTFD13B	12	19.0	20.6	26.2	
UTFD14B	14	22.2	23.0	28.6	
UTFD15B	16	25.4	24.6	31.0	
UTFD16B	18	28.6	27.0	33.3	
UTFD17B	20	31.8	29.4	36.5	
UTFD18B	22	34.9	31.8	39.7	
UTFD19B	24	38.1	34.9	42.9	4.0

## Adaptors for flexible cable protection systems (conduits)



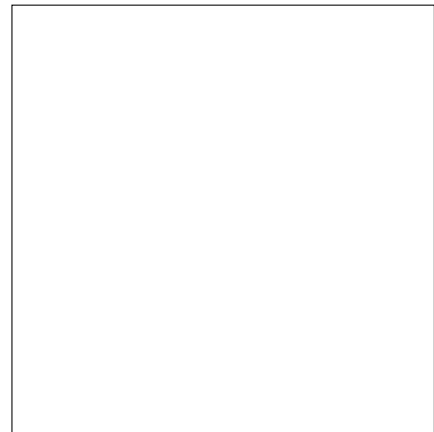
Adaptors for flexible cable protections systems that fit to the TRIM TRIO circular connectors are available from cable protection systems manufacturers (e.g. PMA).

2 solutions are offered:

- UNEF Adaptors that fit directly onto the connectors (left picture)
- METRIC Adaptors that fit onto the metal cable clamp tubes as indicated on pages 43 and 44 (right picture)

These types of adaptors offer extra protection to single wire applications (electrical, coax, Fibre optic ... etc.)

Note: the adaptors are not available from Souriau. They must be ordered directly from the manufacturers



## Cable gland threadings used on cable clamps

Shell size	Thread size on connectors	PG threading	Metric threading
10	9/16 - 24 UNEF	PG9	M16 x 1.5
12	11/16 - 24 UNEF	PG11	M20 x 1.5
14	13/16 - 20 UNEF	PG13.5	M20 x 1.5
16	15/16 - 20 UNEF	PG16	M25 x 1.5
18	1-1/16 - 18 UNEF	PG16	M25 x 1.5
20	1-3/16 - 18 UNEF	PG21	M32 x 1.5
22	1-5/16 - 18 UNEF	PG21	M32 x 1.5
24	1-7/16 - 18 UNEF	PG29	M32 x 1.5