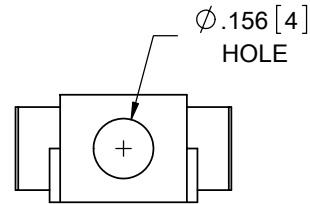
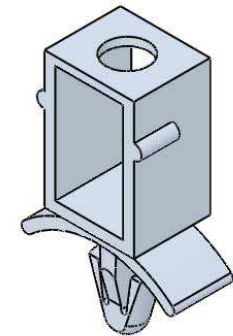
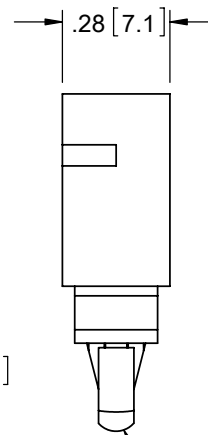
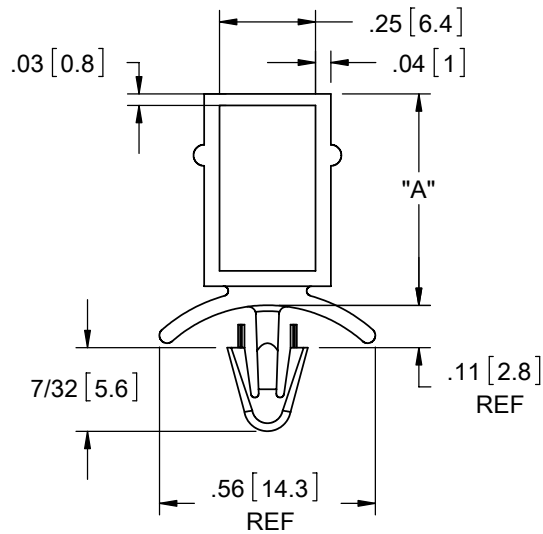


**AVAILABLE BY SPECIAL ORDER ONLY**



MATERIAL: NYLON 6/6 UL 94 V-2 (RMS-01) COLOR: NATURAL PART NO.	MATERIAL: NYLON 6/6 UL 94 V-0 (RMS-19) COLOR: NATURAL PART NO.	"A"±.015 [0.4]
CBSS-8-01	CBSS-8-19	.43 [10.9]
CBSS-10-01	CBSS-10-19	.55 [14]
CBSS-12-01	CBSS-12-19	.68 [17.3]
CBSS-14-01	CBSS-14-19	.80 [20.3]



TO SNAP-LOCK IN A .156±.003  
[4±0.08] DIA. HOLE, IN A  
.031-.078 [0.79-1.98] PANEL THICKNESS

**NOTE:** WHEN USED IN STACKING APPLICATION,  
RECOMMENDED MAX. PANEL THICKNESS  
BETWEEN CBSS PARTS IS .070 [1.78]

**NOTES:**  
1. ALTERNATE UNITS FOR REFERENCE ONLY

TITLE: <b>CIRCUIT BOARD STACKING SPACERS</b>					DWG IN IN [MM]	
CREATED USING SOLIDWORKS	FILE #: CBSS	DWN: SK	APP: RT	FINAL		
TOLERANCES UNLESS NOTED XX=±.010 XXX=±.005 FRAC.=±1/64 ANG.=±1°	SHEET: 1 OF 1	SHEET SIZE: A	DT: 11/29/06	CHKD: DZ	PART #	PRINT TYPE
RE: RICHCO, INC.	RICHCO, INC. ENG@RICHCO-INC.COM (773) 539-4060		SEE TABLE		CA	

D	REDRAWN, SEE ECN #1258 FOR CHANGES	SK	12/05/06
-	SEE ENGINEERING FOR REVISIONS A-C	---	----
REV.	DESCRIPTION	ENGR.	DATE