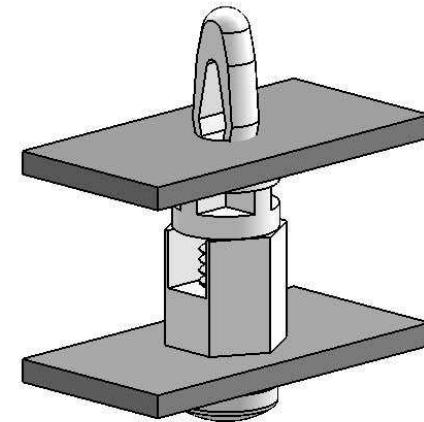


MATERIAL: NYLON 6/6
UL94 V-2 (RMS-01),
COLOR NATURAL.
PART NO.

MATERIAL: NYLON 6/6
UL94 V-0 (RMS-19),
COLOR NATURAL.
PART NO.

"A" \pm .015

CBS-TF-6-01	CBS-TF-6-19	3/8 [9.5]
CBS-TF-8-01	CBS-TF-8-19	1/2 [12.7]
CBS-TF-10-01	CBS-TF-10-19	5/8 [15.9]
CBS-TF-12-01	CBS-TF-12-19	3/4 [19.1]
CBS-TF-14-01	CBS-TF-14-19	7/8 [22.2]
CBS-TF-16-01	CBS-TF-16-19	1 [25.4]



NOTES:
1. THREAD M4 AVAILABLE BY SPECIAL ORDER. TO ORDER
ADD "-M4" TO PART NO. EXAMPLE: CBS-TF-M4-8-XX

TITLE: CBS THREADED FEMALE		UNITS= IN [MM]		FINAL	
CREATED USING SOLIDWORKS	FILE #: CBS-TF	DWN: SK	APP: SK	PART #	
TOLERANCES UNLESS NOTED	SHEET: 1 OF 1	SHEET SIZE: A	DT: 09/23/11	CHKD: MJB	PRINT TYPE
XX= \pm .010	RE: RICHCO, INC.	RICHCO, INC.		SEE TABLE	CA
.XXX= \pm .005		WWW.RICHCO-INC.COM			
FRAC.= \pm 1/64					
ANG.= \pm 1°					

E	REDRAWN, SEE CO 200713	SK	09/23/11
-	SEE ENGINEERING FOR REV A TO D	---	----
REV.	DESCRIPTION	ENGR.	DATE