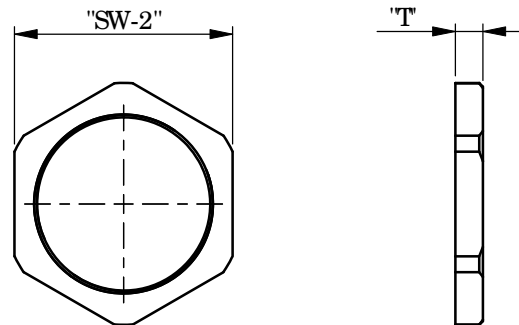
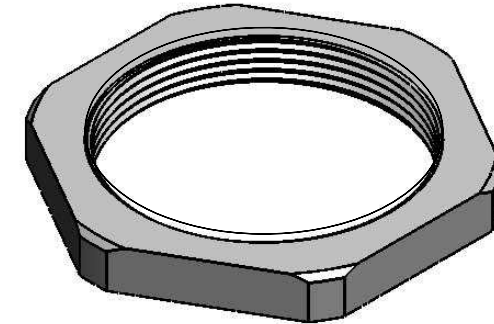


ALTERNATE UNITS FOR REFERENCE ONLY

REV.	MODIFICATION.	DATE	DRN
01	Production release	19/01/10	MT
02	CO2010958	15/07/10	MT

PARTNUMBER COLOUR: GREY RAL7035 SPECIAL ORDER NAFTA	PARTNUMBER COLOUR: BLACK RAL9005 SPECIAL ORDER EU	THREAD SIZE	"SW-2" ±0.5[.020]	'T' REF
CGIN-M12	CGIN-M12-BK	M12	17[.669]	5[.197]
CGIN-M16	CGIN-M16-BK	M16	22[.866]	
CGIN-M20	CGIN-M20-BK	M20	27[1.063]	6[.236]
CGIN-M25	CGIN-M25-BK	M25	32[1.260]	
CGIN-M32	CGIN-M32-BK	M32	41[1.614]	7[.276]
CGIN-M40	CGIN-M40-BK	M40	50[1.969]	
CGIN-PG7	CGIN-PG7-BK	PG7	19[.748]	5[.197]
CGIN-PG9	CGIN-PG9-BK	PG9	22[.866]	
CGIN-PG11	CGIN-PG11-BK	PG11	24[.945]	
CGIN-PG13.5	CGIN-PG13.5-BK	PG13.5	27[1.063]	6[.236]
CGIN-PG16	CGIN-PG16-BK	PG16	30[1.181]	
CGIN-PG21	CGIN-PG21-BK	PG21	36[1.417]	7[.276]
CGIN-PG29	CGIN-PG29-BK	PG29	46[1.811]	
CGIN-PG36	CGIN-PG36-BK	PG36	60[2.362]	8[.315]
*CGIN-NPT3/8	CGIN-NPT3/8-BK	NPT3/8	22[.866]	5[.197]
*CGIN-NPT1/2	CGIN-NPT1/2-BK	NPT1/2	27[1.063]	6[.236]
*CGIN-NPT3/4	CGIN-NPT3/4-BK	NPT3/4	36[1.417]	7[.276]
*CGIN-NPT1	CGIN-NPT1-BK	NPT1	42[1.654]	
*SPECIAL ORDER EU REGION				



NOTES:
TEMPERATURE RANGE -20 °C TO +100 °C

INFORMATION CONTAINED IN THIS DOCUMENT IS CONFIDENTIAL TO RICHCO INTERNATIONAL Co. Ltd. AND MAY NOT BE DISCLOSED OR REPRODUCED IN WHOLE OR PART WITHOUT THEIR WRITTEN CONSENT

RICHCO, INC. WWW.RICHCO-INC.COM	ALL DIMENSIONS IN mm[inch] GENERAL TOLERANCES UNLESS OTHERWISE STATED 1 DECIMAL PLACE ± 2 DECIMAL PLACES ± ANGULAR ±1°	THIRD ANGLE
MATERIAL: NYLON 6 GF30 (RMS-044)		COLOUR: SEE TABLE
DESCRIPTION: CABLE GLAND LOCKNUTS		PART No: CGIN-XX
DRG No: 09-112	NPR No: EU09-0034	SHEET SIZE A4
DRN MT	DATE 09/04/09	CHKD TC
DATE 08/10/09	SCALE NTS	SHEET No. 1 OF 1