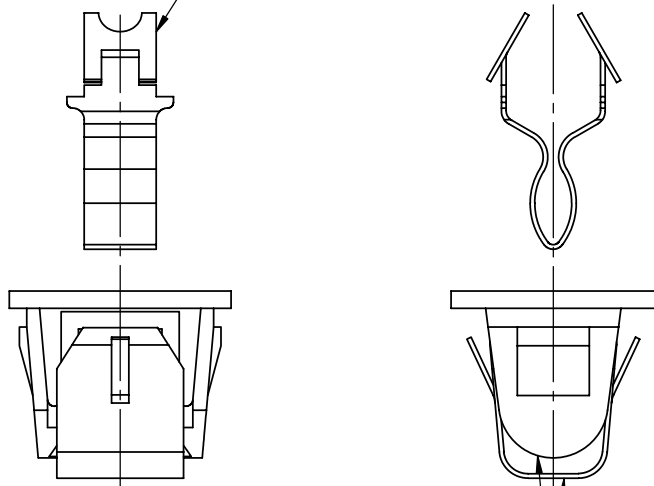
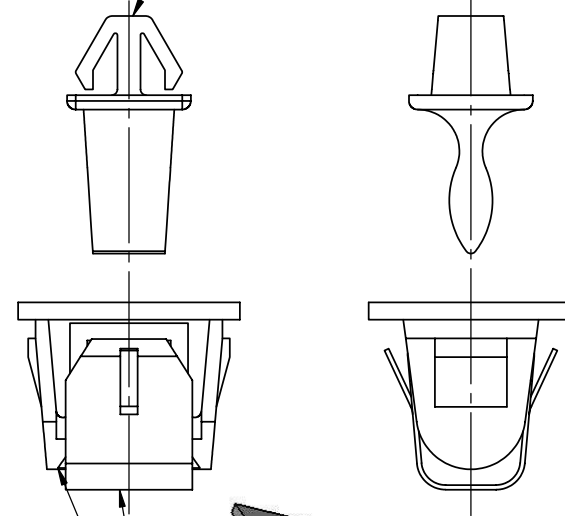


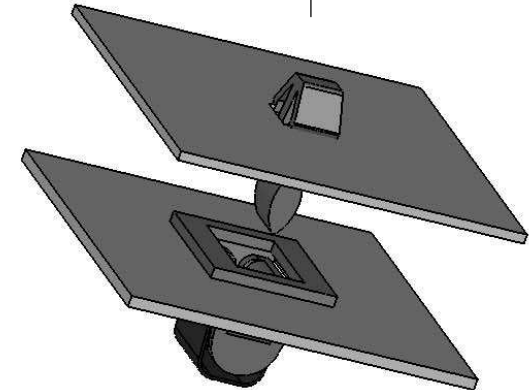
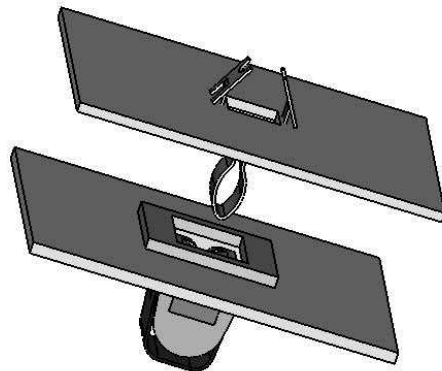
METAL STRIKER
DCS-4
TO SNAP-LOCK INTO A .287
[7.29] SQUARE HOLE, IN A
.032-.052 [0.81-1.32] PANEL THICKNESS



PLASTIC STRIKER
DCS-1
TO SNAP-LOCK INTO A .287
[7.29] SQUARE HOLE, IN A
.032-.052 [0.81-1.32] PANEL THICKNESS



CATCH ASSEMBLY
DCS-7
TO SNAP-LOCK INTO A .515 X .655
[13.08 X 16.64] RECTANGLE HOLE,
IN A .035-.062 [0.89-1.57] PANEL THICKNESS



TITLE: DOOR CATCH AND STRIKERS						DWG IN IN [MM]	
CREATED USING SOLIDWORKS	FILE #: DCS	DWN: SK	APP: DZ	FINAL			
TOLERANCES UNLESS NOTED .XX=±.010 .XXX=±.005 FRAC.=±1/64 ANG.=±1°	SHEET: 1 OF 1	SHEET SIZE: A	DT: 07/26/05	CHKD: SJ	PART #		PRINT TYPE
RE: RICHCO, INC.	RICHCO, INC. ENG@RICHCO-INC.COM (773) 539-4060		SEE DRAWING		CA		

A	SEE ECN #1033 FOR CHANGES	SK	07/27/05
REV.	DESCRIPTION	ENGR.	DATE