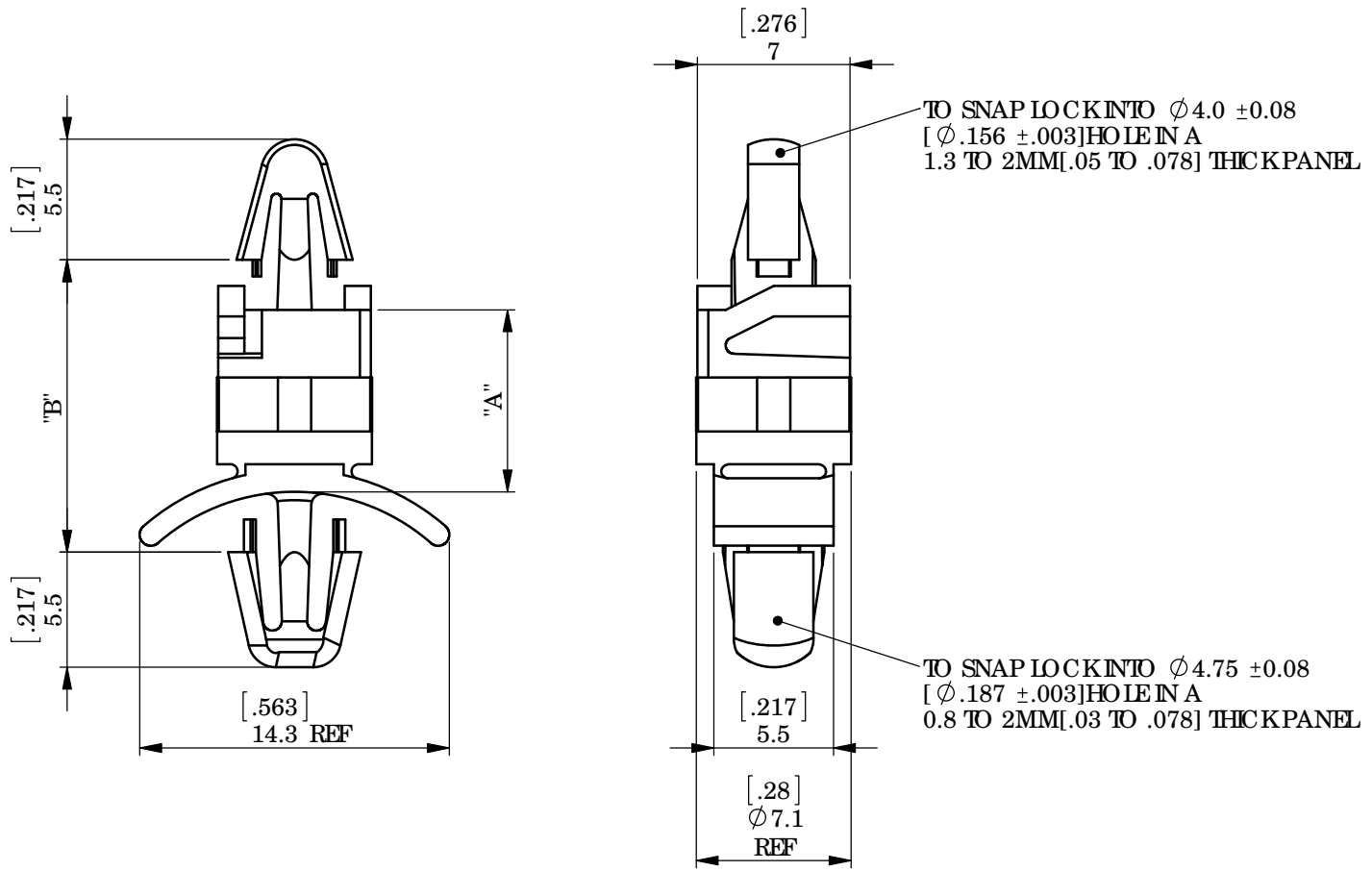


A B C D E F

REV.	MODIFICATION.	DATE	DRN
01	PRODUCTION RELEASE	24/05/11	SF
02	CO2011158	22/06/11	SF
03	CO2011182	01/08/11	SF



ALTERNATE UNITS FOR REFERENCE ONLY

INFORMATION CONTAINED IN THIS DOCUMENT IS CONFIDENTIAL TO RICHCO INTERNATIONAL Co. Ltd. AND MAY NOT BE DISCLOSED OR REPRODUCED IN WHOLE OR PART WITHOUT THEIR WRITTEN CONSENT

RICHCO, INC.
WWW.RICHCO-INC.COM

ALL DIMENSIONS IN mm
GENERAL TOLERANCES ±0.25
UNLESS OTHERWISE STATED
1 DECIMAL PLACE ±0.25
2 DECIMAL PLACES ±0.10
ANGULAR ±1°

THIRD ANGLE

MATERIAL: SEE TABLE COLOUR: NATURAL

DESCRIPTION: DUAL LOCKING CIRCUIT BOARD SUPPORT TYPE 4 PART No: DLC BS4

DRG No: 011-058 PROJECT NUMBER: EU10-0005 SHEET SIZE: A4

DRN: SF DATE: 24/05/11 CHKD: TC DATE: 24/05/11 SCALE: NTS SHEET No.: 1 OF 1

NYLON 6/6 UL94 V-2 (RMS-01)	NYLON 6/6 UL94 V-0 (RMS-19)	"A" STANDOFF HEIGHT ±0.4	"B" (REF)
DLC BS4-3.5-01	DLC BS4-3.5-19	5.5 [.217]	10.8 [.425]
DLC BS4-4-01	DLC BS4-4-19	6.1 [.240]	11.4 [.449]
DLC BS4-5-01	DLC BS4-5-19	9.1 [.358]	14.4 [.567]
DLC BS4-6-01	DLC BS4-6-19	12.4 [.488]	17.7 [.697]
DLC BS4-8-01	DLC BS4-8-19	18.8 [.740]	24.1 [.949]
DLC BS4-10-01	DLC BS4-10-19	21.9 [.862]	27.2 [1.071]

A B C D E F FORM No. 0145/02