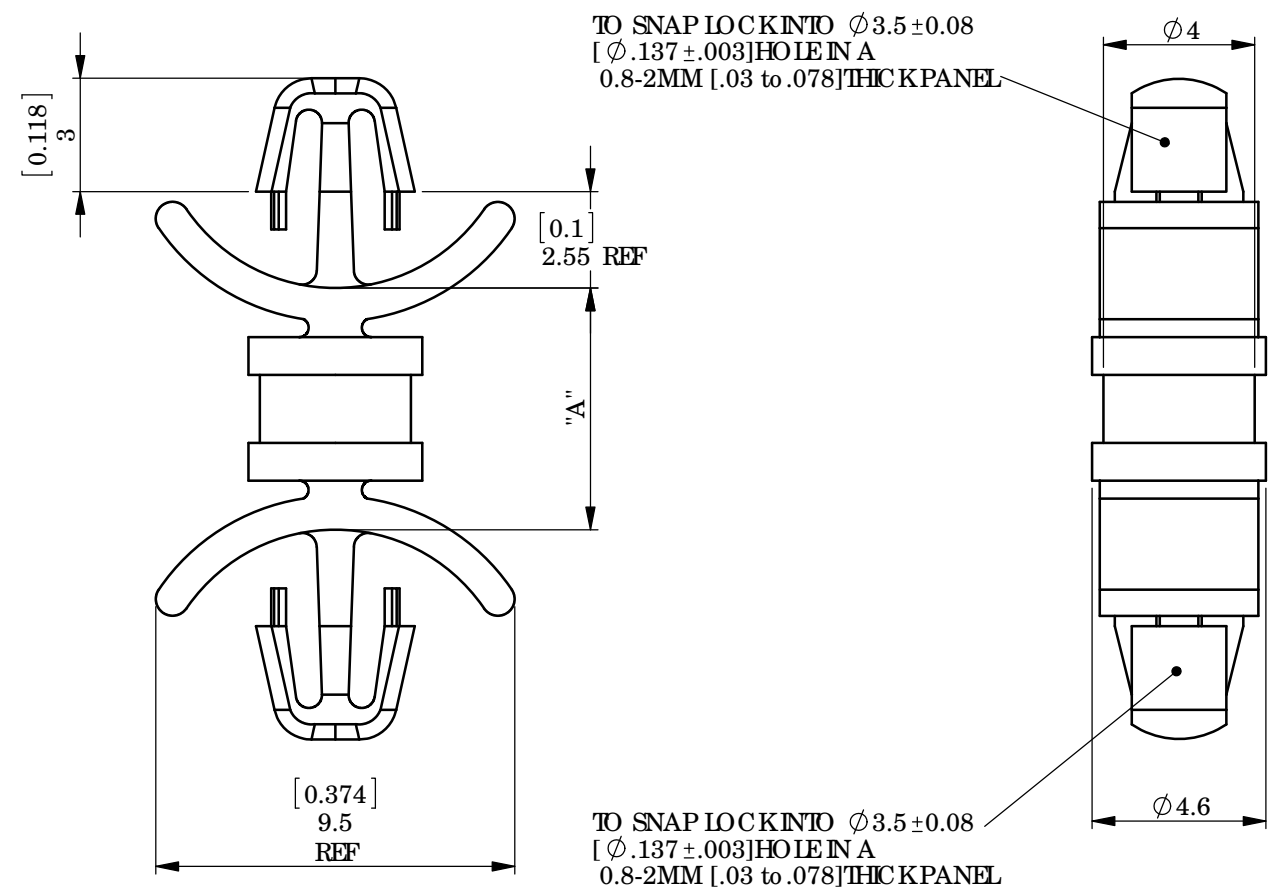


REV.	MODIFICATION.	DATE	DRN
01	PRODUCTION RELEASE	22/08/11	SF

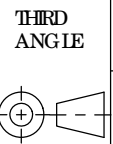


ALTERNATE UNITS FOR REFERENCE ONLY

INFORMATION CONTAINED IN THIS DOCUMENT IS CONFIDENTIAL TO RICHCO INTERNATIONAL Co. Ltd. AND MAY NOT BE DISCLOSED OR REPRODUCED IN WHOLE OR PART WITHOUT THEIR WRITTEN CONSENT

RICHCO, INC.
WWW.RICHCO-INC.COM

ALL DIMENSIONS IN mm
GENERAL TOLERANCES ± 0.25
UNLESS OTHERWISE STATED
1 DECIMAL PLACE \pm
2 DECIMAL PLACES \pm
ANGULAR $\pm 1^\circ$



NYLON 6/6 UL94 V-2 (RMS-01)	NYLON 6/6 UL94 V-0 (RMS-19)	"A" STANDOFF HEIGHT ± 0.4
DLC BS5-3-01	DLC BS5-3-19	4.8[.19]
DLC BS5-4-01	DLC BS5-4-19	6.4[.25]
DLC BS5-5-01	DLC BS5-5-19	7.9[.31]
DLC BS5-6-01	DLC BS5-6-19	9.5[.37]
DLC BS5-7-01	DLC BS5-7-19	11.1[.44]
DLC BS5-8-01	DLC BS5-8-19	12.7[.50]
DLC BS5-9-01	DLC BS5-9-19	14.3[.56]
DLC BS5-10-01	DLC BS5-10-19	15.9[.63]
COLOUR: NATURAL (OTHER COLOURS AVAILABLE BY SPECIAL ORDER)		

MATERIAL: SEE TABLE			COLOUR: SEE TABLE	
DESCRIPTION: DUAL LOCKING CIRCUIT BOARD SUPPORT TYPE 5			PART No: SEE TABLE	
DRG No: 011-086	DRG NAME: DLC BS5	NPR No: EU11-0013	SHEET SIZE A4	
DRN NB	DATE 22/08/11	CHKD SF/TC	DATE 22/08/11	SCALE NTS
			SHEET No. 1 OF 1	