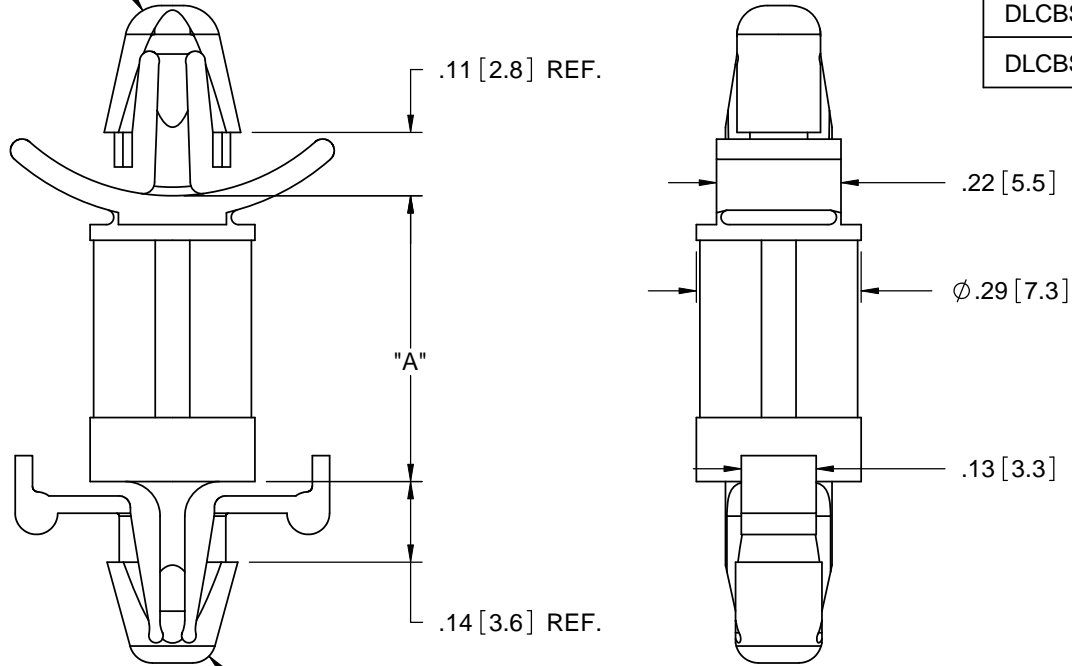
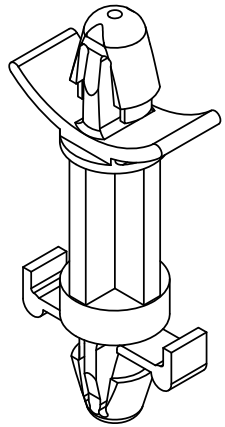


TO SNAP-LOCK INTO  $.187 \pm .003$   
 $[4.75 \pm 0.08]$  HOLE, IN A  $.031$  TO  $.078$   
 $[0.79$  TO  $1.98]$  THICK BOARD



TO SNAP-LOCK INTO  $.187 \pm .003$   
 $[4.75 \pm 0.08]$  HOLE, IN A  $.062 [1.57]$   
 THICK BOARD

PART NO.	"A" $\pm .015$
DLCBSRA3-6-01	3/8 [9.5]
DLCBSRA3-8-01	1/2 [12.7]
DLCBSRA3-10-01	5/8 [15.9]
DLCBSRA3-12-01	3/4 [19.1]
DLCBSRA3-14-01	7/8 [22.2]

**NOTES:**

- MATERIAL: NYLON 6/6 (RMS-01)  
 FLAME RETARDANT NYLON (RMS-19)  
 AVAILABLE BY SPECIAL ORDER ONLY
- COLOR: NATURAL

TITLE: DUAL LOCKING CBS W/ RELEASABLE BOTTOM						DWG IN IN [MM]	
CREATED USING SOLIDWORKS	FILE #: DLCBSRA3	DWN: S.J.	APP: SJ	FINAL			
TOLERANCES UNLESS NOTED .XX= $\pm .010$ .XXX= $\pm .005$ FRAC.= $\pm 1/64$ ANG.= $\pm 1^\circ$	SHEET: 1 OF 1	SHEET SIZE: A	DT: 2.2.04	CHKD: DJZ	PART #		PRINT TYPE
RE: RICHCO --	RICHCO, INC. ENG@RICHCO-INC.COM (773) 539-4060		SEE TABLE		CA		

REV.	DESCRIPTION	ENGR.	DATE
C	SEE CO 200435 FOR CHANGES	SK	09/11/09
B	SEE ECN#840 FOR CHANGE DETAIL	SM	08/27/04
A	RELEASED FOR PRODUCTION	SM	07/13/04