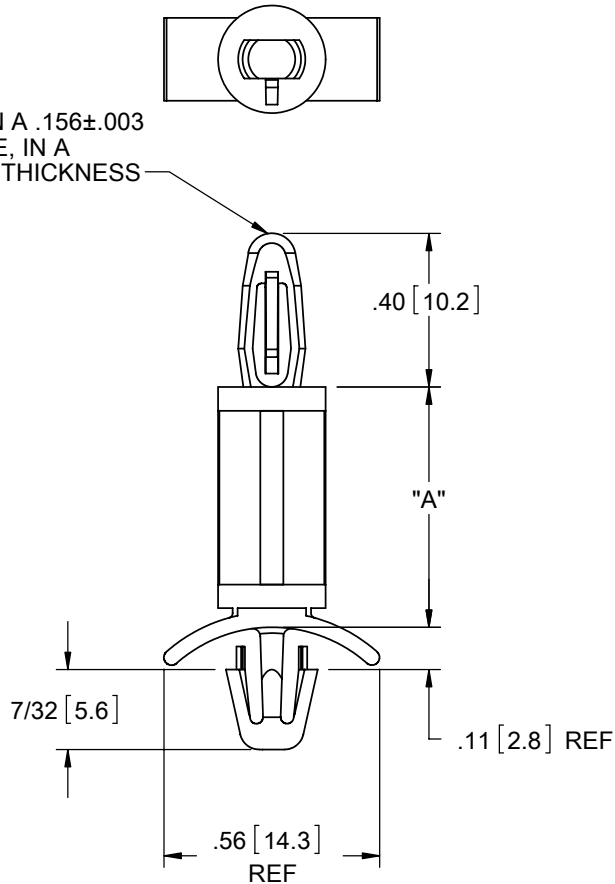
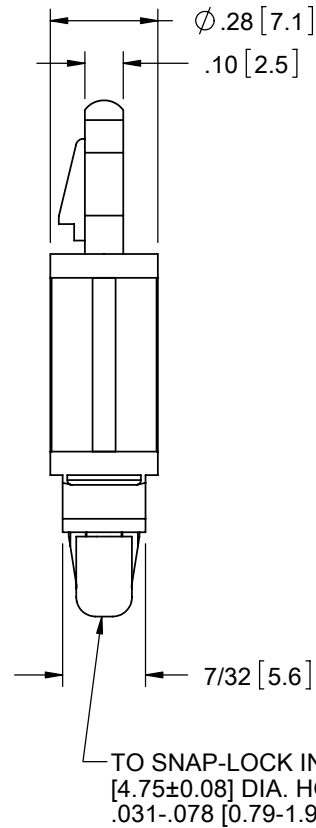


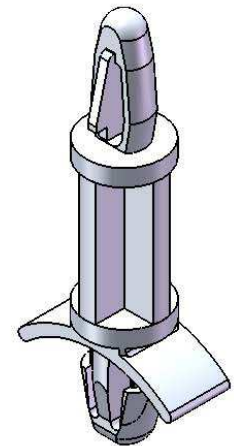
TO SNAP-LOCK IN A $.156 \pm .003$
 $[4 \pm 0.08]$ DIA. HOLE, IN A
 $.062 [1.57]$ PANEL THICKNESS



- NOTES:
1. MATERIAL: NYLON 6/6 UL 94 HB (RMS-73)
 COLOR: NATURAL,
 AVAILABLE BY SPECIAL ORDER ONLY.
 2. MATERIAL: NYLON 4/6 UL 94 V-2 (RMS-109)
 COLOR: NATURAL,
 AVAILABLE BY SPECIAL ORDER ONLY.
 3. ALTERNATE UNITS FOR REFERENCE ONLY.



| MATERIAL: NYLON 6/6 UL 94 V-2 (RMS-01) COLOR: NATURAL PART NO. | MATERIAL: NYLON 6/6 UL 94 V-0 (RMS-19) COLOR: NATURAL PART NO. | DIM. "A" $\pm .015 [0.4]$ |
|---|---|------------------------------|
| LCBS-3-01 | LCBS-3-19 | 3/16 [4.8] |
| LCBS-4-01 | LCBS-4-19 | 1/4 [6.4] |
| LCBS-5-01 | LCBS-5-19 | 5/16 [7.9] |
| LCBS-6-01 | LCBS-6-19 | 3/8 [9.5] |
| LCBS-7-01 | LCBS-7-19 | 7/16 [11.1] |
| LCBS-8-01 | LCBS-8-19 | 1/2 [12.7] |
| LCBS-10-01 | LCBS-10-19 | 5/8 [15.9] |
| LCBS-12-01 | LCBS-12-19 | 3/4 [19.1] |
| LCBS-14-01 | LCBS-14-19 | 7/8 [22.2] |
| LCBS-16-01 | LCBS-16-19 | 1 [25.4] |
| LCBS-18-01 | LCBS-18-19 | 1-1/8 [28.6] |
| LCBS-20-01 | LCBS-20-19 | 1-1/4 [31.7] |
| LCBS-22-01 | LCBS-22-19 | 1-3/8 [34.9] |



| REV. | DESCRIPTION | ENGR. | DATE |
|------|------------------------------------|-------|----------|
| F | REDRAWN, SEE ECN #1208 FOR CHANGES | SK | 11/29/06 |
| - | SEE ENGINEERING FOR REVISIONS A-E | --- | ---- |

| | | | | | | | | | |
|--|--|--|---|---------------------|----------------------------|-------------------------|-------------------------|--|--|
| TITLE: LOCKING CIRCUIT BOARD SUPPORT | | | | | | DWG IN IN [MM] FINAL | | | |
| CREATED USING SOLIDWORKS TOLERANCES UNLESS NOTED XX=±.010 .XXX=±.005 FRAC.=±1/64 ANG.=±1° | | FILE #: LCBS SHEET: 1 OF 1 SHEET SIZE: A | DWN: SK DT: 11/29/06 | APP: RT CHKD: SJ | PART # SEE TABLE | | PRINT TYPE CA | | |
| RE: RICHCO, INC. | | | RICHCO, INC. ENG@RICHCO-INC.COM (773) 539-4060 | | | | | | |